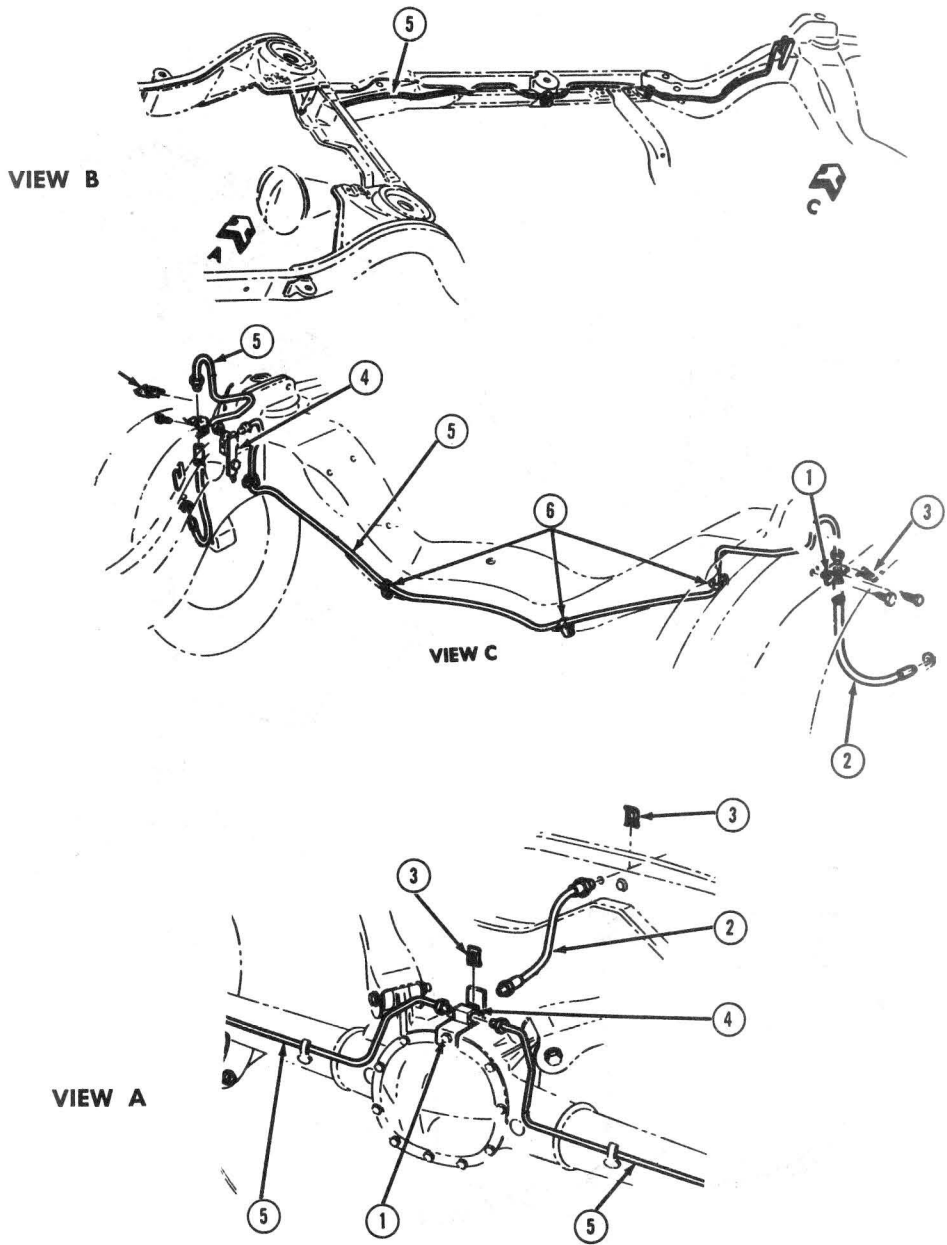


GROUP 4.500 BRAKE SECTION

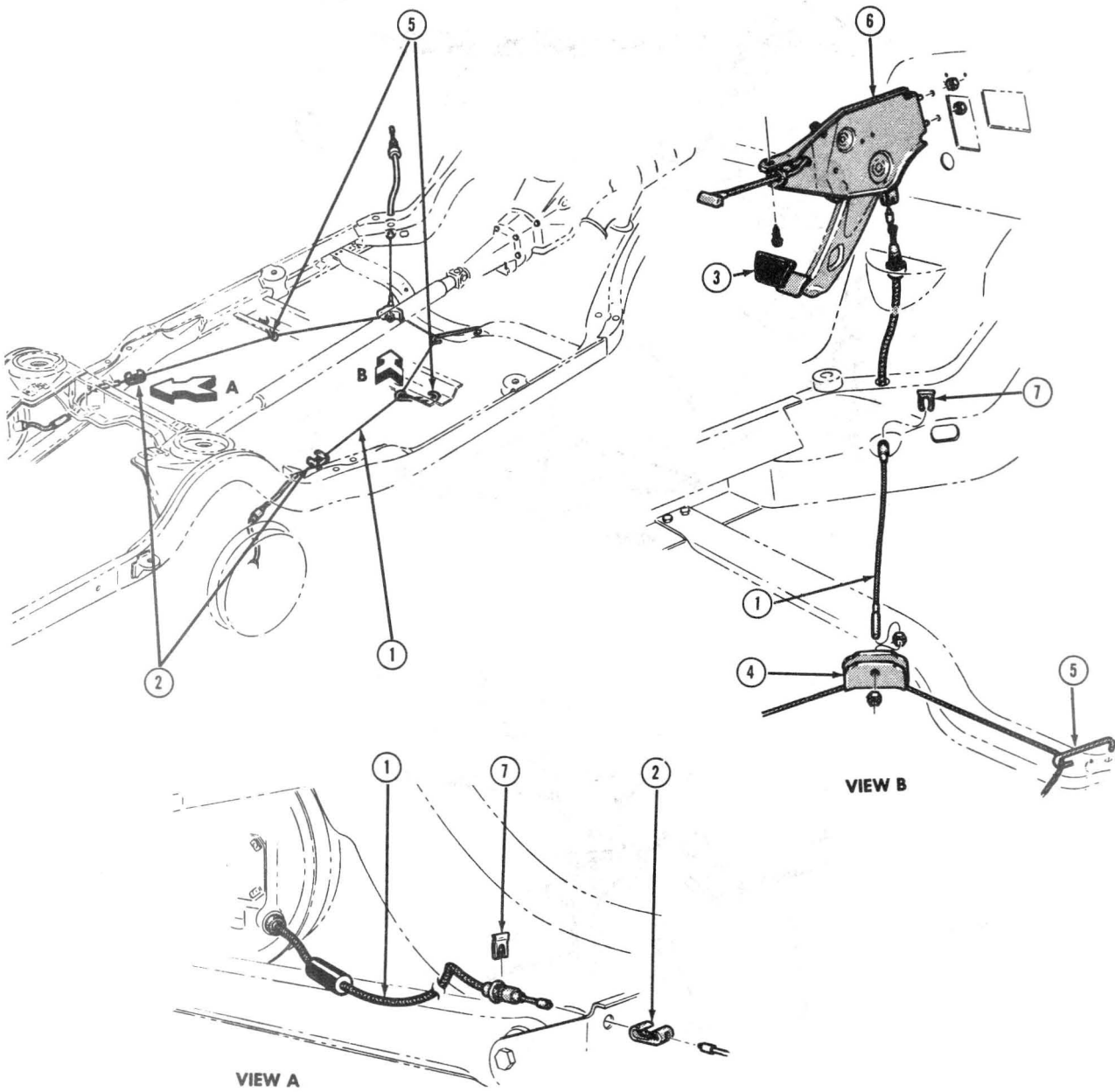
ILLUSTRATION	PAGE
HYDRAULIC BRAKE PARTS	1
PARKING BRAKE DETAILS	2
BRAKE PEDAL LINKAGE	3 - 5
BRAKE DETAILS	6 - 10
BRAKE CALIPER ASSEMBLYS	11
DISC BRAKE DETAILS	12
DRUM BRAKE DETAILS	13
BRAKE LINES	14
BRAKE PEDAL & MASTER CYL. MTG.	15
DISC BRAKE CALIPER	16



**HYDRAULIC BRAKE PARTS
(TYPICAL)**


Key	Description	Group
1	Bracket, Brake Hose	4.681
2	Hose, Brake	4.680
3	Spring, Brake Hose Yoke	4.681
4	Tee, Rear Brake Hose to Brake Pipes	4.686

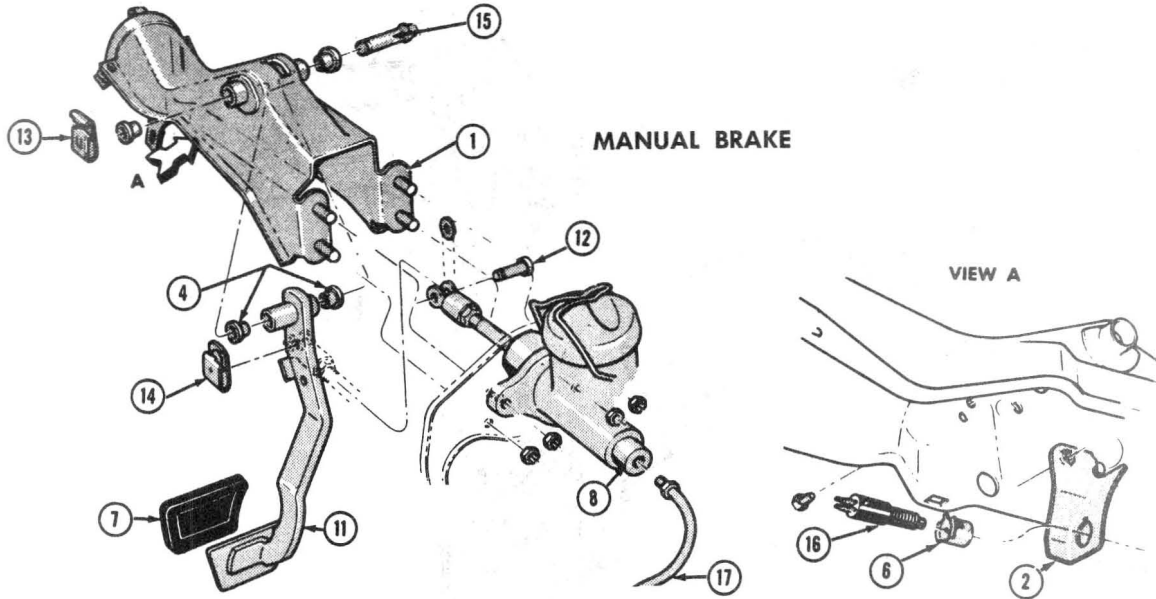
Key	Description	Group
5	Tubing (Standard Stock)	S.S.
6	Clip	N.L.
	S.S.—Standard Stock	
	N.L.—Not Listed	



**PARKING BRAKE HOOK-UP
(TYPICAL)**

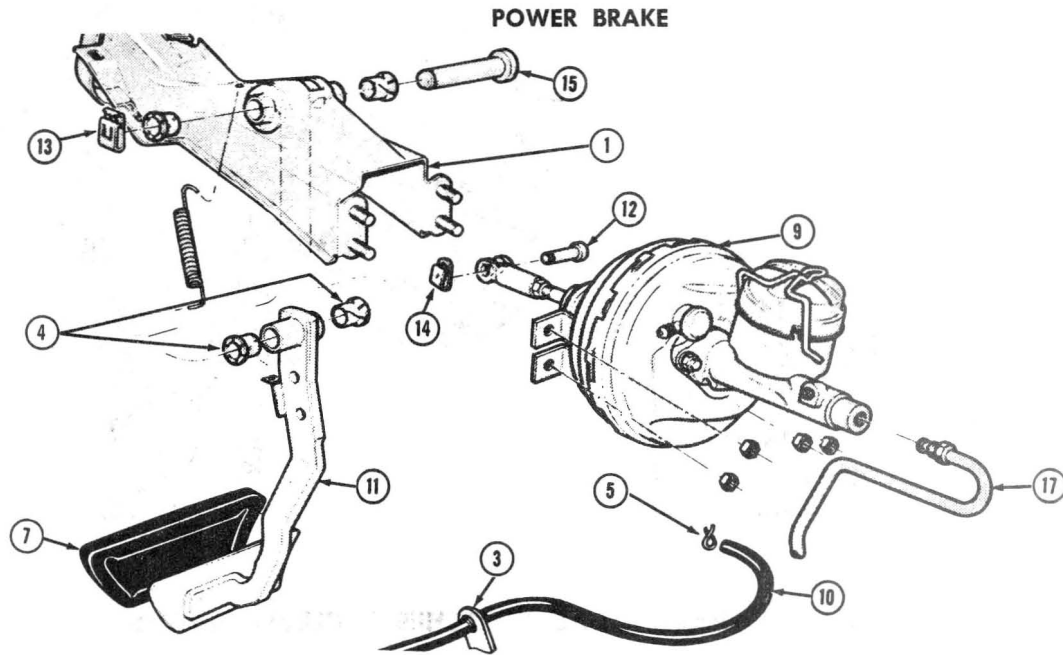
Key	Description	Group
1	Cable, Parking Brake	4.779
2	Connector, Parking Brake Cable	4.781
3	Cover, Parking Brake Pedal Pad	4.630
4	Equalizer, Parking Brake	4.765

Key	Description	Group
5	Guide, Parking Brake 	4.785
6	Pedal and Lever, Parking Brake Release	4.591
7	Retainer, Parking Brake Cable	4.785



MANUAL BRAKE

VIEW A

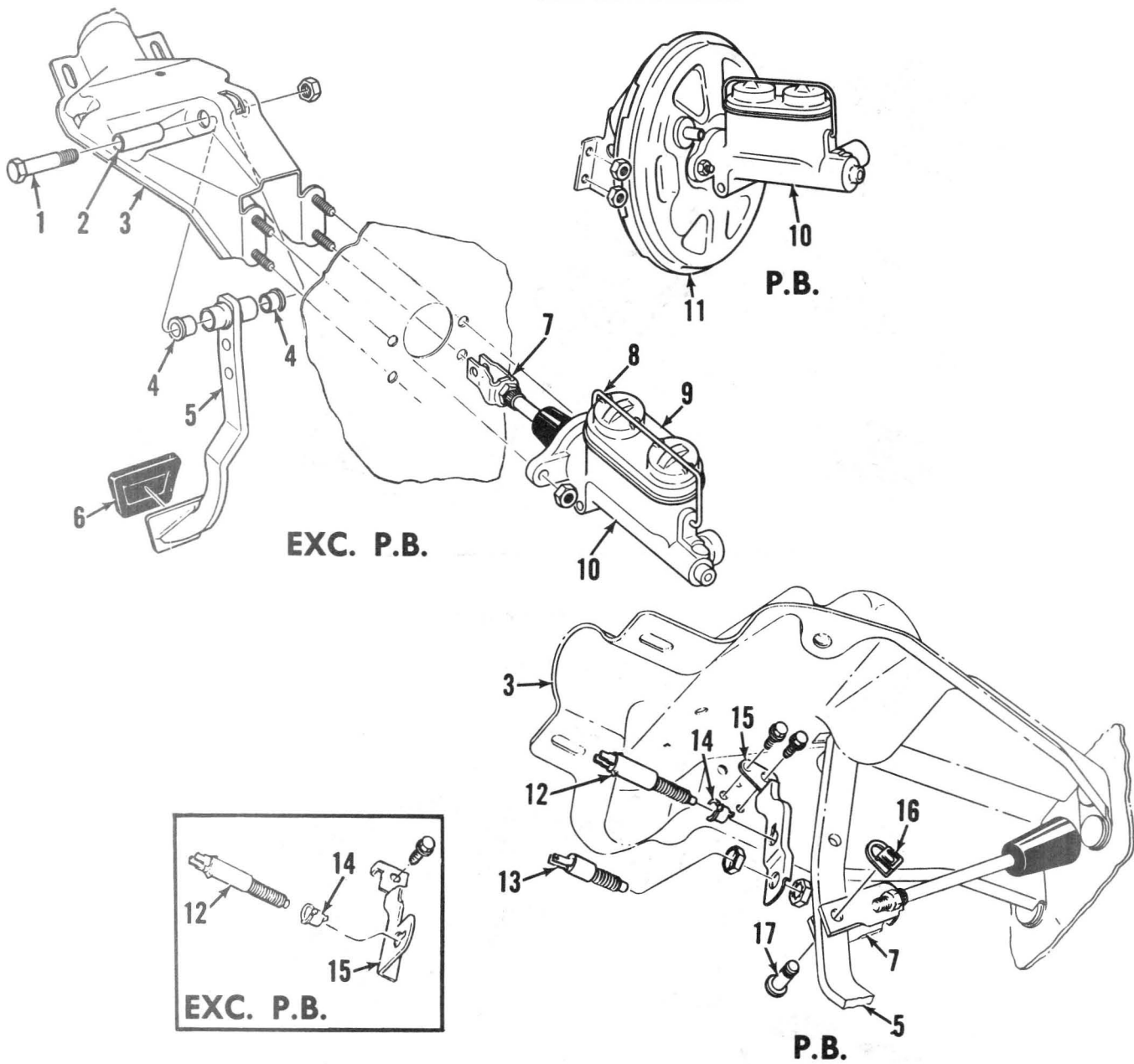


POWER BRAKE

1964 BRAKE PEDAL LINKAGE
 (TYPICAL OF 1965-66)

Key	Description	Group
1	Bracket, Brake Pedal Mounting	4.634
2	Bracket, Stop Light Switch	2.447
3	Bracket, Vacuum Hose to Valve Cover	4.931
4	Bushing, Brake Pedal Shaft	4.626
5	Clip, Vacuum Hose	N.L.
6	Clip, Stop Light Switch to Bracket	2.447
7	Cover, Brake Pedal Pad	4.630
8	Cylinder, Hydraulic Brake Master	4.650
9	Cylinder, Vacuum Power Brake	4.901
10	Hose, Power Brake	4.931

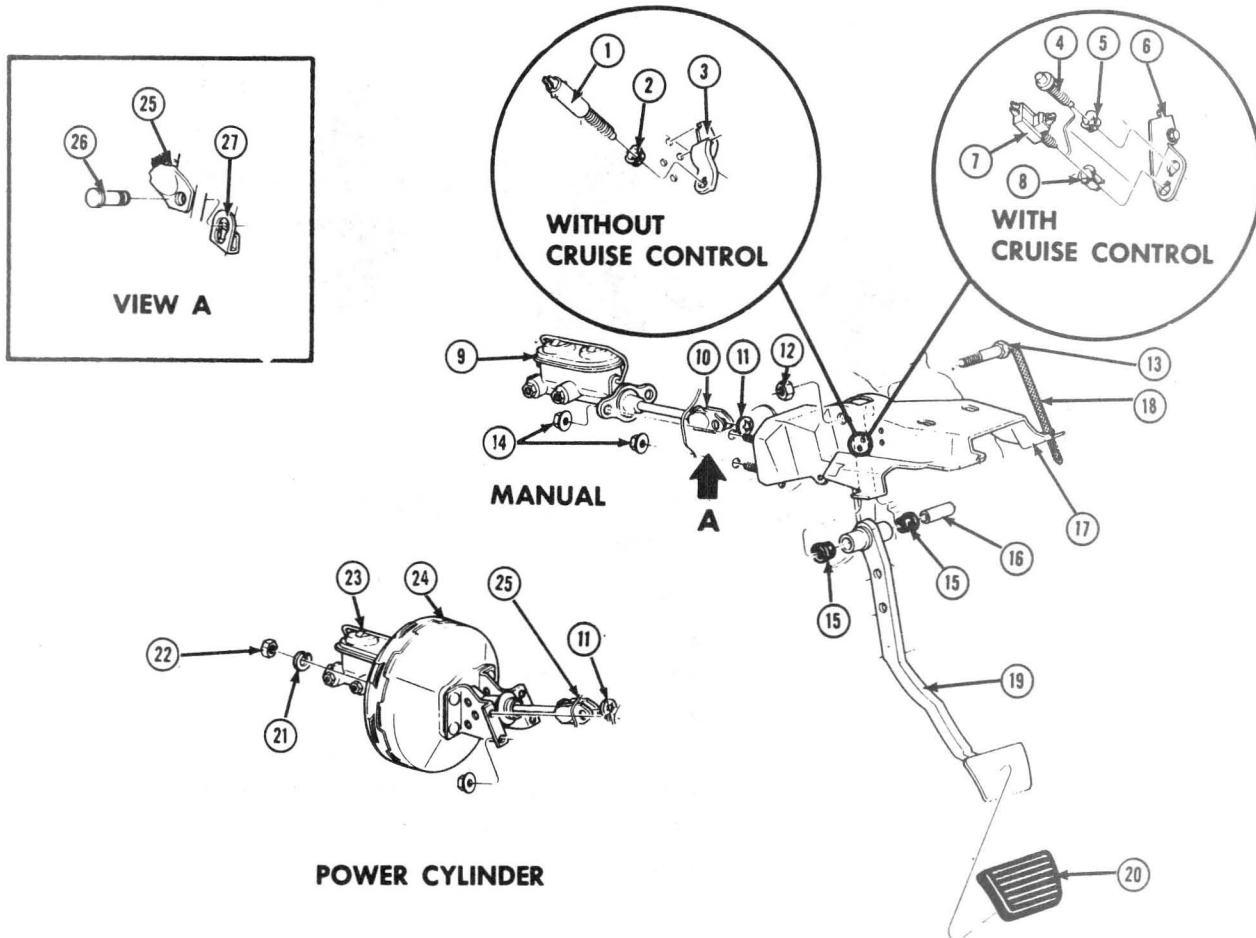
Key	Description	Group
11	Pedal, Brake	4.625
12	Pin, Brake Pedal to Main Cylinder Clevis	4.662
13	Retainer, Brake Pedal Shaft	4.634
14	Retainer, Brake Pedal to Main Cylinder Clevis Pin	4.658
15	Shaft, Brake Pedal Pivot	4.634
16	Switch, Stop Lamp	2.447
17	Tubing	S.S.
	N.L.—Not Listed	
	S.S.—Standard Stock	



1967-68 — BRAKE PEDAL, SWITCHES & CLEVIS DETAILS

Key	Description	Group
1	Bolt (1/4-14 x 1/2)	SS
2	Spacer, Brake Pedal Pivot	4.634
3	Bracket, Brake Pedal Mounting	4.634
4	Bushing, Brake Pedal Shaft	4.626
5	Pedal, Brake	4.625
6	Cover, Brake Pedal Pad	4.630
7	Clevis, Master Cylinder Push Rod	4.662
8	Bail, Master Cylinder Reservoir Cover	4.651
9	Cover, Master Cylinder Reservoir	4.651

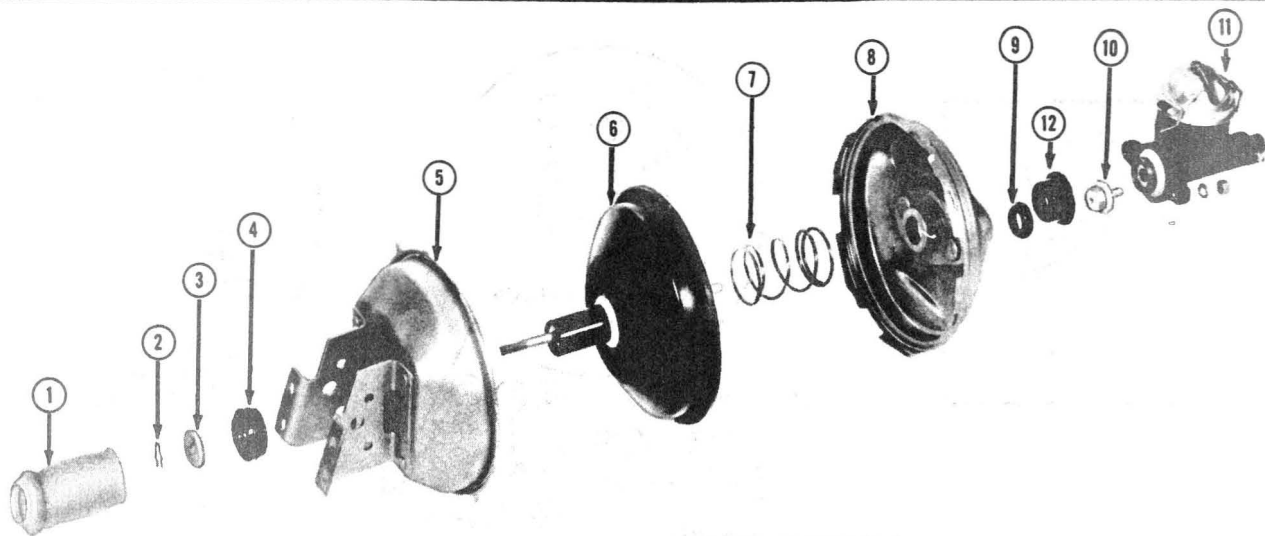
Key	Description	Group
10	Cylinder, Hydraulic Brake Master	4.650
11	Cylinder, Vacuum Power Brake	4.901
12	Switch, Stop Lamp	2.447
13	Switch, Cruise Control Clutch and Brake Release	3.887
14	Clip, Stop Light Switch to Bracket	2.447
15	Bracket, Stop Light Switch	2.447
16	Retainer, Brake Cylinder to Main Clevis Pin	4.662
17	Pin, Brake Pedal to Brake Master Cylinder Clevis	4.662
SS—Standard Stock		



**1969 F-85 BRAKE PEDAL, CYLINDER & ATTACHING PARTS
 (TYPICAL OF 1970-73)**

Key	Description	Group
1	SWITCH, Stop Light	2.447
2	CLIP	2.447
3	BRACKET, Stop Light Switch	2.447
4	VALVE	3.887
5	CLIP	3.887
6	BRACKET	3.887
7	SWITCH	2.447
8	CLIP	3.887
9	CYLINDER ASSY. (Manual)	4.650
10	CLEVIS	4.662
11	NUT, Spring Zip-On	4.662
12	NUT	8.917
13	BOLT (7/16"-14 x 2½")	8.977
14	NUT	3.023

Key	Description	Group
15	BUSHING	4.626
16	SPACER	4.634
17	BRACKET, Brake Pedal Mounting	4.634
18	SUPPORT, Strg. Column	6.760
19	PEDAL	4.625
20	COVER	4.630
21	WASHER	3.000
22	NUT	8.915
23	CYLINDER ASSY., (Main)	4.650
24	CYLINDER ASSY. (Power)	4.901
25	CLEVIS	4.662
26	PIN	4.662
27	RETAINER	4.662

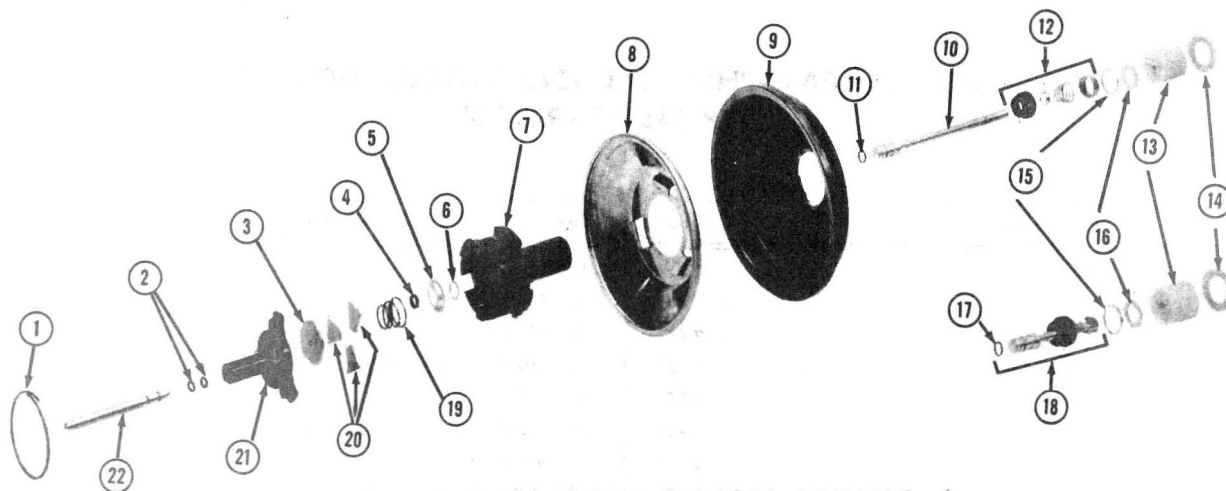


MORaine POWER BRAKE DETAILS
(TYPICAL)

Key	Description	Group
1	Boot, Brake Cylinder	4.659
2	Retainer, Spring Hairpin Type	S.S.
3	Filter, Brake Vacuum Cylinder Air	4.913
4	Bearing, Brake Vacuum Cylinder Power Piston	4.924
5	Housing, Brake Vacuum Cylinder	4.906
6	Vacuum, Piston Assembly	N.S.S.
7	Spring, Brake Vacuum Cylinder Power Piston	4.924

Key	Description	Group
8	Housing, Brake Vacuum Cylinder	4.906
9	Grommet, Vacuum Power Brake Cylinder—Check Valve	4.955
10	Valve, Vacuum Power Brake Cylinder—Check	4.955
11	Cylinder Assembly, Hydraulic Brake Master	4.650
12	Seal, Brake Vacuum Cylinder Front Housing	4.910

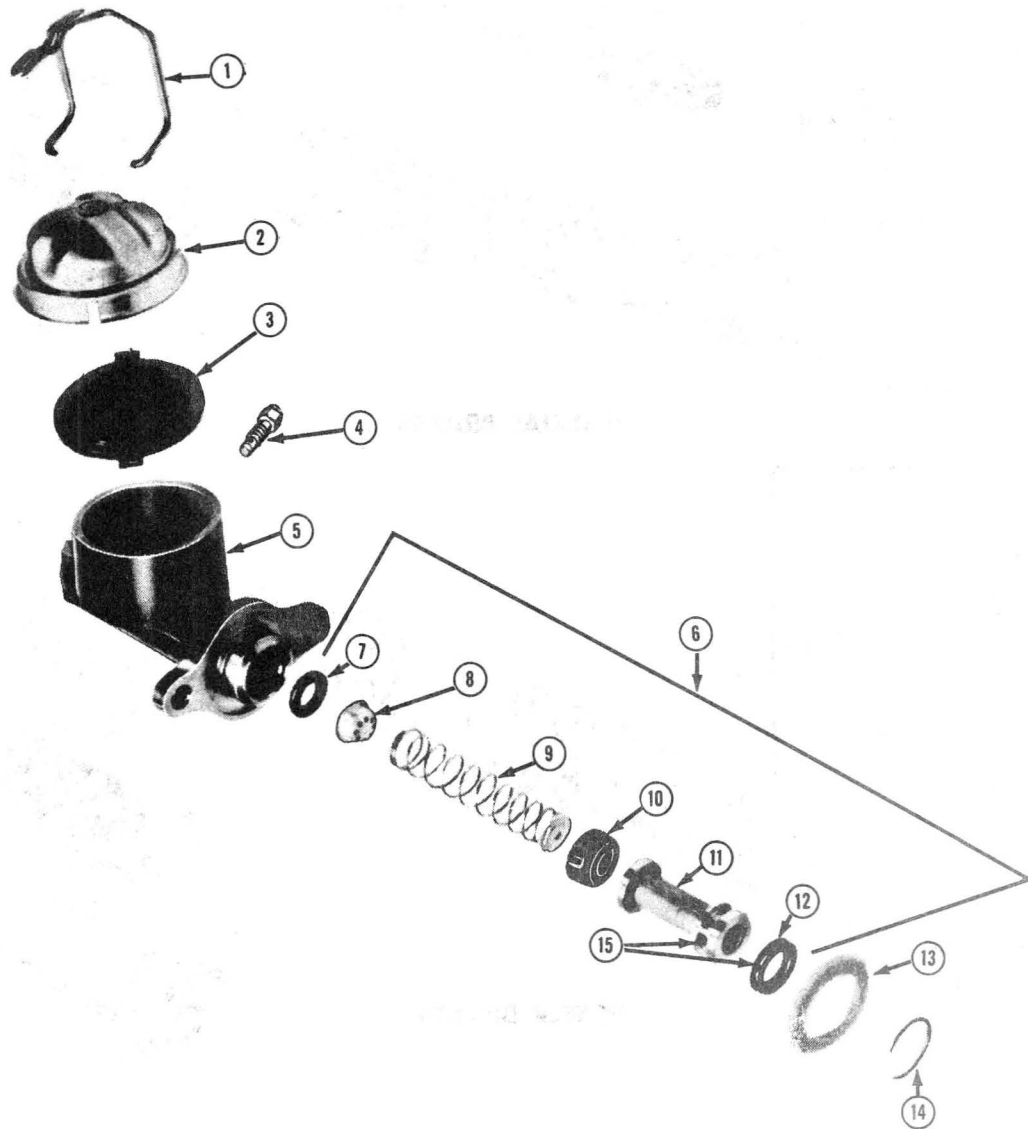
S.S.—Standard Stock
N.S.S.—Not Serviced Separately



MORaine VACUUM PISTON DETAILS
(TYPICAL)

Key	Description	Group
1	Ring Lock, Power Brake Piston Ring	4.922
2	Seal, Brake Vacuum Cylinder Rod—'O' Ring	4.924
3	Plate, Brake Cylinder—Reaction	4.934
4	Bumper, Brake Vacuum Cylinder Reaction	4.934
5	Retainer, Brake Vacuum Cylinder Air Valve Spring	4.918
6	Ring, Power Brake Air Valve Spring Retainer Snap	4.918
7	Piston, Brake Vacuum Cylinder Power	4.922
8	Support, Power Brake Piston Diaphragm	4.922
9	Diaphragm, Brake Vacuum Power Cylinder	4.922
10	Valve, Power Brake Cylinder	4.918
11	Seal, Brake Vacuum Cylinder—Air Valve—'O' Ring	4.918

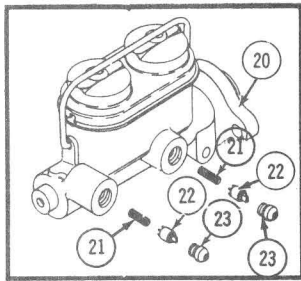
Key	Description	Group
12	Valve, Vacuum Power Brake and Floating Control	4.935
13	Filter, Brake Vacuum Cylinder Air	4.913
14	Silencer, Brake Vacuum Cylinder Air Cleaner	4.913
15	Retainer, Brake Vacuum Cylinder Air Valve Spring	4.935
16	Washer, Vacuum Cylinder Push Rod Limiter	4.659
17	Seal, Brake Vacuum Cylinder Air Valve—'O' Ring	4.918
18	Valve, Power Brake Cylinder	4.918
19	Spring, Brake Cylinder Air Valve	4.918
20	Lever, Brake Cylinder Reaction	4.934
21	Retainer, Brake Vacuum Cylinder Reaction Lever	4.934
22	Rod, Vacuum Piston	4.924



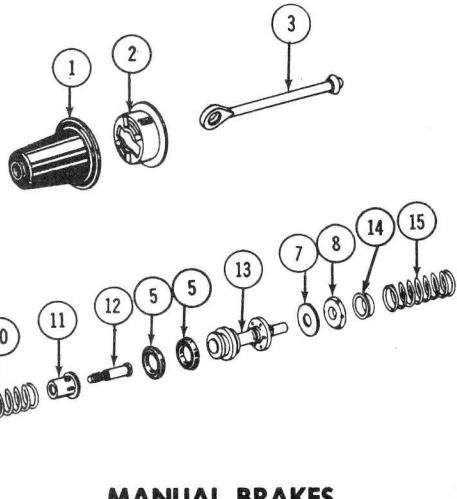
**1964-66 MORaine MASTER BRAKE CYLINDER
(TYPICAL)**

Key	Description	Group
1	Wire, Hydraulic Brake Master Cylinder Cover Ball	4.651
2	Cover, Master Cylinder Reservoir	4.651
3	Seal, Master Cylinder Floating Reservoir Cover	4.651
4	Valve, Brake Master Cylinder Bleeder	4.657
5	Cylinder Body	N.S.S.
6	Repair Kit, Hydraulic Master Brake Cylinder	4.649
7	Washer, Brake Master Cylinder Valve Seat	4.657
8	Valve Assembly, Brake Master Cylinder Check	4.657

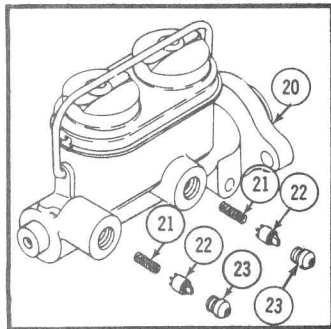
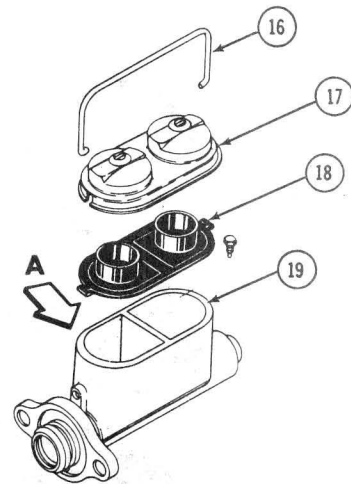
Key	Description	Group
9	Spring and Retainer, Brake Master Cylinder	4.655
10	Cup, Master Cylinder Piston—Primary	4.654
11	Piston, Brake Master Cylinder	4.653
12	Cup, Master Cylinder Piston—Secondary	4.654
13	Filter, Brake Vacuum Cylinder Air	4.913
14	Ring, Master Cylinder Piston Retaining	4.656
15	Piston, Brake Master Cylinder	4.653
		N.S.S.—Not Serviced Separately



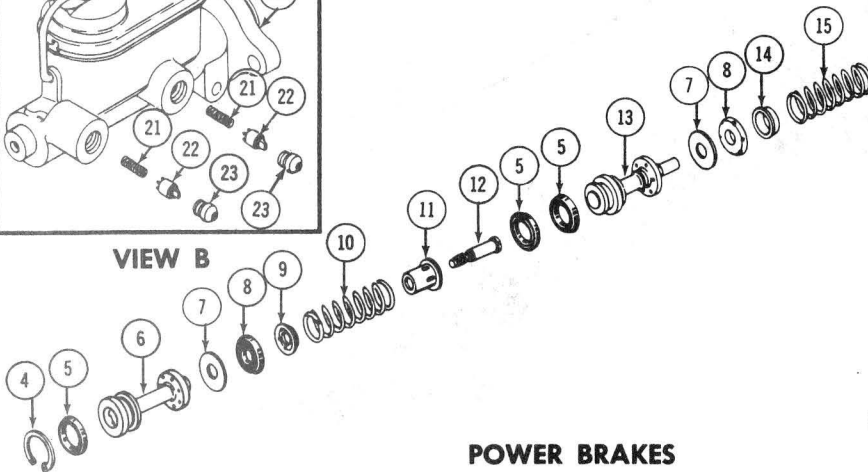
VIEW A



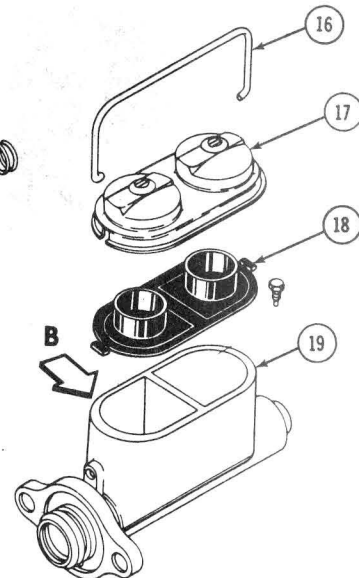
MANUAL BRAKES



VIEW B



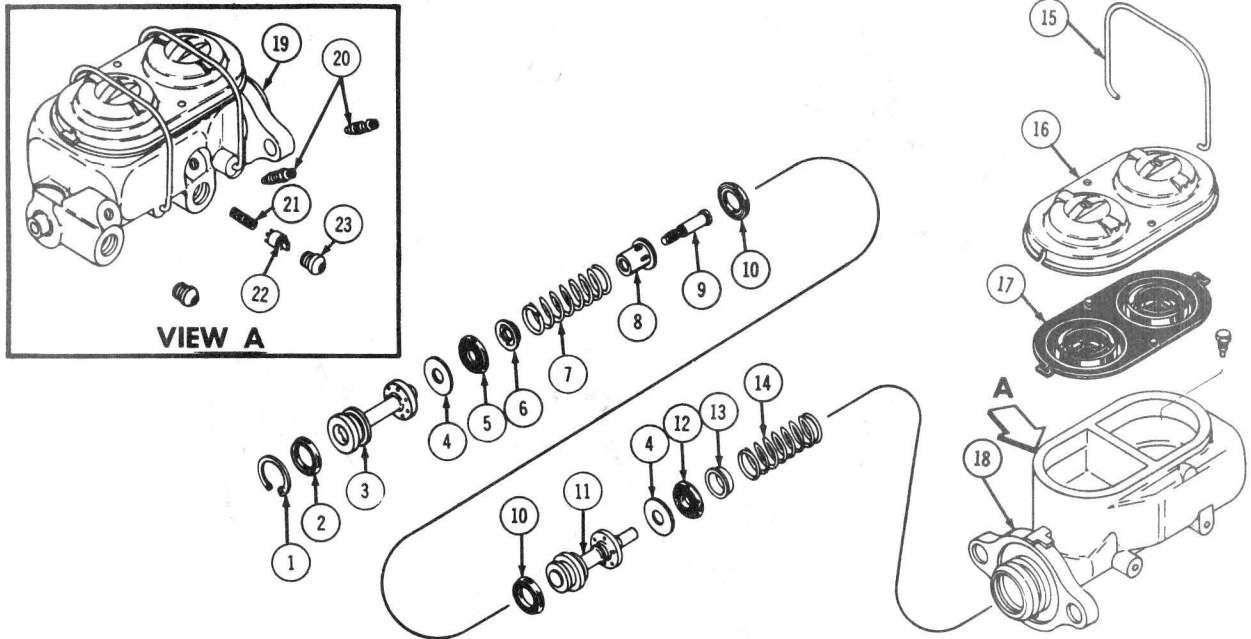
POWER BRAKES



**1967-68 MORaine MASTER CYLINDER DETAILS — DRUM BRAKES
(TYPICAL)**

Key	Description	Part No.	Qty	Group
1	Boot, Brake Cylinder		1	4.659
2	Retainer, Push Rod		1	4.659
3	Rod, Brake, Push		1	4.658
4	Ring, Piston Retaining		1	4.656
5	Seal, Secondary		1	4.910
6	Piston, Brake Cylinder		1	4.653
7	Protector, Primary Cup		1	4.654
8	Seal, Master Cylinder to Brake Cylinder ..		1	4.910
9	Retainer, Cylinder		1	4.655
10	Spring, Brake Cylinder		1	4.655
11	Stop, Brake Cylinder Floating Piston		1	4.656
12	Screw, Bracket Master Cylinder Piston		1	4.656

Key	Description	Part No.	Qty	Group
13	Piston, Brake Cylinder		1	4.653
14	Retainer, Brake Cylinder		1	4.655
15	Spring, Brake Cylinder		1	4.655
16	Bail, Reservoir Cover		1	4.651
17	Cover, Reservoir		1	4.651
18	Gasket, Brake Cylinder Reservoir		1	4.651
19	Housing, Master Cylinder		1	N.S.S.
20	Cylinder, Hydraulic		1	4.650
21	Spring, Cylinder Check Valve		1	4.657
22	Valve, Cylinder Check		1	4.657
23	Insert, Cylinder Pipe Connecting Bolt		1	4.657

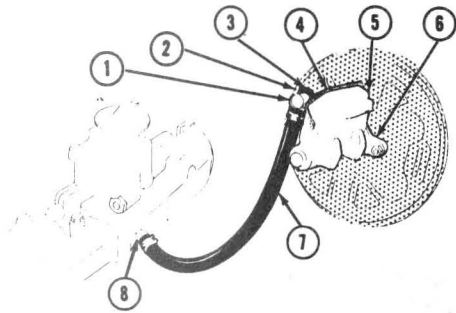


MORAINÉ P.B. MASTER CYLINDER (DISC BRAKES)

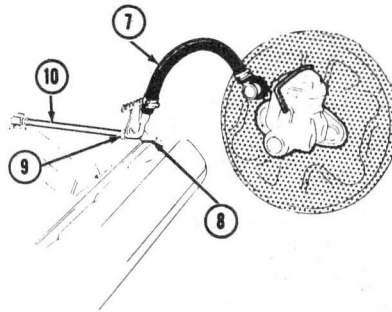
Key	Description	Qty	Group
1	Ring, Cylinder Piston Retaining	1	4.656
2	Seal, Cylinder, Secondary	1	4.910
3	Piston, Primary, Rear	1	4.653
4	Protector, Primary Cup	1	4.654
5	Seal Master Cylinder to Brake Cylinder	1	4.910
6	Retainer, Brake Cylinder	1	4.655
7	Spring, Brake Cylinder	1	4.655
8	Stop, Brake Cylinder Floating Piston	1	4.656
9	Screw, Brake Master Cylinder Piston	1	4.656
10	Seal, Cylinder, Secondary	1	4.910
11	Piston, Secondary, Front	1	4.653
12	Seal, Master Cylinder to Brake Cylinder	1	4.910

Key	Description	Qty	Group
13	Retainer, Brake Cylinder	1	4.655
14	Spring, Brake Cylinder	1	4.655
15	Bail, Reservoir Cover	1	4.651
16	Cover, Reservoir	1	4.651
17	Gasket, Brake Cylinder Reservoir	1	4.651
18	Housing, Master Cylinder	1	N.S.S.
19	Cylinder, Hydraulic	1	4.650
20	Valve, Wheel Cylinder Bleeder	1	4.666
21	Spring, Cylinder Check Valve	1	4.655
22	Valve, Cylinder Check	1	4.657
23	Insert, Cylinder Pipe Connecting Bolt	1	4.655

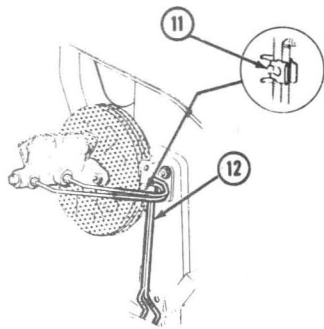
N.S.S.—Not Serviced Separately.



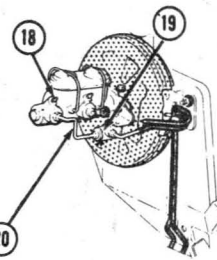
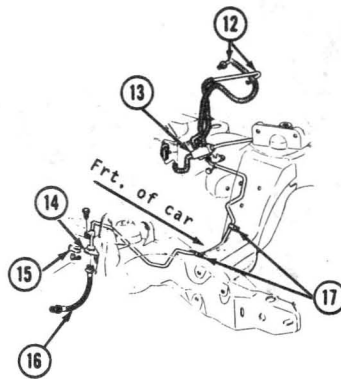
L-6 ROUTING



V-8 ROUTING



POWER DRUM BRAKES

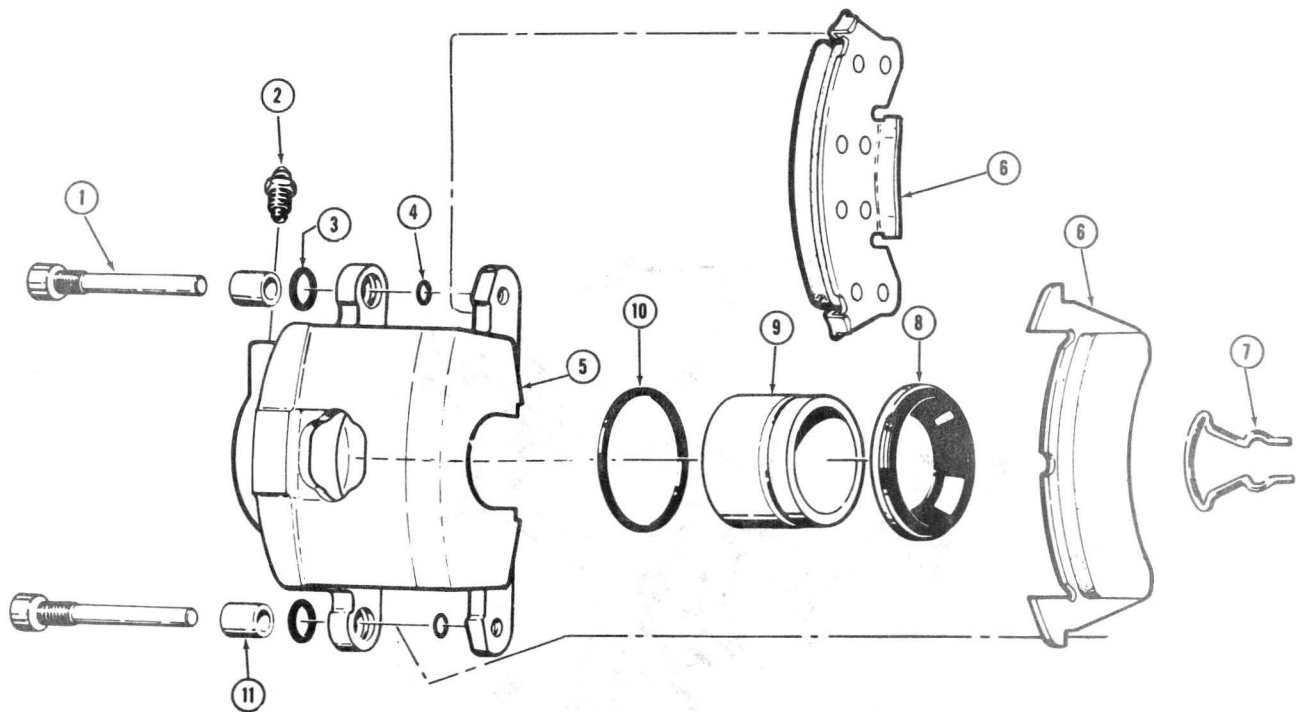


POWER DISC BRAKES

**1969 POWER BRAKE MASTER CYLINDER MOUNTING
(TYPICAL OF 1970 THRU 1973)**

Key	Description	Group
1	Valve, Vacuum Power Brake Cylinder Check	4.955
2	Cylinder, Vacuum Power Brake	4.901
3	Grommet, Vacuum Power Brake Cylinder	4.955
4	Bail, Brake Master Cylinder Reservoir Cover	4.651
5	Cover, Master Cylinder Reservoir	4.651
6	Cylinder, Hydraulic Brake Master	4.650
7	Hose, Power Brake Vacuum	8.962
8	Bracket, Vacuum Hose To Valve Cover	4.931
9	Clamp, Hose To Pipe	8.948
10	Pipe, Power Brake Vacuum	4.931

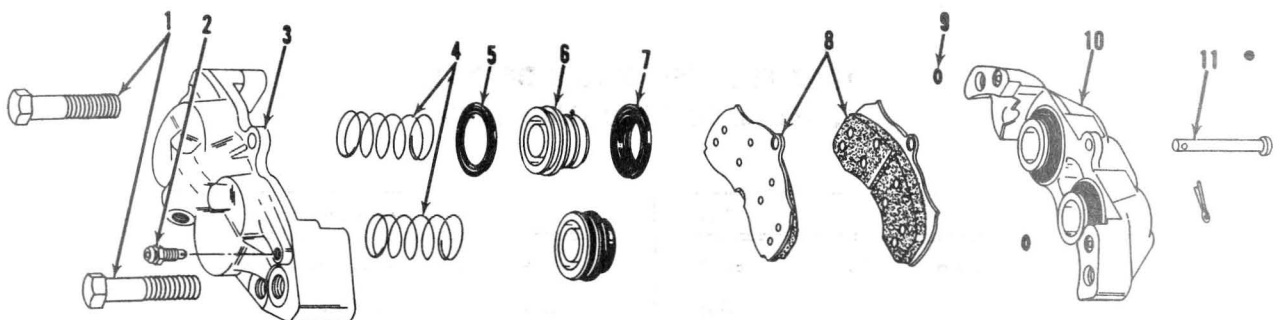
Key	Description	Group
11	Clip, Master Cylinder Pipe	4.686
12	Pipe Assembly, Metering Valve To Distributor	4.685
13	Valve, Brake Combination	4.690
14	Bracket, Brake Hose	4.681
15	Spring, Shift Cable To Bracket Yoke	4.681
16	Hose, Brake	4.680
17	Clip, Brake Pipe To Frame	4.686
18	Valve, Brake Master Cylinder Bleeder	4.657
19	Valve, Brake Combination	4.690
20	Pipe, Master Cylinder To Metering Valve	4.685



SINGLE PISTON DISC BRAKE CALIPER

Key	Description	Group
1	Bolt, Caliper Housing	4.665
2	Valve, Wheel Cylinder Bleeder	4.666
3	Bushing, Caliper Support Bolt—Outer	4.665
4	Bushing, Caliper Support Bolt—Inner	4.665
5	Housing Assembly, Front Brake Caliper	4.665
6	Shoe Package	5.017

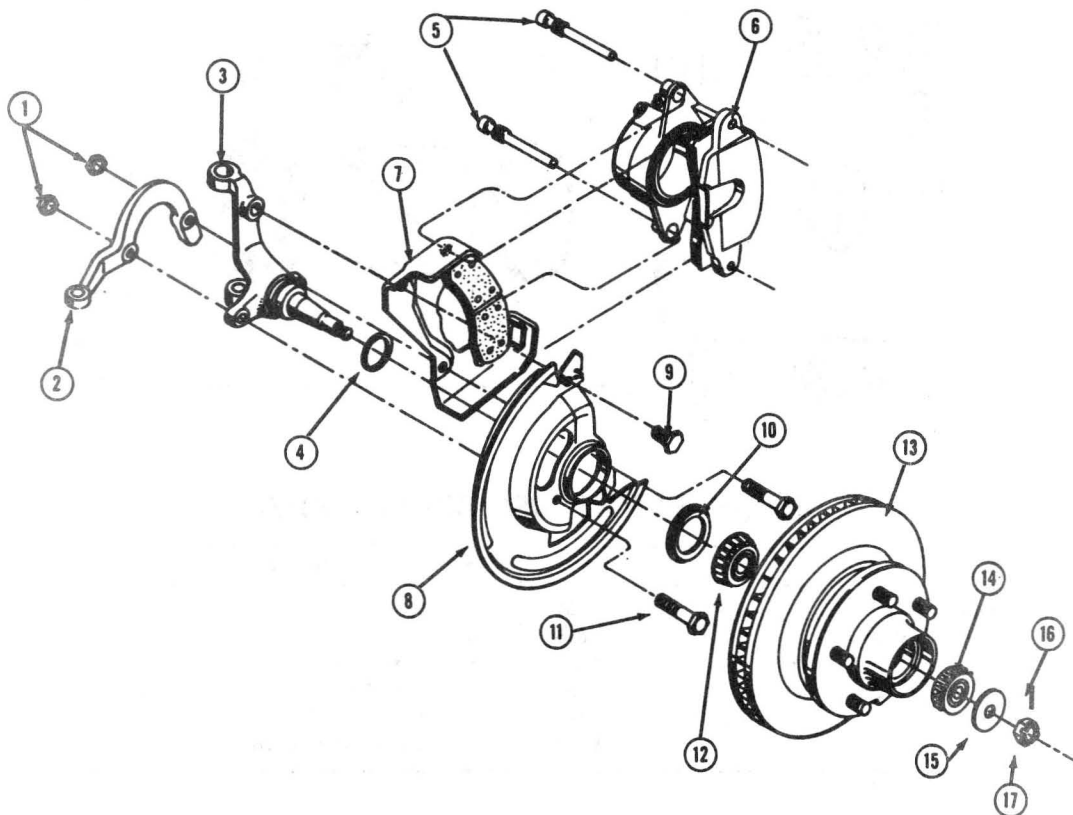
Key	Description	Group
7	Spring, Caliper Piston Return	4.669
8	Boot Assembly, Caliper Piston	4.670
9	Piston, Brake Caliper	4.668
10	Seal, Front Brake Caliper Piston	4.667
	Repair Kit, Brake Piston Housing	4.667
11	Sleeve, Retainer Bolt Housing	4.665



MORaine DISC BRAKE CALIPER ASSEMBLY

Key	Description	Group
1	Bolt (5/16"-18 x 2 1/2")	8.900
2	Valve, Bleeder	4.666
3	Housing—Inboard	4.665
4	Spring, Return	4.669
5	Seal	4.667
6	Piston	4.668

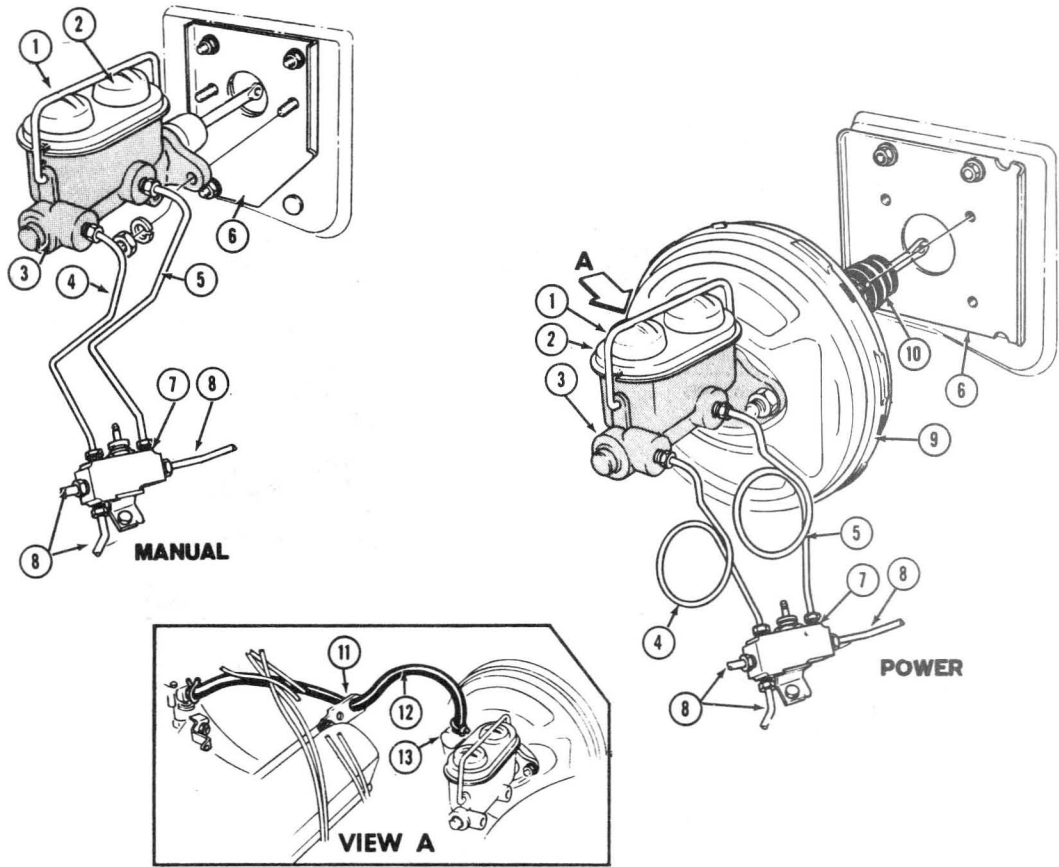
Key	Description	Group
7	Boot	4.670
8	Shoe & Lining	5.017
9	"O" Ring	4.666
10	Housing, Outboard	4.665
11	Pin, Shoe Retainer	5.041



**1967 F85 DISC BRAKE DETAILS
(TYPICAL OF 1968 THRU 1973)**

Key	Description	Group
1	Nut, Steering Knuckle To Splash Shield — $\frac{1}{2}$ - 20 x $\frac{7}{16}$	8.917
2	Arm, Steering Knuckle	6.103
3	Knuckle, Steering	6.020
4	Gasket, Front Brake Backing Plate To Steering Knuckle	5.002
5	Bolt, Disc Brake Housing	4.665
6	Caliper, Front Disc Brake	4.665
7	Bracket, Front Brake Caliper Adapter	5.001
8	Shield Assembly, Front Brake Disc Splash	5.002

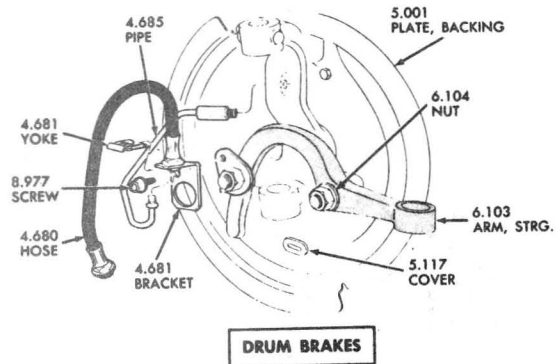
Key	Description	Group
9	Bolt, Splash Shield To Steering Knuckle — $\frac{5}{8}$ - 18 x $\frac{7}{8}$	5.002
10	Seal, Front Wheel Inner Bearing	6.326
11	Bolt, Front Brake To Steering Knuckle Anchor	5.002
12	Bearing Assembly, Front Wheel Inner	6.311
13	Hub and Rotor Assembly, Front	5.809
14	Bearing Assembly, Front Wheel Outer	6.313
15	Washer, Steering Knuckle Spindle	6.321
16	Cotter Pin, Steering Knuckle Spindle Nut	8.938
17	Nut, Steering Knuckle Spindle — $\frac{3}{4}$ - 20 x $\frac{1}{2}$	6.022



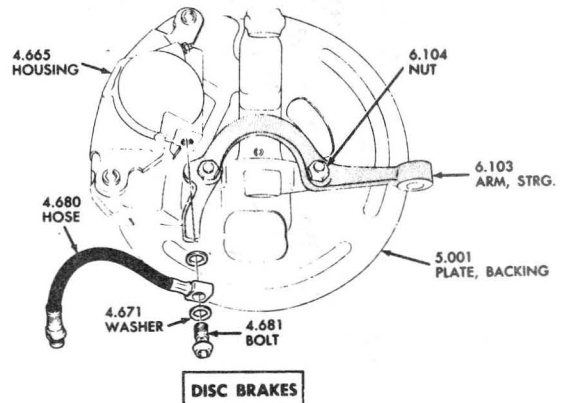
**1967 THRU 1974 DRUM BRAKES MASTER CYL. MOUNTING,
 JUNCTION & SWITCH DETAILS**

Key	Description	Group
1	Bail	4.651
2	Cover	4.651
3	Cyl. Assy. — Main	4.650
4	Pipe (frt.)	4.685
5	Pipe (rear)	4.685
6	Reinf.	4.648
7	Junction & Switch	4.686

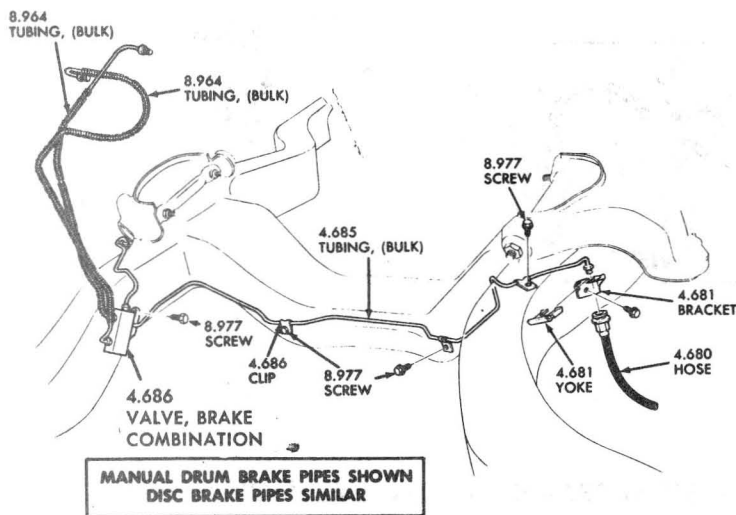
Key	Description	Group
8	Tubing (steel)	8.964
9	Cyl. Assy. — Power	4.901
10	Boot	4.659
11	Bracket	4.931
12	Hose	4.931
13	Check Valve	4.955



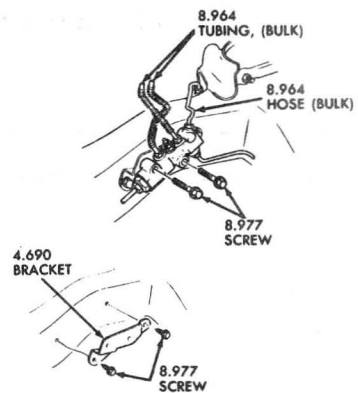
DRUM BRAKES



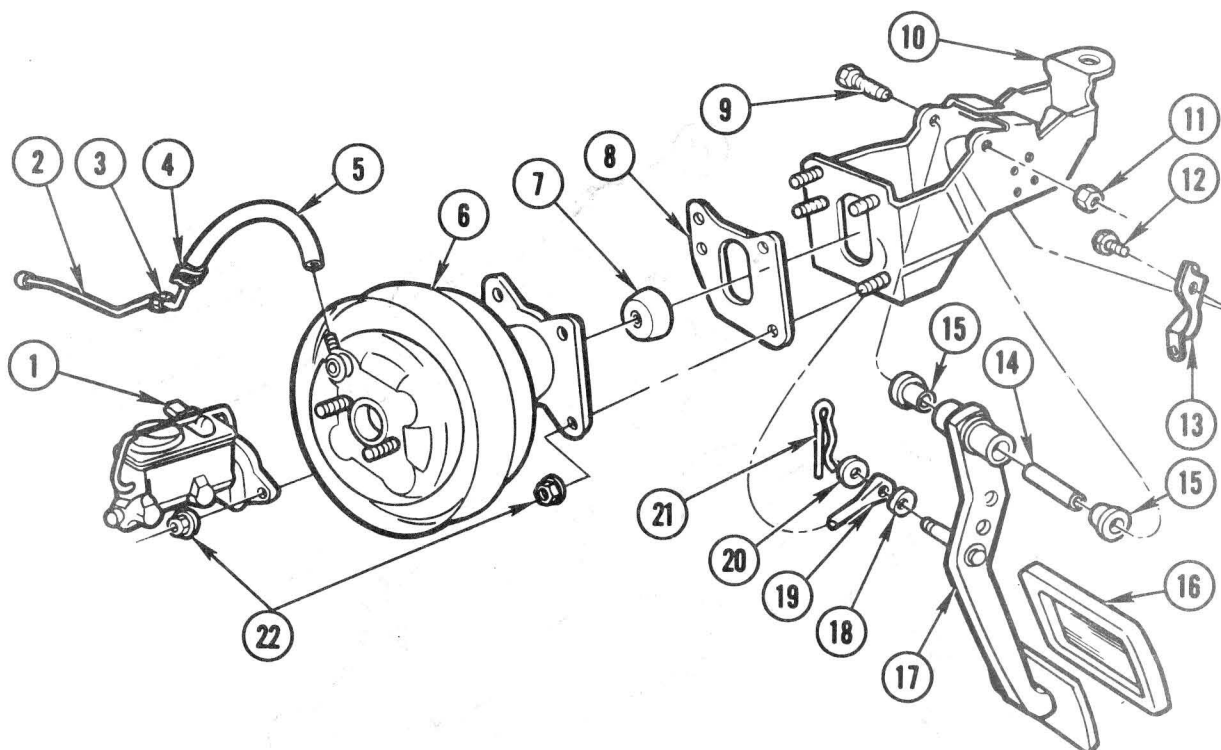
DISC BRAKES



**MANUAL DRUM BRAKE PIPES SHOWN
DISC BRAKE PIPES SIMILAR**

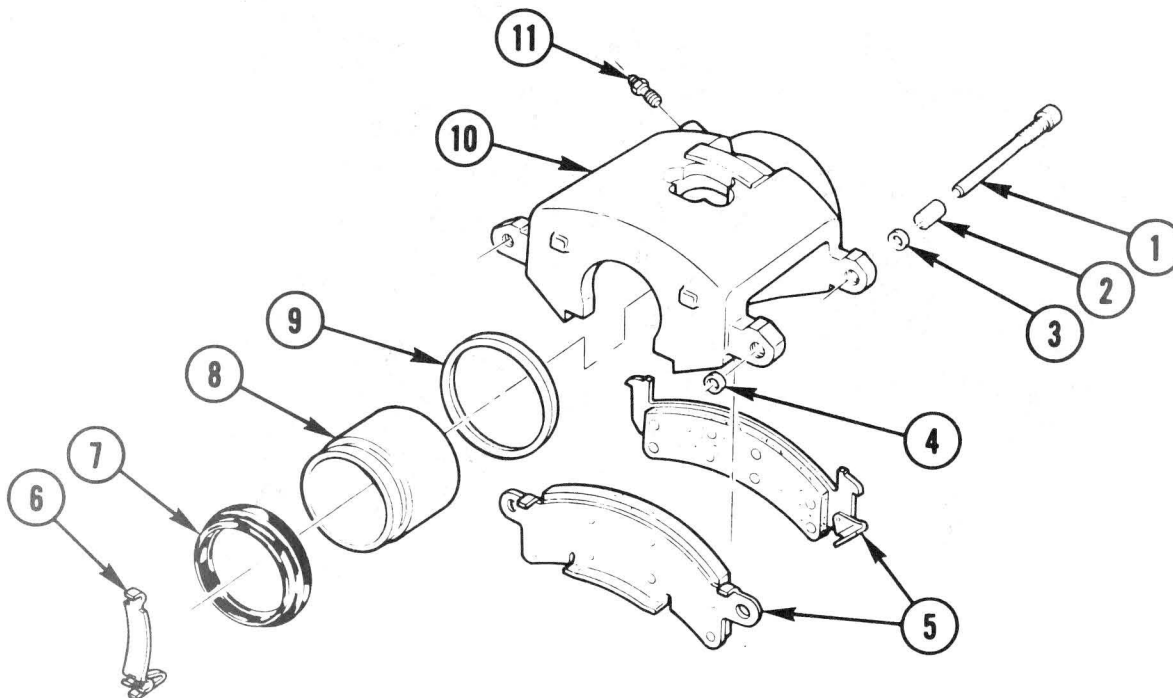


1973-74 F-85 BRAKE LINE AND HOSE ROUTINGS



1976 BRAKE PEDAL AND MASTER CYLINDER MOUNTING

1. CYLINDER ASM.	4.650
2. TUBING	8.964
3. CLAMP	8.948
4. CLAMP	8.948
5. HOSE, Power Brake Vacuum Line	4.931
6. CYLINDER ASM., Power Brake	4.901
7. BOOT, Master Cylinder	4.659
8. GASKET, Power Brake Cyl. to Dash	4.910
9. BOLT (7/10"-14 x 2 1/2")	8.906
10. BRACKET ASM., Brake Pedal	4.634
11. NUT (7/16"-14)	8.917
12. SCREW (1/4"-14 x 1/2")	8.977
13. BRACKET, Stoplight Switch Mtg.	2.447
14. SPACER, Brake Pedal	4.626
15. BUSHING, Brake Pedal (Nylon)	4.626
16. COVER, Brake Pedal Pad	4.630
17. PEDAL ASM., Brake	4.625
18. WASHER, Push Rod to Pedal Arm	4.634
19. ROD ASM., W/Retainer Brake Pedal Push	4.658
20. WASHER, Push Rod	4.662
21. RETAINER, Pedal Arm to Cyl. Push Rod Brk.	4.662
22. NUT (3/8"-16)	8.917



1976 DISC BRAKE CALIPER

1. BOLT, Frt. Brake Caliper	4.665
2. SLEEVE, Brake Caliper Bolt	4.665
3. BUSHING, Brake Caliper Bolt (5/8" I.D.)	4.665
4. BUSHING, Brake Caliper Bolt-Outer (3/8" O.D.)	4.665
5. SHOE & LINING PKG., Disc Brake	5.017
6. SPRING, Brake Anti-Rattle	4.669
7. BOOT, Brake Hsg. Piston (Note 1)	4.667
8. PISTON ASM., Brake Hsg.	4.668
9. SEAL, Hsg. Piston (Note 1)	4.667
10. HOUSING, Brake	4.665
11. VALVE, Wheel Cylinder Bleeder	4.666

NOTE 1: Repair Kit-Group 4.667.

GROUP 5.000 REAR AXLE AND PROP SHAFT

ILLUSTRATION	PAGE
AXLE IDENTIFICATION	Overleaf
REAR AXLE	1
ANTI-SPIN DIFFERENTIAL CASE	2
PROPELLER SHAFT DETAILS	3
DIFFERENTIAL CASE ASSEMBLIES	5 - 6
REAR AXLE	7
LOCKING DIFFERENTIAL	8
AXLE IDENTIFICATION CODE	9 - 21
WHEEL BRAKE ASSEMBLIES	22
WHEEL DISCS	23 - 36
