

# **GROUP 2.000**

## **CHASSIS**

# **ELECTRICAL SYSTEM**

### **ILLUSTRATION INDEX**

| <b>Description</b>                   | <b>Page</b> |
|--------------------------------------|-------------|
| STARTING MOTOR CHARTS .....          | CHT 1-12    |
| DELCOTRON CHARTS .....               | CHT 1-19    |
| DISTRIBUTOR CHARTS .....             | CHT 1-15    |
| DELCOTRON MOUNTING .....             | 1- 4        |
| FUSIBLE LINK CIRCUIT .....           | 5           |
| ENGINE COMPARTMENT WIRING .....      | 6- 9        |
| INSTRUMENT PANEL WIRING .....        | 10-11       |
| STEERING WHEELS .....                | 12-15       |
| 1964 TURN SIGNAL SWITCH DETAIL ..... | 16          |
| HEADLAMP ASSEMBLIES .....            | 17-18       |
| REAR LAMPS .....                     | 19-25       |
| 1976 FRONT LAMPS .....               | 26          |
| 1976 DELCOTRON MOUNTING .....        | 27          |

---



**NOTES**

A series of horizontal lines for writing notes, spanning the width of the page. The lines are evenly spaced and extend from the left margin to the right margin.

## STARTING MOTORS

LISTED BELOW ARE STARTING MOTOR ASSEMBLIES AND USAGES

Refer To The Charts On The Following Pages For Component Parts

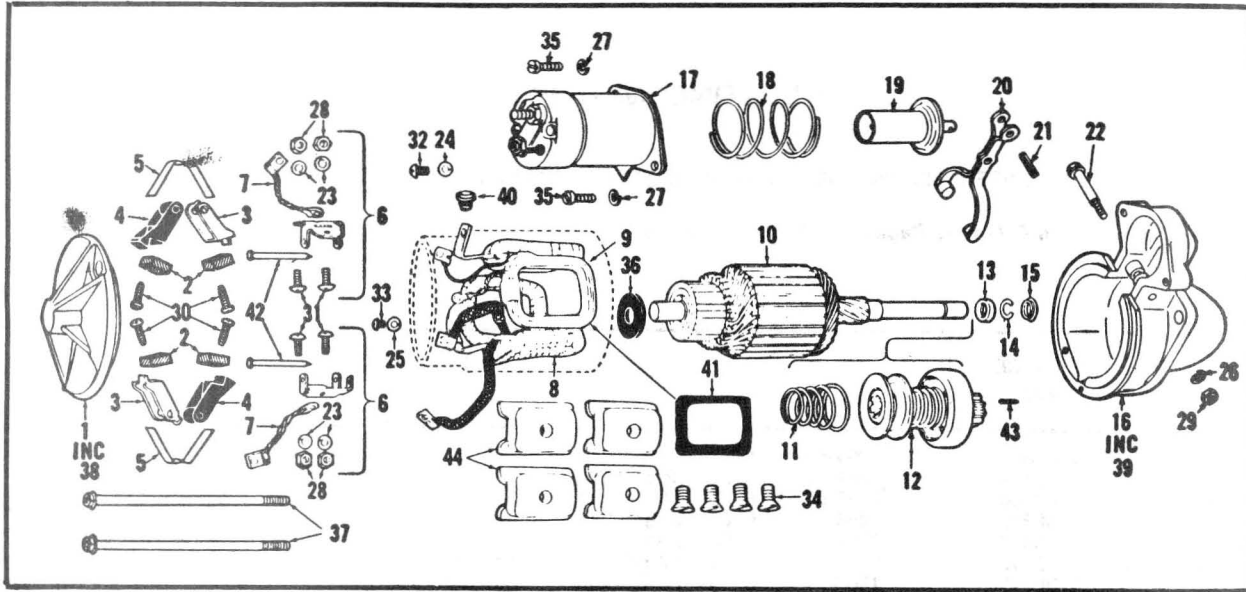
| PRODUCTION NO. | SERVICE NO. | APPLICATION                                 | CHART PAGE NO. |
|----------------|-------------|---|----------------|
| 1107260        | 1108363     | 1964-65 6 Cyl. Eng.                         | 2-3            |
| 1107298        | 1108519     | 1964-66 8 Cyl. /2 BC/Eng.                   | 2-3            |
| 1107330        | 1107330     | 1965-66 8 Cyl. /4BC/Eng.                    | 2-3            |
| 1107374        | 1108366     | 1966 6 Cyl. Eng.                            | 2-3            |
| 1107399        | 1108363     | 1967 6 Cyl. Eng.                            | 2-3            |
| 1107298        | 1108519     | 1967 8 Cyl. /2 BC/Eng. — First Type*        | 2 3            |
| 1108349        | 1108519     | 1967 8 Cyl. /2 BC Eng. — Second Type*       | 2-3            |
| 1107330        | 1107330     | 1967 8 Cyl. /4 BC/Eng. — First Type*        | 2-3            |
| 1108348        | "           | 1967 8 Cyl. /4 BC/Eng. — Second Type*       | 2-3            |
| 1108365        | 1108363     | 1968-73 6 Cyl. Eng.                         | 2-3            |
| 1108349        | 1108519     | 1968-69 350/2 BC/Eng.                       | 4-5            |
| 1108348        | 1108519     | 1968-69 350/4 BC/ & 400 Eng.                | 4-5            |
| 1108333        | 1108519     | 1968-69 Hurst 455                           | 2-7            |
| 1108386        | 1108519     | 1970-71 350/2 BC/Eng.                       | 6-7            |
|                |             | 1972-73 350 Eng.                            | 6-7            |
| 1108387        | 1108519     | 1970-71 350/4 BC/ & 455/2 BC/Low Comp. Eng. | 6-7            |
|                |             | 1972-73 455 Eng.                            | 6-7            |
| 1108389        | 1108519     | 1970-71 455/2 BC/High Comp. & 455/4 BC      | 6-7            |
| 1108516        | 1108519     | 1974 350 (4 BC) Eng.                        | 8-9            |
| 1108517        | 1108519     | 1974  | 6-7            |
| 1108774        | 1108366     | 1975 6 Cyl. ST.                             | 10-11          |
| 1108778        | 1108429     | 1975 6 Cyl. AT.                             | 10-11          |
| 1108765        | 230232      | 1975 260 and 350 Eng.                       | 10-11          |
| 1108766        | 230232      | 1975 455 Eng.                               | 10-11          |
| 1108774        | 1108366     | 1976 6 Cyl. With ST.                        | 12-13          |
| 1108778        | 1108429     | 1976 6 Cyl. with AT.                        | 12-13          |
| 1108765        | 230232      | 1976 260 and 350 Eng.                       | 12-13          |
| 1108794        | 1109026     | 1976 455 Eng.                               | 12-13          |

\* — PRODUCTION PART NO. STAMPED ON UNIT



**1964-68 STARTING MOTOR COMPONENT PARTS**

(FOR STARTING MOTOR ASSY. APPLICATION REFER TO STARTING MOTOR CHART PAGE 1)



**MAJOR PARTS**

| Starting Motor Assembly Number | Frame C. E. | Brush   | Holder Ground | Holder Insul. | Spring Brush | Support Package | Lead Ground | Coil    | Coil Shunt | Armature | Spring Assist |
|--------------------------------|-------------|---------|---------------|---------------|--------------|-----------------|-------------|---------|------------|----------|---------------|
|                                | 1           | 2       | 3             | 4             | 5            | 6               | 7           | 8       | 9          | 10       | 11            |
| 1107260                        | 1928966     | 1906945 | 1940477       | 1926618       | 1926622      | 1928015         | 1960864     | 1891314 | —          | 1955937  | —             |
| 1108348                        | "           | "       | "             | "             | "            | "               | "           | 1935128 | 1935131    | "        | —             |
| 1107330                        | "           | "       | "             | "             | "            | "               | "           | 1949332 | 1952304    | 1940624  | —             |
| 1107374                        | "           | "       | "             | "             | "            | "               | "           | 1935128 | 1935131    | 1955937  | —             |
| 1107399                        | "           | "       | "             | "             | "            | "               | "           | 1891314 | —          | "        | —             |
| 1108333                        | "           | "       | "             | "             | "            | "               | "           | 1877306 | —          | 1940624  | —             |
| 1108348                        | "           | "       | "             | "             | "            | "               | "           | 1949332 | 1952304    | "        | —             |
| 1108349                        | "           | "       | "             | "             | "            | "               | "           | 1935128 | 1935131    | 1955937  | —             |
| 1108363                        | 1940385     | 1940640 | "             | "             | "            | "               | 1960864     | 1957375 | —          | 1966228  | —             |
| 1108366                        | "           | "       | "             | "             | "            | "               | "           | 1891314 | —          | 1966228  | —             |
| 1108365                        | "           | "       | "             | "             | "            | "               | "           | 1891314 | —          | "        | —             |
| 1108383                        | "           | "       | "             | "             | "            | "               | "           | 1877306 | —          | 1940624  | —             |

| Starting Motor Assembly Number | Drive Assembly | Collar Stop | Ring Retaining | Collar Thrust | Housing Drive | Switch  | Spring Plunger | Plunger | Lever Shift | Pin Lever | Stud Lever |
|--------------------------------|----------------|-------------|----------------|---------------|---------------|---------|----------------|---------|-------------|-----------|------------|
|                                | 12             | 13          | 14             | 15            | 16            | 17      | 18             | 19      | 20          | 21        | 22         |
| 1107260                        | 1954842        | 1927849     | 1927848        | 1927850       | 1968122       | 1114356 | 1958679        | 1941113 | 1951567     | 456652    | 1945804    |
| 1108348                        | "              | "           | "              | "             | 1969156       | "       | "              | "       | "           | "         | "          |
| 1107330                        | "              | "           | "              | "             | "             | "       | "              | "       | "           | "         | "          |
| 1107374                        | "              | "           | "              | "             | 1968122       | "       | "              | "       | "           | "         | "          |
| 1107399                        | "              | "           | "              | "             | "             | "       | "              | "       | "           | "         | "          |
| 1108333                        | "              | "           | "              | "             | 1969156       | "       | "              | "       | "           | "         | "          |
| 1108348                        | "              | "           | "              | "             | "             | "       | "              | "       | "           | "         | "          |
| 1108349                        | "              | "           | "              | "             | "             | "       | "              | "       | "           | "         | "          |
| 1108363                        | "              | "           | "              | "             | 1970310       | "       | "              | "       | "           | "         | "          |
| 1108366                        | "              | "           | "              | "             | 1968122       | "       | "              | "       | "           | "         | "          |
| 1108365                        | "              | "           | "              | "             | 1968122       | "       | "              | "       | "           | "         | "          |
| 1108383                        | "              | "           | "              | "             | 1969156       | "       | "              | "       | "           | "         | "          |

**1964-68 STARTING MOTOR COMPONENT PARTS**

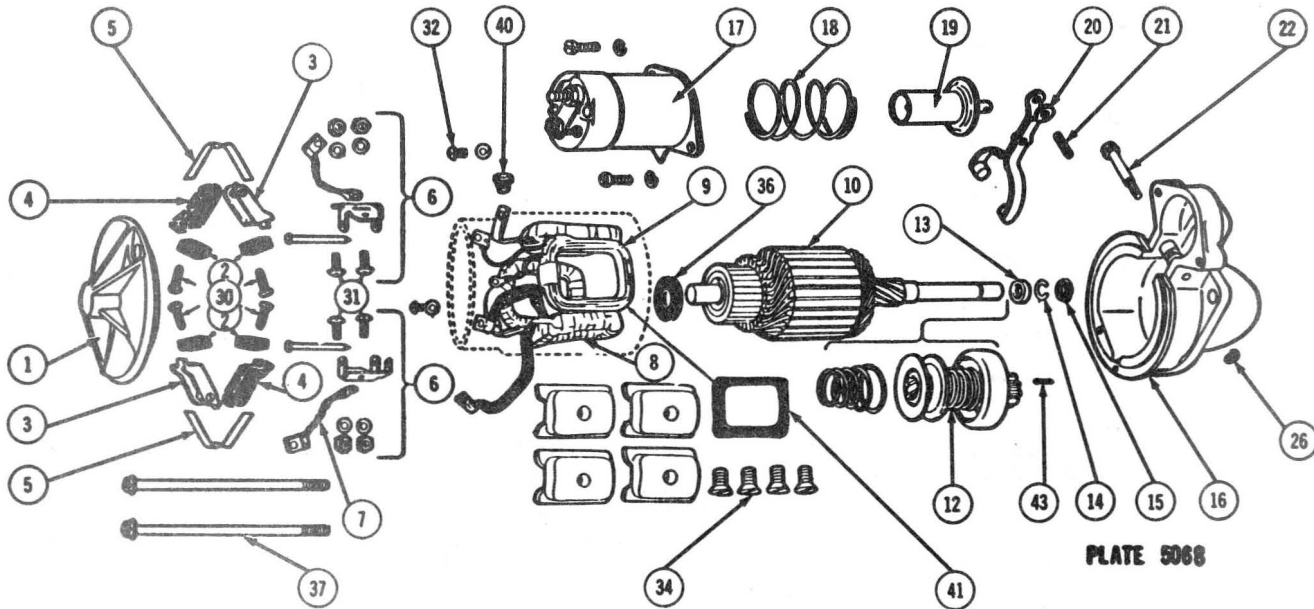
**MINOR PARTS**

| KEY | DESCRIPTION                            | 1107260 | 1108348 | 1107330 | 1107374 | 1107399 | 1108333 | 1108348 | 1108349 | 1108363 | 1108366 | 1108365 | 1108383 |
|-----|--|---------|---------|---------|---------|---------|---------|---------|---------|---------|---------|---------|---------|
| 23  | LOCKWASHER, Brush Holder Support Screw | 453435  | *       | *       | *       | *       | *       | *       | *       | *       | *       | *       | *       |
| 24  | LOCKWASHER, Field Lead Screw—To Switch | 121801  | *       | *       | *       | *       | *       | *       | *       | —       | —       | —       | —       |
| 25  | LOCKWASHER, Field Screw—To Ground      | —       | —       | —       | —       | —       | —       | —       | —       | —       | —       | —       | —       |
| 26  | LOCKWASHER, Shift Lever Stud           | —       | —       | —       | —       | —       | —       | —       | —       | —       | —       | —       | —       |
| 27  | LOCKWASHER, Switch Attach. Screw       | 9421423 | *       | *       | *       | *       | *       | *       | *       | *       | *       | *       | *       |
| 28  | NUT, Support Screw —Pkg. of 100        | 5721822 | *       | *       | *       | *       | *       | *       | *       | N.L.A.  | *       | *       | *       |
| 29  | NUT, Shift Lever Stud                  | —       | —       | —       | —       | —       | —       | —       | —       | —       | 1926640 | 1926640 | —       |
| 30  | SCREW, Brush                           | 448015  | *       | *       | *       | *       | *       | *       | *       | Disc.   | *       | *       | *       |
| 31  | SCREW, Support                         | 274738  | *       | *       | *       | *       | *       | *       | *       | N.L.A.  | *       | *       | *       |
| 32  | SCREW, Field Lead                      | 9427815 | —       | *       | *       | *       | *       | *       | *       | —       | 9427815 | 9427815 | 9427815 |
| 33  | SCREW                                  | —       | —       | —       | —       | —       | —       | —       | —       | —       | —       | —       | —       |
| 34  | SCREW, Pole Shoe                       | 1970469 | *       | *       | *       | *       | *       | *       | *       | 1913960 | *       | *       | *       |
| 35  | SCREW, Switch Attach.                  | 132255  | *       | *       | *       | *       | *       | *       | *       | *       | *       | *       | *       |
| 36  | WASHER, Brake—C.E.                     | 818265  | *       | *       | *       | *       | *       | *       | *       | *       | *       | *       | *       |
| 37  | BOLT, Thru —With Extension             | 1941111 | —       | —       | —       | —       | —       | —       | —       | —       | —       | —       | *       |
|     | BOLT, Thru —Less Extension             | 1939970 | *       | *       | *       | *       | *       | *       | *       | *       | *       | *       | *       |
| 39  | BUSHING, D.E.                          | 1923907 | *       | *       | *       | *       | *       | *       | *       | 1930879 | *       | *       | *       |
| 40  | GROMMET (In Field Frame)               | 1966391 | *       | 1965047 | *       | *       | 1965047 | 1965047 | *       | 1966391 | *       | *       | 1965047 |
| 41  | INSULATOR, Field Coil                  | 1927853 | —       | —       | *       | *       | —       | —       | *       | —       | —       | —       | —       |
| 42  | PIN, Support                           | 1966923 | *       | *       | 1938058 | 1938058 | *       | *       | *       | —       | *       | *       | *       |
| 43  | PIN, Dowel—D.E.                        | 817313  | *       | *       | *       | *       | 809062  | *       | *       | 817313  | *       | *       | *       |
| 44  | SHOE, Pole                             | 1931129 | *       | 810601  | *       | *       | 810601  | 810601  | *       | 1931129 | *       | *       | 810601  |
|     | RING, Shaft Lever Retaining            | 9416878 | *       | *       | *       | *       | *       | *       | *       | *       | *       | *       | *       |
|     | BOOT, Plunger                          | —       | —       | —       | —       | —       | —       | —       | —       | 1970263 | —       | —       | —       |
|     | PLUG, Pipe—D.E. & C.E.                 | —       | —       | —       | —       | —       | —       | —       | —       | 9427882 | —       | —       | —       |
|     | WICK, C.E.                             | —       | —       | —       | —       | —       | —       | —       | —       | 1919851 | —       | —       | —       |
|     | WICK, D.E.                             | —       | —       | —       | —       | —       | —       | —       | —       | 1916439 | —       | —       | —       |

\* PART NUMBER SAME AS NUMBER IN FIRST COLUMN.

| SOLENOID SWITCH PARTS               | 1114356 |
|-------------------------------------|---------|
| STUD, Term (3/8-16) — Motor         | 1955499 |
| STUD, Term (8-32) — Switch          | 822205  |
| CLIP, Term                          | 1937381 |
| COVER                               | 1963525 |
| GASKET, Cover                       | 1966034 |
| WASHER, Cover Screw                 | 3961507 |
| SCREW, Cover                        | 453468  |
| STUD, Term (3-32) — Resistor        | 822205  |
| CONTACT, Term (8-32)                | 1935645 |
| CONTACT & PUSH ROD                  | 1956226 |
| WASHER, Term Stud (3/8-16) — Rubber | 1950064 |
| WASHER, Term Stud (3/8-16) — Plain  | 3765135 |
| WASHER, Term Stud (8-32) — Rubber   | 1950071 |
| WASHER, Term Stud (8-32) — Plain    | 1914476 |
| NUT, Term Stud (3/8-16)             | N.L.A.  |
| SPRING, Contact Return              | 1853342 |
| SCREW, Field Lead To Term (10-32)   | 9427815 |
| SPRING, Plunger Return              | 1958679 |

**1969 STARTING MOTOR**



**1969 STARTING MOTOR USAGE**

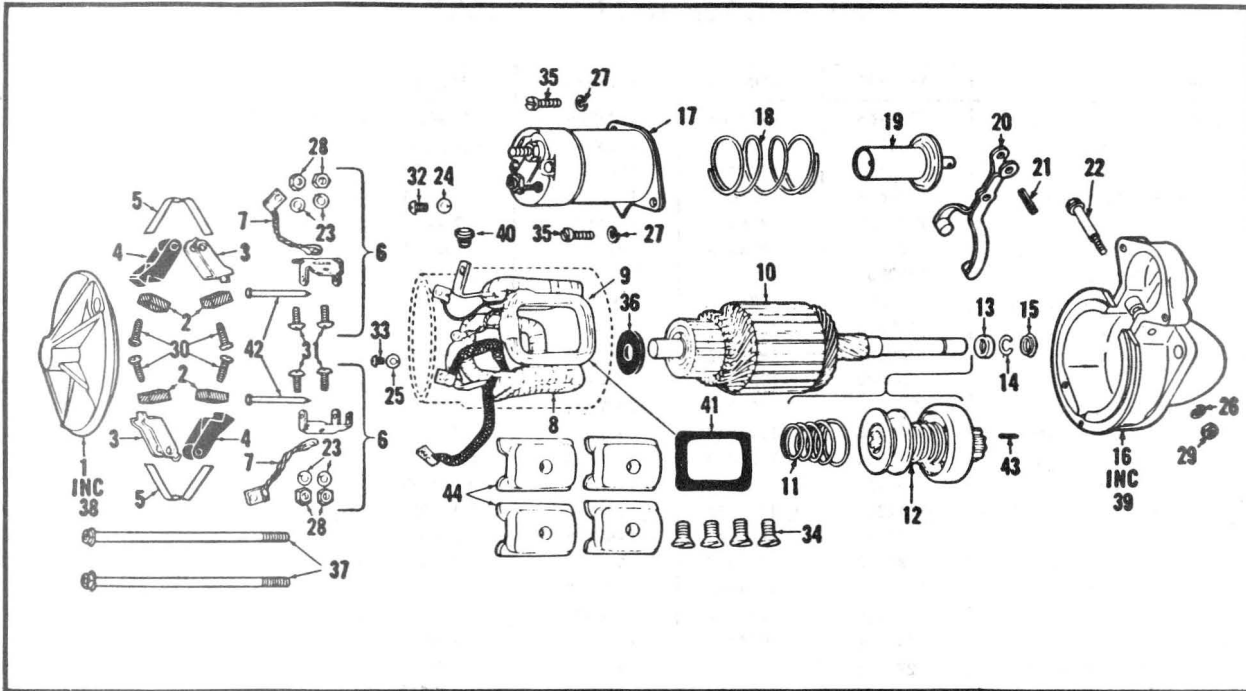
| Model Application | Assembly Production No. | Assembly Service No. |
|-------------------|-------------------------|----------------------|
| All V-8 4 BC      | 1108348                 | 1108348              |
| All V-8 2 BC      | 1108349                 | 1108348              |
|                   | —                       | 1108363              |
| All 6 Cyl.        | 1108365                 | 1108366              |

### 1969 STARTER MOTOR CHART

| Key | Description   | 1108348                          | 1108349                          | 1108365                          | 1108363                          | 1108366                          | Quantity | Group |
|-----|---|----------------------------------|----------------------------------|----------------------------------|----------------------------------|----------------------------------|----------|-------|
| 1   | Frame C .....   | 1928966                          | 1928966                          | 1928966                          | <b>1928966</b>                   | 1928966                          | 1        | 2.067 |
| 2   | Brush, Commutator .....                               | 1906945                          | 1906945                          | 1906945                          | <b>1906945</b>                   | 1906945                          | 4        | 2.051 |
| 3   | Holder, Brush (Ground) .....                          | 1940477                          | 1940477                          | 1940477                          | <b>1940477</b>                   | 1940477                          | 2        | 2.052 |
| 4   | Holder, Brush (Insulated) .....                       | 1926618                          | 1926618                          | 1926618                          | <b>1926618</b>                   | 1926618                          | 2        | 2.052 |
| 5   | Spring, Brush Holder .....                            | 1926622                          | 1926622                          | 1926622                          | <b>1926622</b>                   | 1926622                          | 2        | 2.053 |
| 6   | Support Pkg. ....                                     | 1928015                          | 1928015                          | 1928015                          | <b>1928015</b>                   | 1928015                          | 1        | 2.052 |
| 7   | Lead, Brush Ground .....                              | <b>1960864</b>                   | 1960864                          | 1960864                          | <b>1960864</b>                   | 1960864                          | 2        | N.L.  |
| 8   | Coil Assembly, Field (3 Coil) .....                   | 1949332                          | 1935128                          | <b>1891314</b>                   | <b>1891314</b>                   | 1891314                          | 1        | 2.049 |
| 9   | Coil, Field (Shunt) .....                             | 1952304                          | 1935131                          | —                                | —                                | —                                | 1        | 2.049 |
| 10  | Armature .....  | 1940624                          | 1955937                          | 1966228                          | <b>1966228</b>                   | 1966228                          | 1        | 2.043 |
| 12  | Drive Assembly .....                                  | 1954842                          | 1954842                          | <b>1954842</b>                   | <b>1954842</b>                   | 1954842                          | 1        | 2.086 |
| 13  | Collar, Pinion Stop .....                             | 1927849                          | 1927849                          | 1927849                          | <b>1927849</b>                   | 1927849                          | 1        | 2.063 |
| 14  | Ring, Pinion Stop Retainer .....                      | 1927848                          | 1927848                          | 1927848                          | <b>1927848</b>                   | 1927848                          | 1        | 2.063 |
| 15  | Washer, Drive End Thrust .....                        | 1927850                          | 1927850                          | 1927850                          | <b>1927850</b>                   | 1927850                          | 1        | 2.063 |
| 16  | Housing, Drive Gear .....                             | 1969156                          | 1969156                          | 1968122                          | <b>1968122</b>                   | 1968122                          | 1        | 2.085 |
| 17  | Switch, Solenoid (CPS below) <input type="checkbox"/> | <input type="checkbox"/> 1114356 | <input type="checkbox"/> 1114356 | <input type="checkbox"/> 1114356 | <input type="checkbox"/> 1114356 | <input type="checkbox"/> 1114356 | 1        | 2.100 |
| 18  | Spring Plunger .....                                  | 1958679                          | 1958679                          | 1958679                          | <b>1958679</b>                   | 1958679                          | 1        | 2.108 |
| 19  | Plunger .....   | 1941113                          | 1941113                          | 1941113                          | <b>1941113</b>                   | 1941113                          | 1        | 2.113 |
| 20  | Lever, Shift (lower) .....                            | 1951567                          | 1951567                          | 1951567                          | <b>1951567</b>                   | 1951567                          | 1        | 2.108 |
| 21  | Pin, Lever .....                                      | 456652                           | 456652                           | 456652                           | <b>456652</b>                    | 456652                           | 1        | 2.108 |
| 22  | Stud, Lever .....                                     | 1945804                          | 1945804                          | 1945804                          | <b>1945804</b>                   | 1945804                          | 1        | N.L.  |
| 26  | Lockwasher, Shift Lever Stud .....                    | 274676                           | 274676                           | 274676                           | <b>274676</b>                    | 274676                           | 1        | 2.108 |
| 30  | Screw, Brush Attaching .....                          | 448015                           | 448015                           | 448015                           | <b>448015</b>                    | 448015                           | 4        | N.L.  |
| 31  | Screw, Brush Holder Support .....                     | 274738                           | 274738                           | 274738                           | <b>274738</b>                    | 274738                           | 4        | 2.052 |
| 32  | Screw, Field Lead Attaching .....                     | <b>9427815</b>                   | <b>9427815</b>                   | 9427815                          | <b>9427815</b>                   | 9427815                          | 1        | 2.077 |
| 34  | Screw, Pole Shoe Attaching .....                      | <b>1970469</b>                   | <b>1970469</b>                   | 1970469                          | <b>1970469</b>                   | 1970469                          | 4        | 2.077 |
| 36  | Washer, C.E. (leather) .....                          | 818265                           | 818265                           | 818265                           | <b>818265</b>                    | 818265                           | 1        | 2.063 |
| 37  | Bolt, (through) less ext. ....                        | 1939970                          | 1939970                          | 1939970                          | <b>1968370</b>                   | 1968370                          | 2        | 2.077 |
| 38  | Bushing, C.E. (not shown) .....                       | —                                | —                                | 1872678                          | <b>1872678</b>                   | 1872678                          | 1        | N.L.  |
| 39  | Bushing, D.E. (not shown) .....                       | 1923907                          | 1923907                          | 1923907                          | <b>1923907</b>                   | 1923907                          | 1        | 2.083 |
| 40  | Grommet (in Field Frame) .....                        | <b>1949327</b>                   | 1966391                          | 1966391                          | <b>1966391</b>                   | 1966391                          | 1        | 2.102 |
| 41  | Insulator, Shunt Coil .....                           | —                                | 1927853                          | 1927853                          | <b>1927853</b>                   | 1927853                          | 1        | 2.049 |
| 42  | Pin, Brush Hinge .....                                | 1966923                          | 1966923                          | 1966923                          | <b>1966923</b>                   | 1966923                          | 2        | 2.052 |
| 43  | Dowel Pin, D.E. ....                                  | 817313                           | 817313                           | 817313                           | <b>817313</b>                    | 817313                           | 1        | N.L.  |

### 1969 SOLENOID SWITCH BREAK DOWN CHART

| Description   | Component No.  | Description  | Component No.  |
|---|----------------|--|----------------|
| <input type="checkbox"/> Stud, Terminal (3/8-16)—Motor .....  | <b>1955499</b> | <input type="checkbox"/> Contact, Push Rod Assy. ....                | 1956226        |
| <input type="checkbox"/> Stud, Terminal (8-32)—Switch .....   | 822205         | <input type="checkbox"/> Washer, Terminal Stud (3/8-16)—Rubber ..... | 1950064        |
| <input type="checkbox"/> Clip, Terminal (for 8-32) .....      | 1937381        | <input type="checkbox"/> Washer, Terminal Stud (3/8-16)—Plain .....  | <b>3765135</b> |
| <input type="checkbox"/> Cover, Solenoid Switch .....         | 1963525        | <input type="checkbox"/> Washer, Terminal Stud (8-32)—Plain .....    | 1914476        |
| <input type="checkbox"/> Gasket Cover .....                   | 1966034        | <input type="checkbox"/> Nut, (3/8-16)—Terminal Stud .....           | N.L.A.         |
| <input type="checkbox"/> Washer, Cover Screw .....            | 3961507        | <input type="checkbox"/> Spring, Contact Return .....                | 1853342        |
| <input type="checkbox"/> Screw, Cover .....                   | 453468         | <input type="checkbox"/> Screw, Field Lead to Terminal .....         | <b>9427815</b> |
| <input type="checkbox"/> Stud, Terminal (8-32)—Resister ..... | 822205         | <input type="checkbox"/> Spring, Plunger Return .....                | 1958679        |
| <input type="checkbox"/> Contact, (8-32)—Terminal .....       | 1935645        |  |                |



**1970-73 STARTING MOTOR**

**NOTE:** For Part Numbers On Above Components See Opposite Illustration.

**1970-73 STARTING MOTOR ASSEMBLIES AND ENGINE USAGE**

| Production Assembly | Service Assembly   | Engine Usage                |
|---------------------|--------------------|-----------------------------|
| 1108365             | 1108363<br>1108366 | 6 Cyl. Engine               |
| 1108386             |                    | 350 /2 BC/ Engine           |
| 1108387             | 1108389            | 350 /4 BC/ Engine           |
| 1108387             | 1108389            | 455 /2 BC/ Low Comp. Engine |
| 1108389             | 1108389            | 455 /2 BC/ Hi Comp. Engine  |
| 1108387             | 1108389            | 455 /4 BC/ Engine           |
| 1108389             | 1108389            | 455/4 BC/ Engine            |

\*NOTE — For Components See Chart Page 5

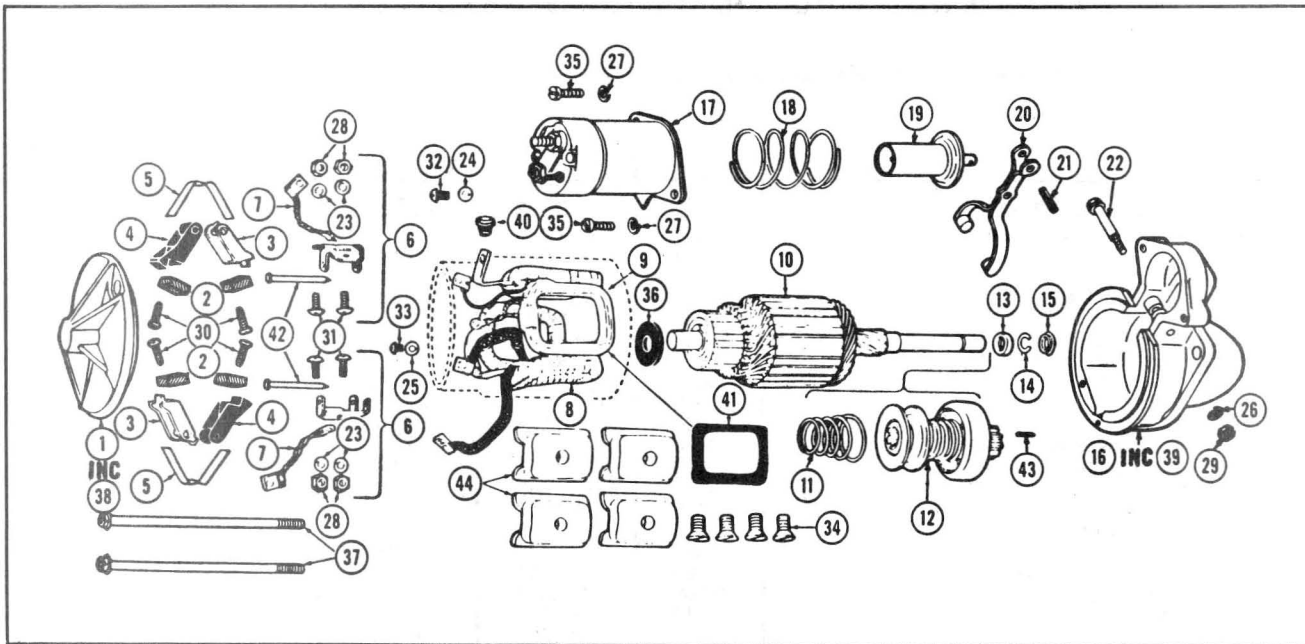


### 1970-73 STARTING MOTOR CHART (ASSEMBLIES AND COMPONENTS)

**NOTE:** Refer To Opposite Illustration For Engine Usage Of Each Assembly.

| Key                          | Components                          | Group | PRODUCTION ASSEMBLIES |         |         |         |
|------------------------------|-------------------------------------|-------|-----------------------|---------|---------|---------|
|                              |                                     |       | 1108365               | 1108386 | 1108387 | 1108389 |
| 1                            | Frame, Commutator End               | 2.067 | 1928966               | *       | *       | *       |
| 2                            | Brush                               | 2.051 | 1906945               | *       | *       | *       |
| 3                            | Holder, Ground                      | 2.052 | 1940477               | *       | *       | *       |
| 4                            | Holder, Insulated                   | 2.052 | 1926618               | *       | *       | *       |
| 5                            | Spring, Brush                       | 2.053 | 1926622               | *       | *       | *       |
| 6                            | Support Kit                         | 2.052 | 1928015               | *       | *       | *       |
| 7                            | Lead, Ground                        | 2.055 | 1960864               | *       | *       | *       |
| 8                            | Field Coil Assembly                 | 2.049 | <b>1891314</b>        | 1935128 | 1949332 | 1877306 |
| 9                            | Coil, Shunt                         | 2.049 |                       | 1935131 | 1952304 | —       |
| 10                           | Armature                            | 2.043 | 1966228               | 1971568 | 1970548 | 1970548 |
| 11                           | Spring, Drive Gear Return           | N.S.  | —                     | —       | —       | —       |
| 12                           | Drive Assembly                      | 2.086 | 1954842               | *       | *       | *       |
| 13                           | Collar, Stop                        | 2.063 | 1927849               | *       | *       | *       |
| 14                           | Ring, Retainer                      | 2.063 | 1927848               | *       | *       | *       |
| 15                           | Collar, Thrust                      | 2.063 | 1927850               | *       | *       | *       |
| 16                           | Housing, Drive                      | 2.085 | 1968122               | 801227  | 801227  | 801227  |
| 17                           | Switch, Solenoid (See Below)        | 2.100 | 1114356               | *       | *       | *       |
| 18                           | Spring, Plunger                     | 2.108 | 1958679               | *       | *       | *       |
| 19                           | Plunger, Solenoid                   | 2.113 | 1941113               | *       | *       | *       |
| 20                           | Lever, Shift                        | 2.108 | 1951567               | 801433  | 801433  | 801433  |
| 21                           | Pin, Lever                          | 2.108 | 456652                | *       | *       | *       |
| 22                           | Stud, Lever                         | 2.108 | 1945804               | *       | *       | *       |
| 23                           | Lockwasher                          | S.S.  | 453435                | *       | *       | *       |
| 24                           | Washer                              | N.L.  | —                     | —       | —       | —       |
| 25                           | Washer                              | N.L.  | —                     | —       | —       | —       |
| 26                           | Lockwasher                          | N.S.  | —                     | —       | —       | —       |
| 27                           | Lockwasher                          | S.S.  | 9421423               | —       | —       | —       |
| 28                           | Nut, Support Screw — Pkg. of 100    | S.S.  | 5721822               | *       | *       | *       |
| 29                           | Nut, Shift Lever Stud               | S.S.  | —                     | —       | —       | —       |
| 30                           | Screw, Brush                        | S.S.  | 448015                | *       | *       | *       |
| 31                           | Screw, Support                      | S.S.  | 274738                | *       | *       | *       |
| 32                           | Screw, Field Lead                   | 2.077 | 9427815               | *       | *       | *       |
| 33                           | Screw                               | N.L.  | —                     | —       | —       | —       |
| 34                           | Screw, Pole Shoe                    | 2.077 | 1970469               | *       | *       | *       |
| 35                           | Screw, Switch Attach.               | N.L.  | —                     | —       | —       | —       |
| 36                           | Washer, Brake — C.E.                | 2.063 | 818265                | *       | *       | *       |
| 37                           | Bolt Thru — With Extension          | 2.077 | —                     | —       | —       | —       |
|                              | Bolt Thru — Less Extension          | 2.077 | 1939970               | *       | *       | *       |
| 39                           | Bushing, D.E.                       | 2.083 | 1923907               | *       | *       | 1932190 |
| 40                           | Grommet (In Field Frame)            | 2.102 | 1966391               | *       | *       | 1846097 |
| 41                           | Insulator, Field Coil               | 2.049 | 1927853               | *       | —       | —       |
| 42                           | Pin, Support                        | 2.052 | 1966923               | *       | *       | 1938058 |
| 43                           | Pin, Dowel — D.E.                   | 2.054 | 817313                | *       | *       | *       |
| 44                           | Shoe, Pole                          | 2.077 | 1931129               | *       | —       | —       |
| <b>Solenoid Switch Parts</b> |                                     |       |                       |         |         |         |
|                              | Stud, Term (3/8-16) — Motor         | S.S.  | 1955499               | *       | *       | *       |
|                              | Stud, Term (8-32) — Switch          | 2.102 | 822205                | *       | *       | *       |
|                              | Clip, Term                          | S.S.  | 1937381               | *       | *       | *       |
|                              | Cover                               | 2.104 | 1963525               | *       | *       | *       |
|                              | Gasket, Cover                       | 2.105 | 1966034               | *       | *       | *       |
|                              | Washer, Cover                       | 2.106 | 3961507               | *       | *       | *       |
|                              | Screw, Cover                        | S.S.  | 453468                | *       | *       | *       |
|                              | Stud, Term (8-32) — Resistor        | 2.102 | 822205                | *       | *       | *       |
|                              | Contact, Term (8-32)                | 2.130 | 1935645               | *       | *       | *       |
|                              | Contact & Push Rod                  | 2.130 | 1956226               | *       | *       | *       |
|                              | Washer, Term Stud (3/8-16) — Rubber | 2.134 | 1950064               | *       | *       | *       |
|                              | Washer, Term Stud (3/8-16) Plain    | S.S.  | 3765135               | *       | *       | *       |
|                              | Washer, Term Stud (8-32) — Rubber   | S.S.  | 1950071               | *       | *       | *       |
|                              | Washer, Term Stud (8-32) — Plain    | S.S.  | 1914476               | *       | *       | *       |
|                              | Nut, Term Stud (3/8-16)             | S.S.  | N.L.A.                | *       | *       | *       |
|                              | Spring, Contact Return              | 2.183 | 1853342               | *       | *       | *       |
|                              | Screw, Field Lead To Term (10-32)   | 2.100 | 9427815               | *       | *       | *       |
|                              | Spring, Plunger Return              | 2.108 | 1958679               | *       | *       | *       |
| <b>Non-Illustrated Parts</b> |                                     |       |                       |         |         |         |
|                              | Ring, Shaft Lever Retaining         | S.S.  | 274676                | *       | *       | *       |

\* Part Number Same As First Column.



**1974 STARTING MOTOR**

NOTE: For part numbers on above components See Opposite Illustration.

1974 STARTING MOTOR ASSEMBLIES AND ENGINE USAGE

| PRODUCTION ASSEMBLY | SERVICE ASSEMBLY | ENGINE USAGE  |
|---------------------|------------------|---------------|
| 1108516             | 1108519          | 350 Eng./4BC/ |
| 1108517             | 1108519          | 455 Eng./4BC/ |



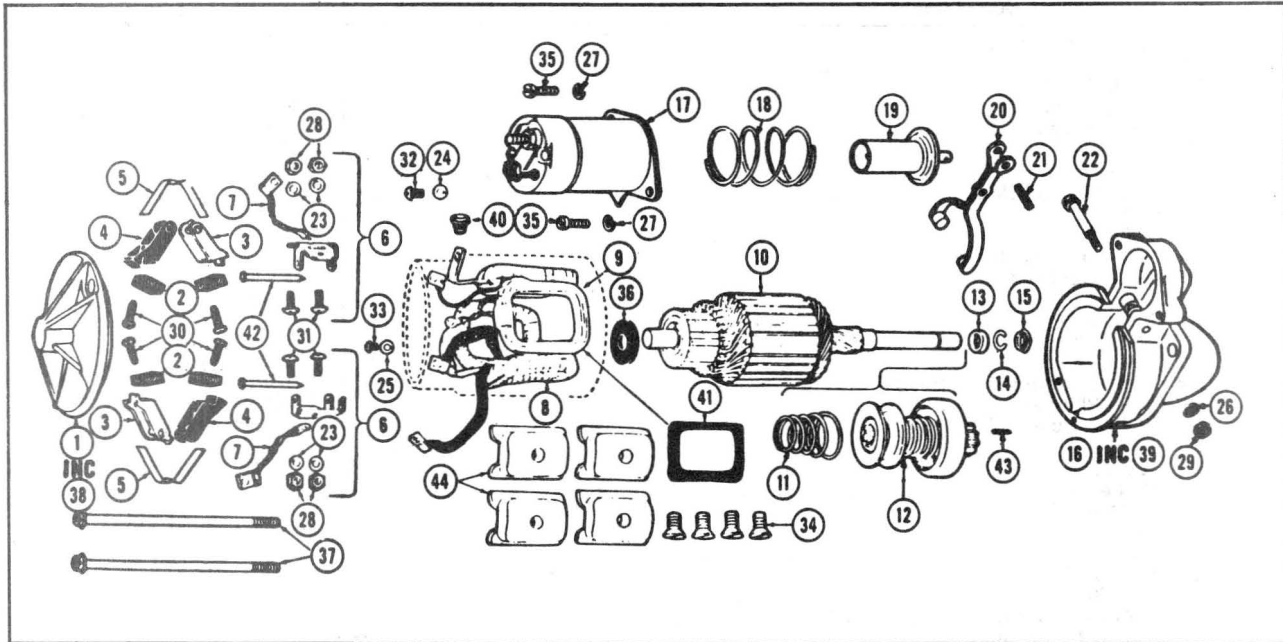
### 1974 STARTING MOTOR CHART (ASSEMBLIES AND COMPONENTS)

| Key | Components                             | Production Assemblies |         |
|-----|--|-----------------------|---------|
|     |  | 1108516               | 1108517 |
| 1   | FRAME, Commutator End .....            | 1928966               | *       |
| 2   | BRUSH .....                            | 1906945               | *       |
| 3   | HOLDER, Ground .....                   | 1940477               | *       |
| 4   | HOLDER, Insulated .....                | 1926618               | *       |
| 5   | SPRING, Brush .....                    | 1926622               | *       |
| 6   | SUPPORT KIT .....                      | 1928015               | *       |
| 7   | LEAD, Ground .....                     | 1960864               | *       |
| 8   | FIELD COIL ASSEMBLY .....              | 1935128               | 1949332 |
| 9   | COIL, Shunt .....                      | 1935131               | 1952304 |
| 10  | ARMATURE .....                         | <b>1971568</b>        | *       |
| 11  | SPRING, Drive Gear Return .....        | N.S.                  | —       |
| 12  | DRIVE ASSEMBLY .....                   | 1875687               | *       |
| 13  | COLLAR, Stop .....                     | 1927849               | *       |
| 14  | RING, Retainer .....                   | 1927848               | *       |
| 15  | COLLAR, Thrust .....                   | 1927850               | *       |
| 16  | HOUSING Drive .....                    | 801227                | *       |
| 17  | SWITCH, Solenoid (See Below) .....     | 1114356               | *       |
| 18  | SPRING, Plunger .....                  | 1958679               | *       |
| 19  | PLUNGER, Solenoid .....                | 1941113               | *       |
| 20  | LEVER, Shift .....                     | 801433                | *       |
| 21  | PIN, Lever .....                       | 456652                | *       |
| 22  | STUD, Lever .....                      | 1945804               | *       |
| 23  | LOCKWASHER .....                       | S.S.                  | *       |
| 24  | WASHER .....                           | N.L.                  | —       |
| 25  | WASHER .....                           | N.L.                  | —       |
| 26  | LOCKWASHER .....                       | N.S.                  | —       |
| 27  | LOCKWASHER .....                       | S.S.                  | *       |
| 28  | NUT, Support Screw — Pkg. of 100 ..... | —                     | —       |
| 29  | NUT, Shift Lever Stud .....            | —                     | —       |
| 30  | SCREW, Brush .....                     | —                     | —       |
| 31  | SCREW, Support .....                   | 274738                | 274738  |
| 32  | SCREW, Field Lead .....                | N.L.A.                | *       |
| 33  | SCREW .....                            | —                     | —       |
| 34  | SCREW, Pole Shoe .....                 | <b>1970469</b>        | *       |
| 35  | SCREW, Switch Attachment .....         | —                     | —       |
| 36  | WASHER, Brake — C.E. .....             | 818265                | *       |
| 37  | BOLT, Thru — With Extension .....      | —                     | —       |
|     | BOLT, Thru — Less Extension .....      | 1939970               | *       |
| 39  | BUSHING, D.E. .....                    | —                     | 1932190 |
| 40  | GROMMET, (In Field Frame) .....        | 1966391               | 1949327 |
| 41  | INSULATOR, Field Coil .....            | 1927853               | —       |
| 42  | PIN, Support .....                     | 1938058               | *       |
| 43  | PIN, Dowel — D.E. .....                | 817313                | *       |
| 44  | SHOE, Pole .....                       | 1931129               | 810601  |

| Solenoid Switch Parts                 |       |                |   |   |   |
|---------------------------------------|-------|----------------|---|---|---|
| Stud, Term (3/8 - 16) — Motor         | S.S.  | 1955499,       | * | * | * |
| Stud, Term (8-32) — Switch            | 2.102 | 822205         | * | * | * |
| Clip, Term                            | S.S.  | 1937381        | * | * | * |
| Cover                                 | 2.104 | 1963525        | * | * | * |
| Gasket, Cover                         | 2.105 | 1966034        | * | * | * |
| Washer, Cover                         | 2.106 | <b>3961507</b> | * | * | * |
| Screw, Cover                          | S.S.  | 453468         | * | * | * |
| Stud, Term (8 - 32) — Resistor        | 2.102 | 822205         | * | * | * |
| Contact, Term (8 - 32)                | 2.130 | 1935645        | * | * | * |
| Contact & Push Rod                    | 2.130 | 1956226        | * | * | * |
| Washer, Term Stud (3/8 - 16) — Rubber | 2.134 | 1950064        | * | * | * |
| Washer, Term Stud (3/8 - 16) Plain    | S.S.  | 3765135        | * | * | * |
| Washer, Term Stud (8 - 32) — Rubber   | S.S.  | 1950071        | * | * | * |
| Washer, Term Stud (8 - 32) — Plain    | S.S.  | 1914476        | * | * | * |
| Nut, Term Stud (3/8 - 16)             | S.S.  | N.L.A.         | * | * | * |
| Spring, Contact Return                | 2.183 | 1853342        | * | * | * |
| Screw, Field Lead To Term (10-32)     | 2.100 | 9427815        | * | * | * |
| Spring, Plunger Return                | 2.108 | 1958679        | * | * | * |
| Non-Illustrated Parts                 |       |                |   |   |   |
| Ring, Shaft Lever Retaining           | S.S.  | 274676         | * | * | * |

## 1971-75 STARTING MOTOR COMPONENT PARTS

(FOR STARTING MOTOR ASSY. APPLICATION REFER TO CHART PAGE 1)



(Note: For Part Numbers on above Components — See Opposite Illustration)

### MAJOR PARTS

| Starting Motor<br>Assembly<br>Number | Frame<br>C.E. | Brush   | Holder<br>Ground | Holder<br>Insul. | Spring<br>Brush | Support<br>Package | Lead<br>Ground | Coil    | Coil<br>Shunt | Armature | Spring<br>Assist |
|--------------------------------------|---------------|---------|------------------|------------------|-----------------|--------------------|----------------|---------|---------------|----------|------------------|
|                                      | 1             | 2       | 3                | 4                | 5               | 6                  | 7              | 8       | 9             | 10       | 11               |
| <b>1108774</b>                       | 1928966       | 1906945 | 1940477          | 1926618          | 1926622         | 1928015            | 1960864        | 1891314 | —             | 1971568  | —                |
| <b>*1108778</b>                      | "             | "       | "                | "                | "               | "                  | "              | "       | —             | "        | —                |
| <b>1108765</b>                       | "             | "       | "                | "                | "               | "                  | "              | 1877291 | 1935131       | "        | —                |
| <b>1108766</b>                       | "             | "       | "                | "                | "               | "                  | "              | 830950  | 1952304       | 1970548  | —                |

\* SECOND TYPE — 1108745 — FIRST TYPE

| Starting Motor<br>Assembly<br>Number | Drive<br>Assembly | Collar<br>Stop | Ring<br>Retaining | Collar<br>Thrust | Housing<br>Drive | Switch  | Spring<br>Plunger | Plunger<br>Shift | Lever<br>Shift | Pin<br>Lever | Stud<br>Lever |
|--------------------------------------|-------------------|----------------|-------------------|------------------|------------------|---------|-------------------|------------------|----------------|--------------|---------------|
|                                      | 12                | 13             | 14                | 15               | 16               | 17      | 18                | 19               | 20             | 21           | 22            |
| <b>1108774</b>                       | 1954842           | 1927849        | 1927848           | 1927850          | 1876881          | 1114375 | 1958679           | 1941113          | 801433         | 455106       | 1945804       |
| <b>1108778</b>                       | "                 | "              | "                 | "                | 1893864          | "       | "                 | "                | "              | —            | "             |
| <b>1108765</b>                       | 1875687           | "              | "                 | "                | 801227           | "       | "                 | "                | "              | —            | "             |
| <b>1108766</b>                       | "                 | "              | "                 | "                | "                | 1114396 | "                 | "                | "              | —            | "             |

**1971-75 STARTING MOTOR COMPONENT PARTS**

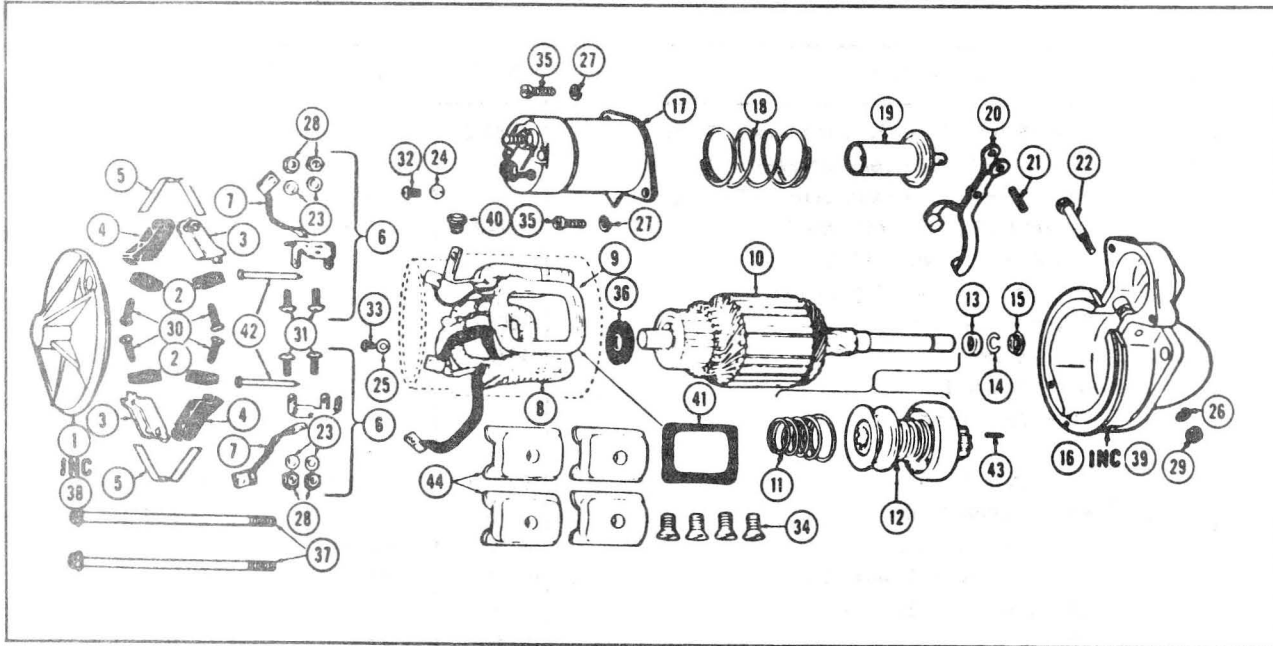
**MINOR PARTS**

| KEY | DESCRIPTION                                     | 1108774 | 1108778 | 1108765 | 1108766 |
|-----|---|---------|---------|---------|---------|
| 23  | LOCKWASHER, Brush Holder Support Screw .....    | 453435  | 453435  | —       | —       |
| 24  | LOCKWASHER, Field Lead Screw—To Switch .....    | —       | —       | —       | —       |
| 25  | LOCKWASHER, Field Lead Screw—To Connector ..... | —       | —       | —       | —       |
| 26  | LOCKWASHER, Shift Lever Stud .....              | 9421424 | 9421424 | —       | —       |
| 27  | LOCKWASHER, Switch Attach, Screw .....          | 9421423 | 9421423 | —       | —       |
| 28  | NUT, Support Screw—Pkg. of 100 .....            | —       | —       | —       | —       |
| 29  | NUT, Shift Lever Stud .....                     | 1926640 | 1926640 | —       | —       |
| 30  | SCREW, Brush .....                              | 448015  | 448015  | 448015  | 448015  |
| 31  | SCREW, Support .....                            | —       | —       | —       | —       |
| 32  | SCREW, Field Lead .....                         | —       | —       | —       | —       |
| 33  | SCREW .....                                     | —       | —       | —       | —       |
| 34  | SCREW, Pole Shoe .....                          | 1968396 | 1970469 | 1968396 | 1970469 |
| 35  | SCREW, Switch Attach. ....                      | —       | —       | —       | —       |
| 36  | WASHER, Brake—C.E. ....                         | 818265  | 818265  | 818265  | 818265  |
| 37  | BOLT, Thru—With Extension .....                 | 1941111 | 1941111 | —       | —       |
|     | BOLT, Thru—Less Extension .....                 | —       | —       | —       | —       |
| 39  | BUSHING, D.E. ....                              | 1923907 | 1923907 | —       | —       |
| 40  | GROMMET, (In Field Frame) .....                 | 1966391 | 1966391 | 1966391 | 1949327 |
| 41  | INSULATOR, Field Coil .....                     | 1927853 | 1927853 | 1927853 | 830951  |
| 42  | PIN, Support .....                              | 1966923 | 1966923 | 1966923 | 1966923 |
| 43  | PIN, Dowel—D.E. ....                            | 1938856 | 1938856 | —       | —       |
| 44  | SHOE, Pole .....                                | 1931129 | 1931129 | 1931129 | 810601  |

| SOLENOID SWITCH PARTS                   | 1114375 | 1114396 |
|---|---------|---------|
| STUD, Term (3/8-16)—Motor .....         | —       | —       |
| STUD, Term (8-32)—Switch .....          | —       | —       |
| CLIP, Term .....                        | —       | —       |
| COVER .....                             | —       | —       |
| GASKET, Cover .....                     | —       | —       |
| WASHER, Cover Screw .....               | —       | —       |
| SCREW, Cover .....                      | —       | —       |
| STUD, Term (8-32)—Resistor .....        | —       | —       |
| CONTACT, Term (8-32) .....              | —       | —       |
| CONTACT & PUSH ROD .....                | 1956226 | 1956226 |
| WASHER, Term Stud (3/8-16)—Rubber ..... | —       | —       |
| WASHER, Term Stud (3/8-16)—Plain .....  | —       | —       |
| WASHER, Term Stud (8-32)—Rubber .....   | —       | —       |
| WASHER, Term Stud (8-32)—Plain .....    | —       | —       |
| NUT, Term Stud (3/8-16) .....           | —       | —       |
| SPRING, Contact Return .....            | —       | —       |
| SCREW, Field Lead To Term (10-32) ..... | —       | —       |
| SPRING, Plunger Return .....            | —       | —       |

## 1976 STARTING MOTOR COMPONENT PARTS

(FOR STARTING MOTOR ASSY. APPLICATION REFER TO CHART PAGE 1)



(Note: For Part Numbers on above Components — See Opposite Illustration)

| STARTING MOTOR ASSEMBLY NUMBER | FRAME C.E. | BRUSH   | HOLDER GROUND | HOLDER INSUL. | SPRING BRUSH | SUPPORT PACKAGE | LEAD GROUND | FIELD COIL | SHUNT COIL | ARM-ATURE | DRIVE   | STOP COLLAR | RING RETAINER |
|--------------------------------|------------|---------|---------------|---------------|--------------|-----------------|-------------|------------|------------|-----------|---------|-------------|---------------|
|                                | 1          | 2       | 3             | 4             | 5            | 6               | 7           | 8          | 9          | 10        | 12      | 13          | 14            |
| 1108774                        | 1928966    | 1906945 | 1940477       | 1926618       | 1926622      | 1928015         | 1960864     | 1891314    | —          | 1971568   | 1954842 | 1927849     | 1927848       |
| 1108778                        | ..         | ..      | ..            | ..            | ..           | ..              | ..          | ..         | —          | ..        | ..      | ..          | ..            |
| 1108765                        | ..         | ..      | ..            | ..            | ..           | ..              | ..          | 1877291    | 1935131    | ..        | 1875687 | ..          | ..            |
| 1108794                        | ..         | ..      | ..            | ..            | ..           | ..              | ..          | 1877306    | —          | 1970548   | 1875667 | ..          | ..            |

| STARTING MOTOR ASSEMBLY NUMBER | THRUST COLLAR | HOUSING | SWITCH  | SPRING  | PLUNGER | SHIFT LEVER | STUD    |
|--------------------------------|---------------|---------|---------|---------|---------|-------------|---------|
|                                | 15            | 16      | 17      | 18      | 19      | 20          | 22      |
| 1108774                        | 1927850       | 1876881 | 1114458 | 1958679 | 1941113 | 801433      | 1945804 |
| 1108778                        | ..            | 1893864 | ..      | ..      | ..      | ..          | ..      |
| 1108765                        | ..            | 801227  | ..      | ..      | ..      | ..          | ..      |
| 1108794                        | ..            | ..      | ..      | ..      | ..      | 1951567     | ..      |

| Key | Components | 1108774 | 1108778 | 1108765 | 1108794 |
|-----|------------|---------|---------|---------|---------|
| 30  | Screw      | 448015  | *       | *       | *       |
| 34  | Screw      | 1970469 | *       | *       | *       |
| 36  | Washer     | 818265  | *       | *       | *       |
| 37  | Thru Bolt  | 1939970 | *       | *       | *       |
| 40  | Grommet    | 1966391 | *       | *       | 1846097 |
| 41  | Insulation | 1927853 | *       | —       | —       |
| 42  | Pin        | 1966923 | *       | *       | *       |
| 44  | Shoe       | 1931129 | *       | 810601  | *       |
|     | De Bushing | —       | 1932190 | —       | 1932190 |

\* Part Number as in first column



# DELCOTRONS

LISTED BELOW ARE DELCOTRON ASSEMBLIES AND USAGES

Refer To The Charts On The Following Pages For Component Parts

| PRODUCTION NO. | SERVICE NO. | APPLICATION |  | CHART PAGE NO. |
|----------------|-------------|-------------|--|----------------|
| 1100628        | 1100842     | 1964        | 37 AMP - STD - Can. Jobs   | 3-5            |
| 1100663        | "           | 1964        | V-6 Eng. - Exc. A.C. - U.S. Jobs   | 3-5            |
| 1100664        | 1100694     | 1964        | V-6 Eng. W/A.C. - U.S. Jobs  | 3-4            |
| 1100629        | 1100842     | 1964        | 42 AMP - Optional - Can. Jobs  | 3-5            |
| 1100656        | "           | 1964        | V-8 Eng. - Exc. A.C. - U.S. Jobs   | 3-5            |
| 1100677        | 1100694     | 1964        | 55 AMP - Can. Jobs   | 3-4            |
| 1100658        | "           | 1964        | V-8 Eng. W/A.C. - Exc. P.S. - U.S. Jobs                                    | 3-4            |
| 1100657        | "           | 1964        | V-8 Eng. W/A.C. T/W P.S. - U.S. Jobs                                       | 3-4            |
| 1100693        | 1100842     | 1965        | 37 AMP - STD - Can. Jobs   | 4-5            |
| 1100696        | "           | 1965        | 42 AMP - Optional - Can. Jobs  | 4-5            |
| 1100694        | 1100694     | 1965        | 55 AMP - Optional - Can. Jobs  | 4              |
| 1100705        | 1100842     | 1965        | V-6 Eng. - Exc. A.C. - U.S. Jobs   | 4-5            |
| 1100710        | 1100694     | 1965        | V-6 Eng. W/A.C. - U.S. Jobs  | 4              |
| 1100704        | 1100842     | 1965        | V-8 Eng. - Exc. A.C. - U.S. Jobs   | 4-5            |
| 1100686        | 1100694     | 1965        | V-8 Eng. W/A.C. - Exc. P.S. - U.S. Jobs                                    | 4              |
| 1100700        | "           | 1965        | V-8 Eng. W/A.C. T/W P.S. - U.S. Jobs                                       | 4              |
| 1100688        | 1100842     | 1966        | 37 AMP - STD - Can. Jobs   | 5              |
| 1100755        | 1100849     | 1966        | 61 AMP - Optional - Can. Jobs  | 5              |
| 1100705        | 1100842     | 1966        | STD - U.S. Jobs  | 4-5            |
| 1100744        | "           | 1966        | STD - W/P.S. - U.S. Jobs   | 5              |
| 1100733        | 1100694     | 1966        | 55 AMP - Exc. P.S. - Exc. A.C. - U.S. Jobs                                 | 4-5            |
| 1100730        | "           | 1966        | 55 AMP W/P.S. or A.C. - U.S. Jobs  | 4-5            |
| 1100752        | "           | 1966        | 55 AMP W/P.S. T/W A.C. - U.S. Jobs   | 4-5            |
| 1100767        | 1100842     | 1967        | 37 AMP - U.S. Jobs   | 5-6            |
| 1100693        | "           | 1967        | 37 AMP - Can. Jobs   | 4-5            |
| 1100696        | "           | 1967        | 42 AMP Optional - Can. Jobs  | 4-5            |
| 1100762        | "           | 1967        | 250 Eng. W/P.S. & A.I.R. - U.S. Jobs                                       | 5-6            |
| 1100730        | 1100694     | 1967        | 250 Eng. W/H.D. Cooling - U.S. Jobs  | 4-5            |
| 1100733        | "           | 1967        | 250 Eng. W/A.C. - U.S. Jobs  | 4-5            |
| 1100752        | "           | 1967        | 250 Eng. W/A.C., P.S. & A.I.R. - U.S. Jobs                                 | 4-5            |
| 1100730        | "           | 1967        | 330 Eng. W/A.C. - U.S. Jobs  | 4-5            |
| 1100733        | "           | 1967        | 330 Eng. W/A.I.R. - U.S. Jobs  | 4-5            |
| 1100777        | "           | 1967        | 400 Eng. W/A.C. - U.S. Jobs  | 4-6            |
| 1100730        | "           | 1967        | 330 & 400 Eng. W/H.D. Cooling - U.S. Jobs                                  | 4-5            |
| 1100777        | "           | 1967        | 400 Eng. W/H.D. Cooling T/W A.I.R. - U.S. Jobs                             | 4-6            |
| 1100750        | 1100849     | 1967        | 61 AMP Option - Can. Jobs  | 5              |
| 1100767        | 1100842     | 1968        | 37 AMP - STD 6 Cyl. & V-8 Eng.   | 5-6            |
| 1100762        | "           | 1968        | 37 AMP - 250 Eng. W/A.I.R.   | 5-6            |
| 1100730        | 1100694     | 1968        | 250 Eng. W/H.D. Cooling  | 4-5            |
| 1100777        | "           | 1968        | 55 AMP - 250 Eng. W/A.C. - Exc. P.S.                                       | 4-6            |
| "              | "           | 1968        | 55 AMP - 400 Eng. W/A.C. or H.D. Cooling                                   | 4-6            |
| 1100802        | "           | 1968        | 55 AMP - 250 Eng. W/A.I.R.   | 4-6            |
| 1100780        | 1100697     | 1968        | 60 AMP Option  | 6              |
| 1100767        | 1100842     | 1969        | 37 AMP - 6 Cyl. Eng. - Exc. P.S. - Exc. H.P. Gen. & Cooling - Exc. A.C.    | 5-6            |
| "              | "           | 1969        | 37 AMP V-8 Eng. - Exc. 344 Series - Exc. H.D. Gen. & Cooling - Exc. A.C.   | 5-6            |
| 1100762        | "           | 1969        | 37 AMP - 6 Cyl. Eng. W/P.S. - Exc. H.D. Gen. & Cooling - Exc. A.C.         | 5-6            |
| 1100853        | 1100543     | 1969        | 42 AMP - 344 Series - Exc. H.D. Gen. & Cooling - Exc. A.C.                 | 7              |
| 1100730        | 1100694     | 1969        | 55 AMP - 6 Cyl. Eng. W/H.D. Gen. & Cooling T/W P.S. - Exc. A.C.            | 4-5            |
| 1100802        | "           | 1969        | 55 AMP - 6 Cyl. Eng. W/A.C. T/W P.S.                                       | 4-6            |
| 1100777        | "           | 1969        | 55 AMP - 6 Cyl. Eng. W/H.D. Gen. & Cooling or A.C. - Exc. P.S.             | 4-6            |
| "              | "           | 1969        | 55 AMP - V-8 Eng. - Exc. 344 Series - W/H.D. Gen. & Cooling or A.C.        | 4-6            |
| 1100852        | "           | 1969        | 63 AMP - 344 Series W/H.D. Gen. & Cooling or A.C.                          | 7              |
| 1100879        | 1100842     | 1970        | 42 AMP - 6 Cyl. Eng. - Exc. H.D. Gen. & Cooling - Exc. P.S. - Exc. A.C.    | 8-9            |
| "              | "           | 1970        | 42 AMP - V-8 Eng. - Exc. 344 Series - Exc. H.D. Gen. & Cooling - Exc. A.C. | 8-9            |
| 1100888        | "           | 1970        | 42 AMP - 6 Cyl. Eng. W/P.S. - Exc. H.D. Gen. & Cooling - Exc. AC           | 8-9            |
| 1100880        | 1100543     | 1970        | 42 AMP - 344 Series - Exc. H.D. Gen. & Cooling - Exc. A.C.                 | 10-11          |
| 1100891        | 1100694     | 1970        | 55 AMP - 6 Cyl. Eng. W/P.S. or H.D. Gen. & Cooling - Exc. A.C.             | 8-9            |
| 1100777        | "           | 1970        | 55 AMP - 6 Cyl. Eng. W/H.D. Gen. & Cooling or A.C. - Exc. P.S.             | 8-9            |
| "              | "           | 1970        | 55 AMP - V-8 Eng. - Exc. 344 Series - W/H.D. Gen. & Cooling or A.C.        | 8-9            |
| 1100892        | "           | 1970        | 55 AMP - 6 Cyl. Eng. W/P.S. T/W A.C.                                       | 8-9            |
| 1100890        | 1100554     | 1970        | 63 AMP - 344 Series W/H.D. Gen. & Cooling or A.C.                          | 10-13          |

## DELCO TRONS

LISTED BELOW ARE DELCOTRON ASSEMBLIES AND USAGES

Refer to the Charts on the Following Pages for Component Parts

| PRODUCTION NO. | SERVICE NO. | APPLICATION  | CHART PAGE NO. |
|----------------|-------------|--|----------------|
| 1100553        | 1100742     | 1971 63 Amp — 6 Cyl. w/AC or HD Cooling<br>All V-8 Exc. 344 — w/Rear Window Defogger               | 12             |
| 1100888        | 1100842     | 1971 42 Amp — 6 Cyl. w/PS<br>All V-8 Exc. 344 — Exc. AC, Exc. HD Cooling                           | 12             |
| 1100569        | 1100694     | 1971 55 Amp — V-8 Exc. 344 — w/AC or HD Cooling  | 12             |
| 1100934        | 1100543     | 1971 42 Amp — 344 Exc. AC or HD Cooling  | 13             |
| 1100935        | 1100554     | 1971 63 Amp — 344 w/AC and HD<br>Cooling Exc. Rear Window Defogger                                 | 13             |
| 1100949        | 1100554     | 1971 63 Amp — 344 w/Rear Defogger  | 13             |
| 1102440        | 1102459     | 1972 42 Amp — Exc. AC, HD Cooling<br>Exc. HD Del, Exc. Rear Window Defogger                        | 14-15          |
| 1102437        | 1102455     | 1971 61 Amp — w/AC, HD Cooling,<br>HD Del, Rear Window Defogger<br>w/Perf. Axle on at Jobs         | 14-15          |
| 1102439        | 1102455     | 1972 61 Amp — w/AC, HD Cooling<br>HD Del, Exc. Rear Window Defogger<br>—Exc. Perf. Axle on at Jobs | 14-15          |
| 1102441        | 1102451     | 1972 63 Amp — w/AC, T/W Rear Window Defogger   | 14-15          |
| 1102464        | 1102451     | 1972 63 Amp — w/AC T/W Rear Window Defogger<br>—w/HD Cooling and HD Del<br>T/W at Exc. Perf. Axle  | 14-15          |
| 1100934        | 1100543     | 1973 42 Amp — Exc. Electric RR<br>Window Defogger or AC or HD Cooling                              | 16             |
| 1102369        | 1100554     | 1973-74 63 Amp — w/Electric RR<br>Window Defogger T/W AC or HD Cooling                             | 16-17          |
| 1102367        | 1100554     | 1973-74 63 Amp — w/AC or HD Cooling<br>Exc. RR Window Defogger                                     | 16-17          |
| 1100494        | 1100554     | 1973-74 63 Amp — w/Electric RR Window Defogger<br>Exc. AC or HD Cooling                            | 16-17          |
| 1100497        | 1100543     | 1975 37 Amp — 6 cyl. Exc. AC and Rear Window Defogger  | 18             |
| 1102483        | 1100543     | 1975 37 Amp — 260 Eng., 350, 455 Exc. Rear Window<br>Defogger, AC and HD Eng. Cooling              | 18             |
| 1102854        | 1100554     | 1975 63 Amp — 6 cyl. Eng. with Rear Window Defogger  | 18             |
| 1102347        | 1100554     | 1975 61 Amp — 6 cyl. Eng. with AC Exc. Rear Window Defogger  | 18             |
| 1102488        | 1100554     | 1975 55 Amp — 260, 350, 455 with AC and HD Cooling<br>Exc. Rear Window Defogger                    | 18             |
| 1102548        | 1100554     | 1975 63 Amp — 260, 350, 455 with Rear Window Defogger<br>Exc. AC and HD Cooling                    | 18             |
| 1102550        | 1100554     | 1975 63 Amp — 260, 350, 455 with Rear Window Defogger<br>and AC and HD Cooling                     | 18             |
| 1102491        | 1102848     | 1976 37 Amp — 6 Cyl. Exc. AC and RR. WDW. Defogger   | 19             |
| 1102486        | 1102849     | 1976 61 Amp. — 6 Cyl. w/AC Exc. RR. WDW. Defogger  | 19             |
| 1102854        | 1102849     | 1976 63 Amp. 6 Cyl. w/RR. WDW. Defogger  | 19             |
| 1102394        | 1102848     | 1976 37 Amp. — V-8 Eng. Exc. R.R. WDD. Defogger,<br>AC, H.D. Cooling                               | 19             |
| 1102840        | 1102849     | 1976 55 Amp. — V-8 Eng. w/AC, H.D. Cooling,<br>Exc. R.R. WDW. Defogger                             | 19             |
| 1102842        | 1102849     | 1976 63 Amp. V-8 Eng. w/RR. WDW. Defogger Exc. AC,<br>H.D. Cooling                                 | 19             |
| 1102844        | 1102849     | 1976 63 Amp. V-8 Eng. w/RR. WDW. Defogger w/AC,<br>H.D. Cooling                                    | 19             |

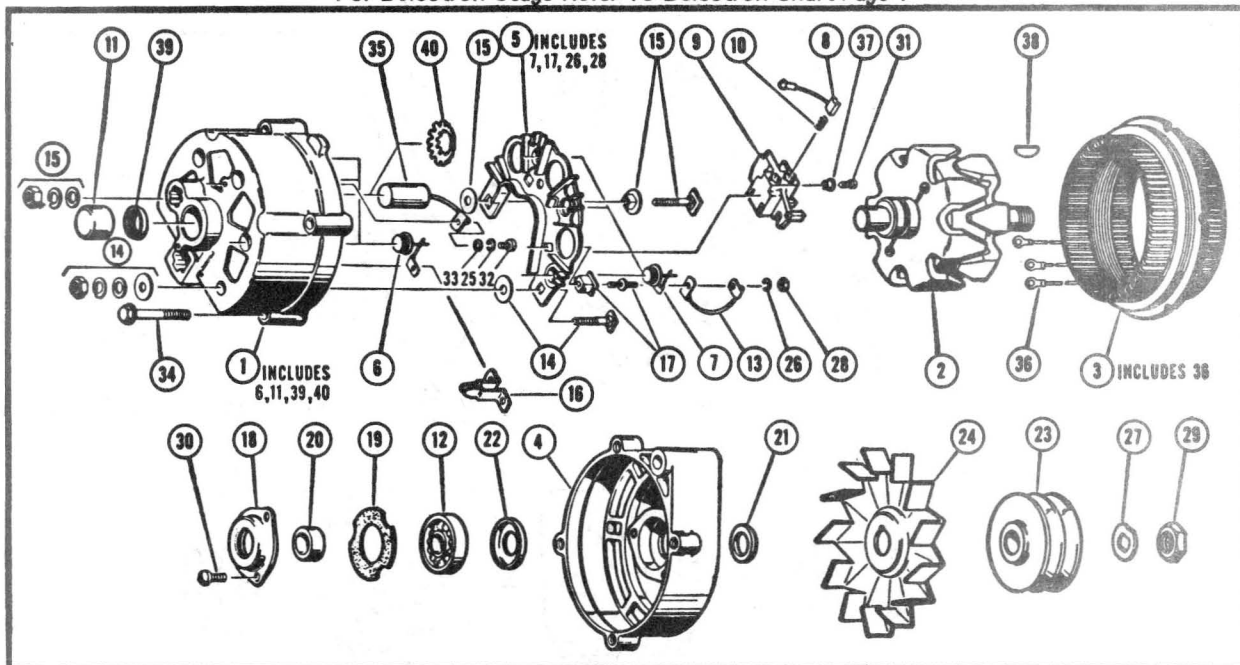




### 1964 DELCOTRON COMPONENT PARTS

FOR THE FOLLOWING DELCOTRONS: 1100628, 1100629, 1100656, 1100657,  
1100658, 1100663, 1100664, 1100677

For Delcotron Usage Refer To Delcotron Chart Page 1

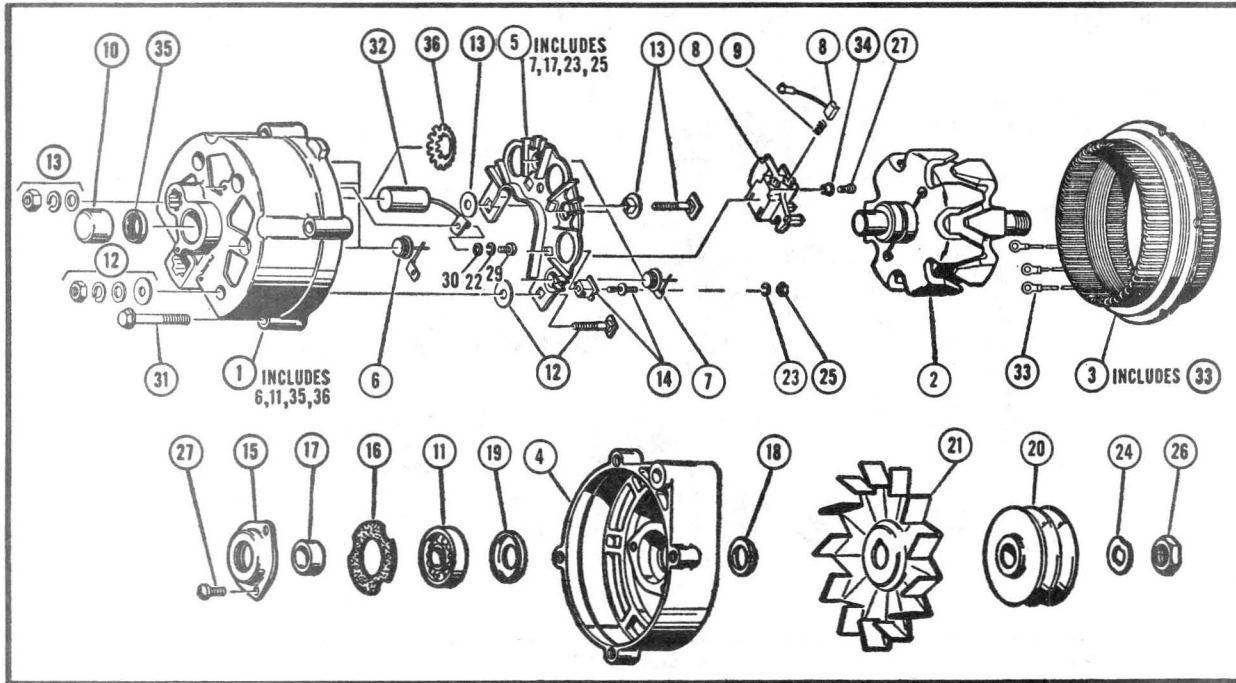


| KEY | DESCRIPTION   | PART NO. |
|-----|---|----------|
| 1   | FRAME, S.R.E. - Includes Key 35.....                    | 1852934  |
| 2   | ROTOR.....  | 1958565  |
| 3   | STATOR - For 1100657 - 658 - 664 - 677.....             | 1962025  |
|     | - For 1100628 - 629 - 656 - 663.....                    | 1959381  |
| 4   | FRAME, D.E. ....  | 800135   |
| 5   | HEAT SINK.....  | 1959828  |
| 6   | DIODE, Negative .....                                   | 1852928  |
| 7   | DIODE, Positive.....                                    | 1852929  |
| 8   | BRUSH.....  | 1958197  |
| 9   | HOLDER, Brush.....                                      | 1959978  |
| 10  | SPRING, Brush.....                                      | 1964117  |
| 11  | BEARING, S.R.E. ....                                    | 9432068  |
| 12  | BEARING, D.E. ....                                      | 5728798  |
| 13  | LEAD, Indicator Light .....                             | 1959969  |
| 14  | TERMINAL, Battery .....                                 | 1959832  |
| 15  | TERMINAL, Ground .....                                  | 1959833  |
| 16  | TERMINAL, Field or Indicator Light .....                | 1956982  |
| 17  | TERMINAL, Diode Junction .....                          | 1959834  |
| 18  | RETAINER, Bearing.....                                  | 1971993  |
| 19  | GASKET.....   | 1912008  |
| 20  | COLLAR, Inside .....                                    | 1963139  |
| 21  | COLLAR, Outside .....                                   | 1959991  |
| 22  | SLINGER, Grease .....                                   | 1947344  |
| 23  | PULLEY - See Data Section Group 2.274 .....             | -        |
| 24  | FAN - For 1100656 - 657 - 658 - 663 - 664 .....         | 800594   |
|     | - For 1100677 .....                                     | 1960423  |
| -   | LOCKWASHER, Brush Holder Screw - For 1100628 - 629..... | 1847933  |
| 25  | LOCKWASHER, Capacitor Terminal Screw.....               | 1847933  |
| 26  | LOCKWASHER, Diode Junction Terminal .....               | 1847933  |
| 27  | LOCKWASHER, Shaft Nut - D.E. ....                       | 1941978  |
| 28  | NUT, Diode Junction Terminal - Pkg. of 100 .....        | Disc.    |
| 29  | NUT, Shaft - D.E. ....                                  | 1915172  |
| 30  | SCREW, Bearing Retainer Attaching.....                  | 1965104  |
| 31  | SCREW, Brush Holder Attaching .....                     | 3897592  |
| 32  | SCREW, Capacitor Terminal .....                         | 1826031  |
| 33  | WASHER, Capacitor Terminal Screw - Plain.....           | 815540   |
| -   | WASHER, Brush Holder Attaching - Spring .....           | Disc.    |
| -   | WASHER, Insulator Capacitor Terminal Screw.....         | 1959523  |
| 34  | BOLT, Thru .....  | 1956975  |
| 35  | CAPACITOR .....   | 1959455  |
| 36  | CLIP, Stator Lead Terminal .....                        | 1846548  |
| -   | INSULATOR, Capacitor Terminal Screw .....               | 1959389  |
| 37  | INSULATOR, Brush Holder Screw .....                     | 1957562  |
| 38  | KEY, Drive End - Woodruff - For 1100628 - 629.....      | 103905   |
| 39  | RETAINER, S.R.E. ....                                   | 1961323  |
| 40  | SPRING, Capacitor Retaining .....                       | 1960750  |

**1965 DELCOTRON COMPONENT PARTS**

FOR THE FOLLOWING DELCOTRONS: 1100686, 1100693, 1100694, 1100696,  
1100700, 1100704, 1100705, 1100710

*For Delcotron Usage Refer To Delcotron Chart Page 1*



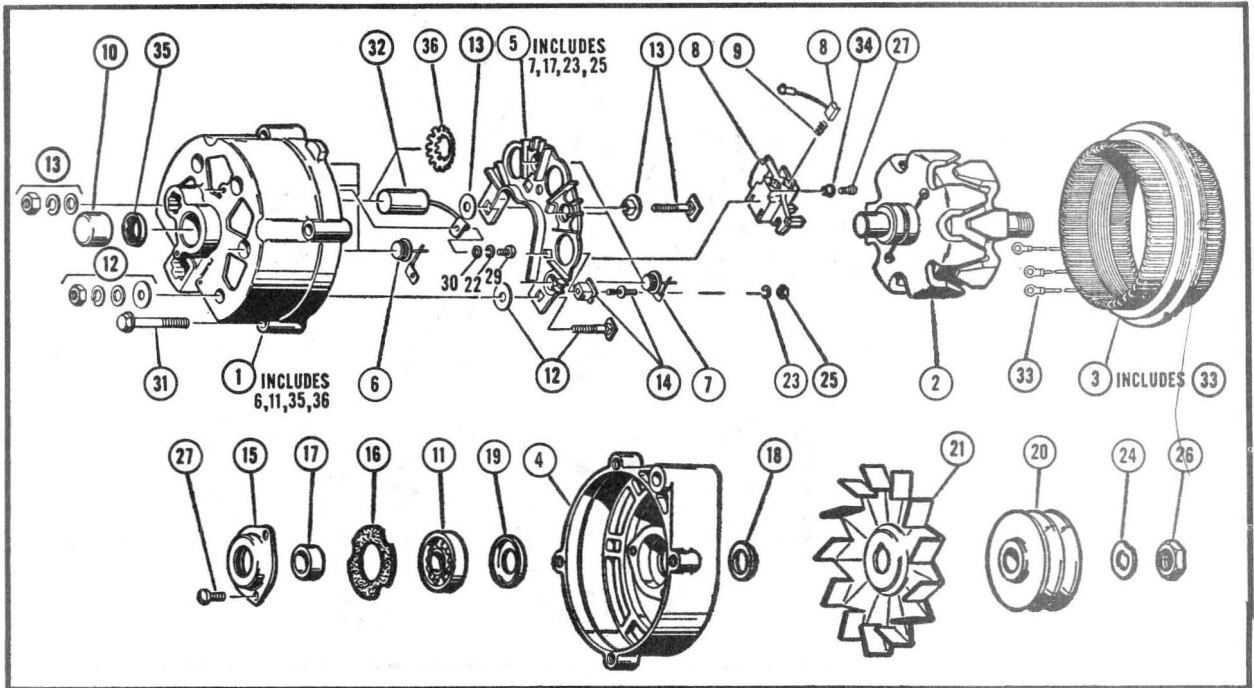
| KEY | DESCRIPTION   | PART NO.       |
|-----|---|----------------|
| 1   | FRAME, S.R.E. — Includes Key 32 .....                 | 1852934        |
| 2   | ROTOR .....   | 1958565        |
| 3   | STATOR — For 1100686 - 694 - 700 - 710 .....          | 1962025        |
|     | — For 1100693 - 696 - 704 - 705 .....                 | 1959381        |
| 4   | FRAME, Drive End .....                                | 800135         |
| 5   | HEAT SINK .....                                       | 1959828        |
| 6   | DIODE, Negative .....                                 | 1852928        |
| 7   | DIODE, Positive .....                                 | 1852929        |
| 8   | BRUSH AND HOLDER .....                                | 1964682        |
| 9   | SPRING, Brush .....                                   | 1964117        |
| 10  | BEARING, S.R.E. ....                                  | <b>9432068</b> |
| 11  | BEARING, D.E. ....                                    | 5728798        |
| 12  | TERMINAL, Battery .....                               | 1959832        |
| 13  | TERMINAL, Ground .....                                | <b>1959833</b> |
| 14  | TERMINAL, Diode Junction .....                        | 1959834        |
| 15  | RETAINER, Bearing .....                               | 1971993        |
| 16  | GASKET .....  | 1912008        |
| 17  | COLLAR, Inside .....                                  | 1963139        |
| 18  | COLLAR, Outside .....                                 | 1959991        |
| 19  | SLINGER, Grease .....                                 | 1947344        |
| 20  | PULLEY — See Data Section Group 2.274 .....           | —              |
| 21  | FAN — For 1100686 - 700 - 704 - 705 - 710 .....       | 800594         |
| 22  | LOCKWASHER, Capacitor Terminal .....                  | 1847933        |
| 23  | LOCKWASHER, Diode Junction Terminal .....             | 1847933        |
| 24  | LOCKWASHER, Shaft Nut — D.E. — All Exc. 1100710 ..... | 1941978        |
|     | — For 1100710 .....                                   | 1944314        |
| 25  | NUT, Diode Junction Terminal — Pkg. of 100 .....      | Disc.          |
| 26  | NUT, Shaft — D.E. — All Exc. 1100710 .....            | 1915172        |
|     | — For 1100710 .....                                   | 3816757        |
| 27  | SCREW, Bearing Retainer Attaching .....               | 1965104        |
| 28  | SCREW, Brush Holder Attaching .....                   | 3897592        |
| 29  | SCREW, Capacitor Terminal .....                       | 1826031        |
| —   | WASHER, Capacitor Screw Insulator .....               | 1959523        |
| 30  | WASHER, Capacitor Terminal Screw — Plain .....        | 815540         |
| —   | WASHER, Brush Holder Screw — Spring .....             | Disc.          |
| 31  | BOLT, Thru .....                                      | 1956975        |
| 32  | CAPACITOR .....                                       | 1959455        |
| 33  | CLIP, Stator Lead Terminal .....                      | 1846548        |
| 34  | INSULATOR, Brush Holder Screw .....                   | —              |
| —   | INSULATOR, Capacitor Terminal Screw .....             | 1959389        |
| 35  | RETAINER, S.R.E. ....                                 | 1961323        |
| 36  | SPRING, Capacitor Retaining .....                     | 1960750        |



**1966-67 DELCOTRON COMPONENT PARTS**

FOR THE FOLLOWING DELCOTRONS: 1100688, 1100730, 1100733, 1100744, 1100750,  
 1100752, -1100755, 1100842, 1100849

For Delcotron Usage Refer To Delcotron Chart Page 1



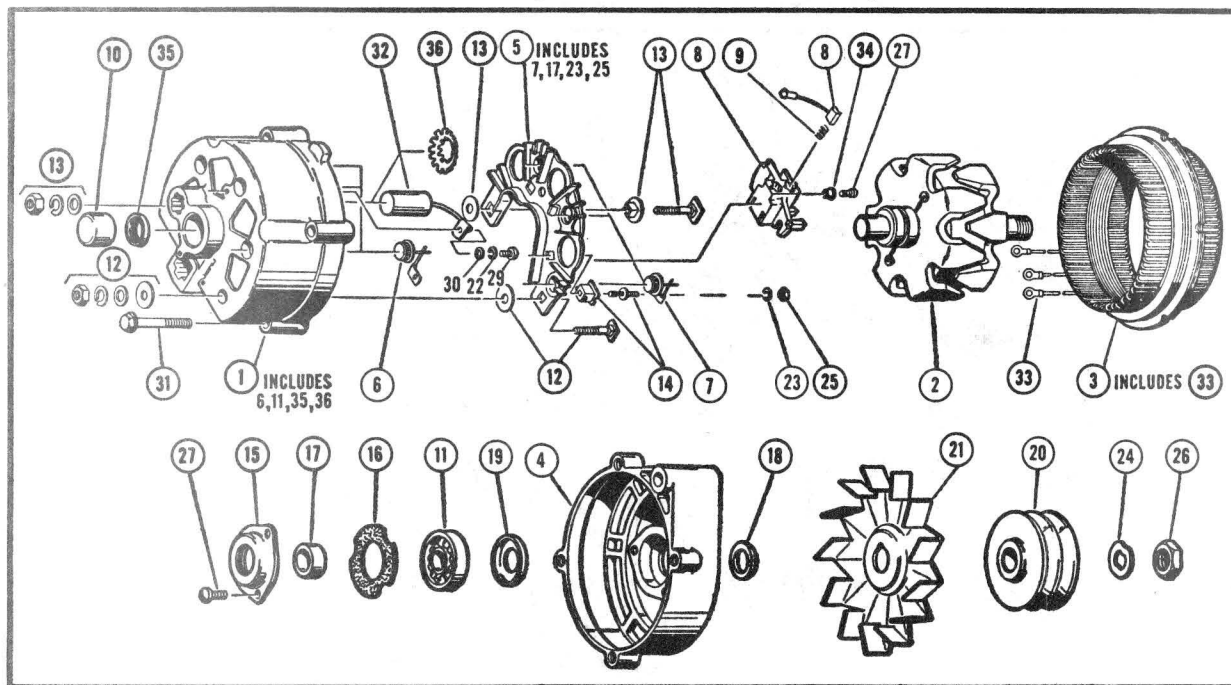
| KEY | DESCRIPTION                                | PART NO. |
|-----|--|----------|
| 1   | FRAME, S.R.E. — Includes Key 32            | 1852934  |
| 2   | ROTOR                                      | 1958565  |
| 3   | STATOR — For 1100730 - 733 - 752           | 1962025  |
|     | — For 1100688 - 744 - 842                  | 1959381  |
|     | — For 1100750 - 755 - 849                  | 1962025  |
| 4   | FRAME, Drive End                           | 800135   |
| 5   | HEAT SINK                                  | 1959828  |
| 6   | DIODE, Negative                            | 1852928  |
| 7   | DIODE, Positive                            | 1852929  |
| 8   | BRUSH AND HOLDER                           | 1964682  |
| 9   | SPRING, Brush                              | 1964117  |
| 10  | BEARING, S.R.E.                            | 9432068  |
| 11  | BEARING, D.E.                              | 5728798  |
| 12  | TERMINAL, Battery                          | 1959832  |
| 13  | TERMINAL, Ground                           | 1959833  |
| 14  | TERMINAL, Diode Junction                   | 1959834  |
| 15  | RETAINER, Bearing — All Exc. 1100755       | 1971993  |
|     | — For 1100755                              | 1963213  |
| 16  | GASKET                                     | 1912008  |
| 17  | COLLAR, Inside — All Exc. 1100755          | 1963139  |
|     | — For 1100755                              | 1963211  |
| 18  | COLLAR, Outside                            | 1959991  |
| 19  | SLINGER, Grease                            | 1947344  |
| 20  | PULLEY — See Data Section Group 2.274      | —        |
| 21  | FAN — For 1100730 - 733 - 744 - 752        | 800594   |
| 22  | LOCKWASHER, Capacitor Terminal             | 1847933  |
| 23  | LOCKWASHER, Diode Junction Terminal        | 1847933  |
| 24  | LOCKWASHER, Shaft Nut — D.E.               | 1941976  |
| 25  | NUT, Diode Junction Terminal — Pkg. of 100 | Disc.    |
| 26  | NUT, Shaft — D.E.                          | 1915172  |
| 27  | SCREW, Bearing Retainer Attaching          | 1965104  |
| 28  | SCREW, Brush Holder Attaching              | 3897592  |
| 29  | SCREW, Capacitor Terminal                  | 1826031  |
| 30  | WASHER, Capacitor Screw Insulator          | 1959523  |
| 30  | WASHER, Capacitor Terminal Screw — Plain   | 815540   |
| 31  | WASHER, Brush Holder Screw — Spring        | Disc.    |
| 31  | BOLT, Thru                                 | 1956975  |
| 32  | CAPACITOR                                  | 1959455  |
| 33  | CLIP, Stator Lead Terminal                 | 1846548  |
| 34  | INSULATOR, Brush Holder Screw              | —        |
| 34  | INSULATOR, Capacitor Terminal Screw        | 1959389  |
| 35  | RETAINER, S.R.E.                           | 1961323  |
| 36  | SPRING, Capacitor Retaining                | 1960750  |



### 1967-69 DELCOTRON COMPONENT PARTS

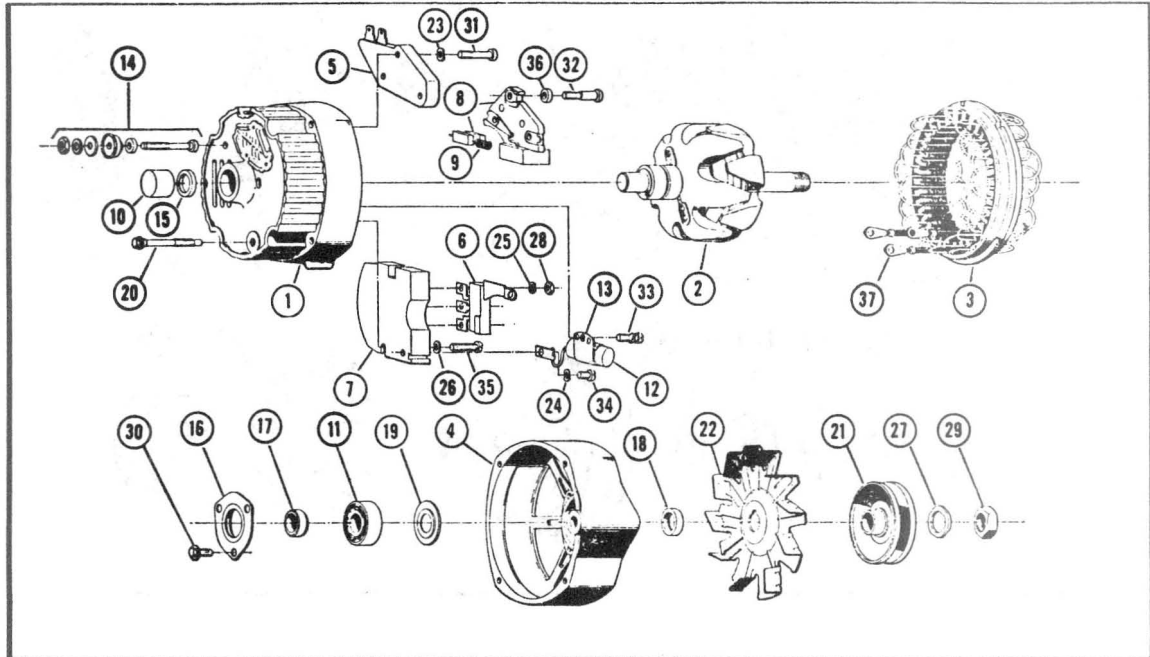
FOR THE FOLLOWING DELCOTRONS: 1100697, 1100762, 1100767, 1100777, 1100780, 1100802

For Delcotron Usage Refer To Delcotron Chart Page 1



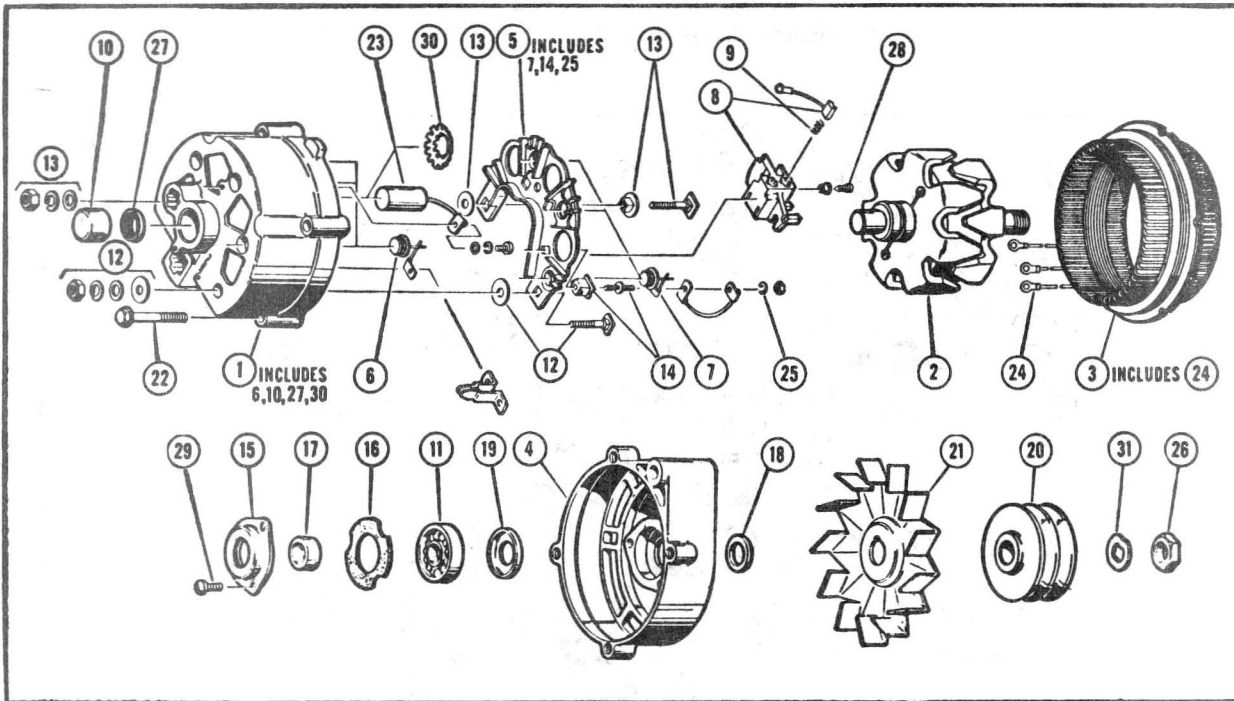
| KEY | DESCRIPTION                                      | PART NO.       |
|-----|--|----------------|
| 1   | FRAME, S.R.E. — Includes Key 32 .....            | 1852934        |
| 2   | ROTOR — For 1100762 - 767 - 777 - 802 .....      | 1958565        |
|     | — For 1100697 - 780 .....                        | <b>1876163</b> |
| 3   | STATOR — For 1100777 - 802 .....                 | 1962025        |
|     | — For 1100762 - 767 .....                        | 1959381        |
|     | — For 1100697 - 780 .....                        | 1964122        |
| 4   | FRAME, Drive End .....                           | 800135         |
| 5   | HEAT SINK .....                                  | 1959828        |
| 6   | DIODE, Negative .....                            | 1852928        |
| 7   | DIODE, Positive .....                            | 1852929        |
| 8   | BRUSH AND HOLDER .....                           | 1964682        |
| 9   | SPRING, Brush .....                              | 1964117        |
| 10  | BEARING, S.R.E. ....                             | <b>9432088</b> |
| 11  | BEARING, D.E. ....                               | 5728798        |
| 12  | TERMINAL, Battery .....                          | 1959832        |
| 13  | TERMINAL, Ground .....                           | 1959833        |
| 14  | TERMINAL, Diode Junction .....                   | 1959834        |
| 15  | RETAINER, Bearing .....                          | <b>1971993</b> |
| 16  | GASKET .....                                     | 1912008        |
| 17  | COLLAR, Inside .....                             | 1963139        |
| 18  | COLLAR, Outside .....                            | 1959991        |
| 19  | SLINGER, Grease .....                            | 1947344        |
| 20  | PULLEY — See Data Section Group 2.274 .....      | —              |
| 21  | FAN — For 1100762 - 767 - 777 - 780 - 802 .....  | 800594         |
| 22  | LOCKWASHER, Capacitor Terminal .....             | <b>1847933</b> |
| 23  | LOCKWASHER, Diode Junction Terminal .....        | <b>1847933</b> |
| 24  | LOCKWASHER, Shaft Nut — D.E. ....                | <b>1941978</b> |
| 25  | NUT, Diode Junction Terminal — Pkg. of 100 ..... | <b>Disc.</b>   |
| 26  | NUT, Shaft — D.E. ....                           | <b>1915172</b> |
| 27  | SCREW, Bearing Retainer Attaching .....          | <b>1965104</b> |
| 28  | SCREW, Brush Holder Attaching .....              | <b>3897592</b> |
| 29  | SCREW, Capacitor Terminal .....                  | <b>1826031</b> |
| —   | WASHER, Capacitor Screw Insulator .....          | <b>1959523</b> |
| 30  | WASHER, Capacitor Terminal Screw — Plain .....   | <b>815540</b>  |
| —   | WASHER, Brush Holder Screw — Spring .....        | <b>Disc.</b>   |
| 31  | BOLT, Thru .....                                 | <b>1956975</b> |
| 32  | CAPACITOR .....                                  | <b>1959455</b> |
| 33  | CLIP, Stator Lead Terminal .....                 | <b>1846548</b> |
| 34  | INSULATOR, Brush Holder Screw .....              | —              |
| —   | INSULATOR, Capacitor Terminal Screw .....        | 1959389        |
| 35  | RETAINER, S.R.E. ....                            | 1961323        |
| 36  | SPRING, Capacitor Retaining .....                | 1960750        |

**1969 DELCOTRON COMPONENT PARTS**  
FOR THE FOLLOWING DELCOTRONS: 1100852, 1100853, 1100554, 1100543  
*For Delcotron Usage Refer To Delcotron Chart Page 1*



| KEY | DESCRIPTION  | PART NO.                      |
|-----|--|-------------------------------|
| 1   | FRAME, S.R.E. — Includes Key 10 & 15 —All Exc. 1100543-554<br>—For 1100543-554 | 1846523<br>1852101            |
| 2   | ROTOR  | 1846657                       |
| 3   | STATOR — Includes Key 37 —For 1100852<br>—For 1100853-543<br>—For 554          | 1971639<br>1971986<br>1875627 |
| 4   | FRAME, D.E.  | 800136                        |
| 5   | REGULATOR  | 1116387                       |
| 6   | DIODE, Trio  | 1971528                       |
| 7   | BRIDGE, Rectifier  | 1971528                       |
| 8   | BRUSH AND HOLDER — Includes Key 9  | 801466                        |
| 9   | SPRING, Brush  | 1964117                       |
| 10  | BEARING, S.R.E —Exc. 554<br>—554   | 9432068<br>9432068            |
| 11  | BEARING, D.E.  | 907998                        |
| 12  | CAPACITOR  | 801824                        |
| 13  | BRACKET, Capacitor   | 1869573                       |
| 14  | TERMINAL, Battery —Exc. 554<br>—554  | 1971704<br>1846900            |
| 15  | SEAL, Bearing  | 1961323                       |
| 16  | RETAINER, Bearing  | 1971993                       |
| 17  | COLLAR, Inside   | 1963139                       |
| 18  | COLLAR, Outside  | 1959991                       |
| 19  | SLINGER, Grease  | 800832                        |
| 20  | BOLT, Thru   | 1956975                       |
| 21  | PULLEY — See Data Section Group 2.274  | —                             |
| 22  | FAN — For 1100852 - 853  | 1966990                       |
| 23  | LOCKWASHER, Brush Holder Attach. Screw   | 1847933                       |
| 24  | LOCKWASHER, Capacitor Lead Screw —For 1100543<br>—For 554                      | 1847933<br>N.L.A.             |
| 25  | LOCKWASHER, Rectifier Bridge Nut   | 1847933                       |
| 26  | LOCKWASHER, Rectifier Bridge Screw   | Disc.                         |
| 27  | LOCKWASHER, Shaft Nut — D.E.   | 1941978                       |
| 28  | NUT, Rectifier Bridge  | S.S.                          |
| 29  | NUT, Shaft — D.E.  | 1915172                       |
| 30  | SCREW, Bearing Retainer  | 1965104                       |
| 31  | SCREW, Brush Holder  | 1971519                       |
| 32  | SCREW, Brush Holder  | 1876681                       |
| 33  | SCREW & LOCKWASHER, Capacitor Bracket — #8-32 x 3/8                            | S.S.                          |
| 34  | SCREW, Capacitor Lead — For 1100543  | N.L.A.                        |
| 35  | SCREW, Rectifier Bridge  | 5677852                       |
| 36  | WASHER, Brush Holder Insul. Screw  | 1970149                       |
| 37  | CLIP, Stator Lead  | 1846548                       |

S.S. — STANDARD STOCK



**1970 DELCOTRON (ALL EXC 344)**  
 For 344 See Illustrations 10 & 11  
 (TYPICAL)

**NOTE:** For Part Number On Above Components See Opposite Illustration.

**1970 DELCOTRON ASSEMBLIES AND USAGE**

| Production Assembly |        | Service Assembly |        | Usage  |
|---------------------|--------|------------------|--------|--|
| 1100777             | 55 Amp | 1100694          | 55 Amp | 6 Cyl. W/A.C. or H.D. Gen & Cooling Exc P.S.   |
| 1100879             | 37 Amp | 1100842          | 42 Amp | 6 Cyl. Exc A.C. or H.D. Gen. & Cooling or P.S. |
| 1100888             | 37 Amp | 1100842          | 42 Amp | 6 Cyl. W/P.S. Exc A.C. or H.D. Gen. or Cooling |
| 1100891             | 55 Amp | 1100694          | 55 Amp | 6 Cyl. W/P.S. & H.D. Gen. or Cooling Exc A.C.  |
| 1100892             | 55 Amp | 1100694          | 55 Amp | 6 Cyl. W/P.S. & A.C.                           |
| 1100777             | 55 Amp | 1100694          | 55 Amp | 8 Cyl. W/A.C. or H.D. Gen. & Cooling           |
| 1100879             | 37 Amp | 1100842          | 42 Amp | 8 Cyl. Exc A.C. or H.D. Gen. & Cooling         |

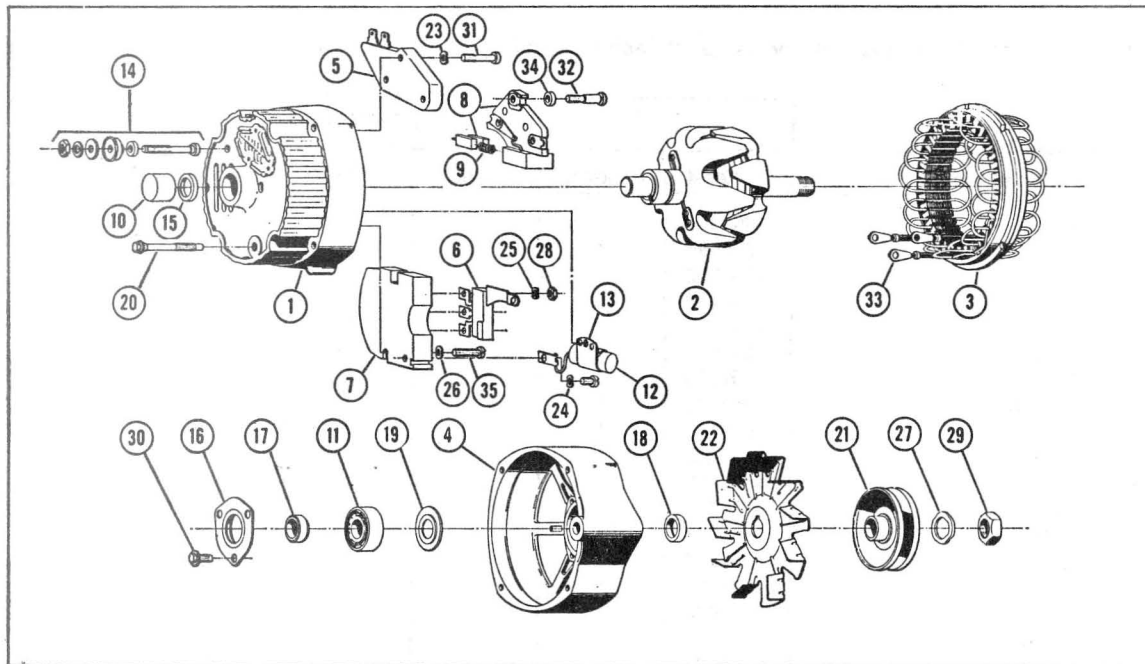


**1970 DELCOTRON (ALL EXC 344)**

**NOTE:** Refer To Opposite Illustration For Usage Of Each Assembly.

| Key                          | Components             | ASSEMBLIES |         |         |         |         |         |         |
|------------------------------|------------------------|------------|---------|---------|---------|---------|---------|---------|
|                              |                        | 1100694    | 1100777 | 1100842 | 1100879 | 1100888 | 1100891 | 1100892 |
| 1                            | Frame S.R.E.           | 1852934    | *       | *       | *       | *       | *       | *       |
| 2                            | Rotor                  | 1958565    | *       | *       | *       | *       | *       | *       |
| 3                            | Stator                 | 1962025    | *       | *       | *       | 1959381 | *       | *       |
| 4                            | Frame D.E.             | 800135     | *       | *       | *       | *       | *       | *       |
| 5                            | Heat Sink              | 1959828    | *       | *       | *       | *       | *       | *       |
| 6                            | Diode Neg.             | 1852928    | *       | *       | *       | *       | *       | *       |
| 7                            | Diode Pos.             | 1852929    | *       | *       | *       | *       | *       | *       |
| 8                            | Brush & Holder         | 1964682    | *       | *       | *       | *       | *       | *       |
| 9                            | Spring, Brush          | 1964117    | *       | *       | *       | *       | *       | *       |
| 10                           | Bearing S.R.E.         | 9432068    | *       | *       | *       | *       | *       | *       |
| 11                           | Bearing D.E.           | 5728798    | *       | *       | *       | *       | *       | *       |
| 12                           | Terminal Bat.          | 1959832    | *       | *       | *       | *       | *       | *       |
| 13                           | Terminal Ground        | 1959833    | *       | *       | *       | *       | *       | *       |
| 14                           | Terminal Diode         | 1959834    | *       | *       | *       | *       | *       | *       |
| 15                           | Plate, Retainer        | 1971993    | *       | *       | *       | *       | *       | *       |
| 16                           | Gasket                 | 1912008    | *       | *       | *       | *       | *       | *       |
| 17                           | Collar — Inside        | 1963139    | *       | *       | *       | *       | *       | *       |
| 18                           | Collar — Outside       | 1959991    | *       | *       | *       | 1959991 | 1959991 | 1959991 |
| 19                           | Slinger                | 1947344    | *       | *       | *       | *       | *       | *       |
| 20                           | Pulley                 | 1949355    | *       | —       | 1949355 | 1964758 | 1964758 | 1966787 |
| 21                           | Fan                    | 800594     | *       | —       | *       | *       | *       | *       |
| 22                           | Bolt, Thru             | 1956975    | *       | *       | *       | *       | *       | *       |
| 23                           | Capacitor              | 1959455    | *       | *       | *       | *       | *       | *       |
| 24                           | Clip, Stator           | 1846548    | *       | *       | *       | *       | *       | *       |
| 25                           | L/Washer, Holder       | Disc.      | *       | *       | *       | *       | *       | *       |
|                              | L/Washer, Term.        | Disc.      | *       | *       | *       | *       | *       | *       |
|                              | L/Washer, Diode        | Disc.      | *       | *       | *       | *       | *       | *       |
| 26                           | Nut, Shaft D.E.        | 1915172    | *       | *       | *       | *       | *       | *       |
| 27                           | Retainer S.R.E.        | 1961323    | *       | *       | *       | *       | *       | *       |
| 28                           | Screw, Holder          | 3897592    | *       | *       | *       | *       | *       | *       |
| 29                           | Screw, Brg.            | 1965104    | *       | *       | *       | *       | *       | *       |
| 30                           | Spring, Capacitor      | 1960750    | *       | *       | *       | *       | *       | *       |
| 31                           | L/Washer, Shaft        | 1941978    | *       | *       | *       | *       | *       | *       |
| <b>Non-Illustrated Parts</b> |                        |            |         |         |         |         |         |         |
|                              | Insulator, Term.       | 1959389    | *       | *       | *       | *       | *       | *       |
|                              | Washer, Term. (Insul.) | 1959523    | *       | *       | *       | *       | *       | *       |
|                              | Washer, Term. (Plain)  | 1914476    | *       | *       | *       | *       | *       | *       |

\* Use Same Part Number As First Column



**1970 DELCOTRON (344)**  
For All Exc 344 See Illustrations 8 & 9  
(TYPICAL)

**NOTE:** For Part Number On Above Components See Opposite Illustration.

**1970 DELCOTRON ASSEMBLIES AND USAGE**

| Production Assembly |        | Service Assembly |        | Usage                                |
|---------------------|--------|------------------|--------|--------------------------------------|
| 1100880             | 37 Amp | 1100543          | 37 Amp | 344 Exc A.C. or H.D. Gen. & Cooling  |
| 1100890             | 55 Amp | 1100884          | 55 Amp | 344 With A.C. or H.D. Gen. & Cooling |

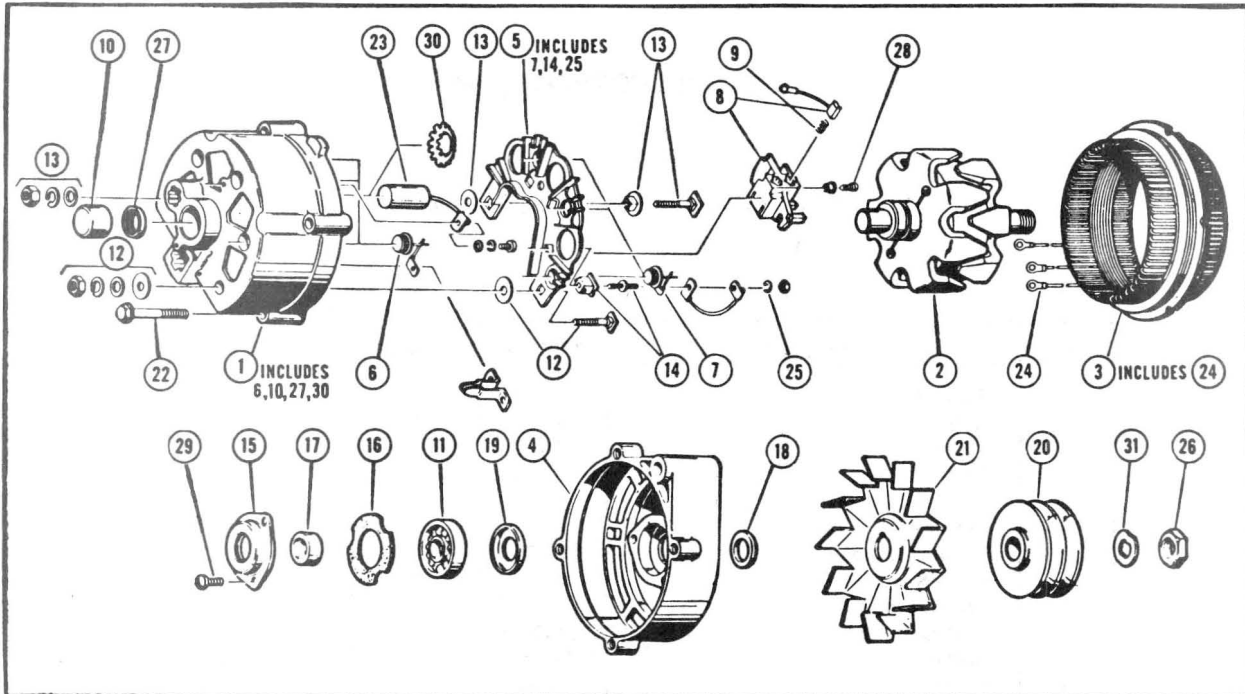


**1970 DELCOTRON (344)**

**NOTE:** Refer To Opposite Illustration For Usage Of Each Assembly.

| Key | Components              | ASSEMBLIES |         |         |         |
|-----|-------------------------|------------|---------|---------|---------|
|     |                         | 1100880    | 1100890 | 1100543 | 1100884 |
| 1   | Frame S.R.E.            | 1852101    | *       | *       | *       |
| 2   | Rotor                   | 1846657    | *       | *       | *       |
| 3   | Stator                  | 1971986    | 1971639 | *       | 1971639 |
| 4   | Frame D.E.              | 800135     | *       | *       | *       |
| 5   | Regulator               | 1116387    | *       | *       | *       |
| 6   | Diode Trio.             | 1971528    | *       | *       | *       |
| 7   | Rectifier Bridge        | 1875627    | *       | *       | *       |
| 8   | Brush & Holder          | 801466     | *       | *       | *       |
| 9   | Spring, Brush           | 1964117    | *       | *       | *       |
| 10  | Bearing, S.R.E.         | 9432068    | *       | *       | *       |
| 11  | Bearing, D.E.           | 907998     | *       | *       | *       |
| 12  | Capacitator             | 801824     | *       | *       | *       |
| 13  | Bracket, Capac.         | 1869573    | *       | *       | *       |
| 14  | Terminal, Bat.          | 1971704    | *       | *       | *       |
| 15  | Seal, Brg.              | 1961323    | *       | *       | *       |
| 16  | Plate, Retainer         | 1971993    | *       | *       | *       |
| 17  | Collar — Inside         | 1963139    | *       | *       | *       |
| 18  | Collar — Outside        | 1959991    | 1959991 | *       | 1959991 |
| 19  | Slinger                 | 800832     | *       | *       | *       |
| 20  | Bolt, Thru              | 1956975    | *       | *       | *       |
| 21  | Pulley                  | 1949355    | *       | —       | 1964758 |
| 22  | Fan                     | 800594     | *       | —       | *       |
| 23  | L/Washer, Holder        | Disc.      | *       | *       | *       |
| 24  | L/Washer, Capac.        | N.L.A.     | *       | *       | *       |
| 25  | L/Washer, Rectif. Nut   | Disc.      | *       | *       | *       |
| 26  | L/Washer, Rectif. Screw | Disc.      | *       | *       | *       |
| 27  | L/Washer, Shaft         | 1941978    | *       | *       | *       |
| 28  | Nut, Rectif. Bridge     | 453434     | *       | *       | *       |
| 29  | Nut, Shaft D.E.         | 1915172    | *       | *       | *       |
| 30  | Screw, Brg.             | 1965104    | *       | *       | *       |
| 31  | Screw, Holder           | 1971519    | *       | *       | *       |
| 32  | Screw, Brush Holder     | 1876681    | *       | *       | *       |
| 33  | Clip, Stator            | 1846548    | *       | *       | *       |
| 34  | Washer, Brush Holder    | 1970149    | *       | *       | *       |
| 35  | Screw, Rect. Bridge     | 5677852    | *       | *       | *       |

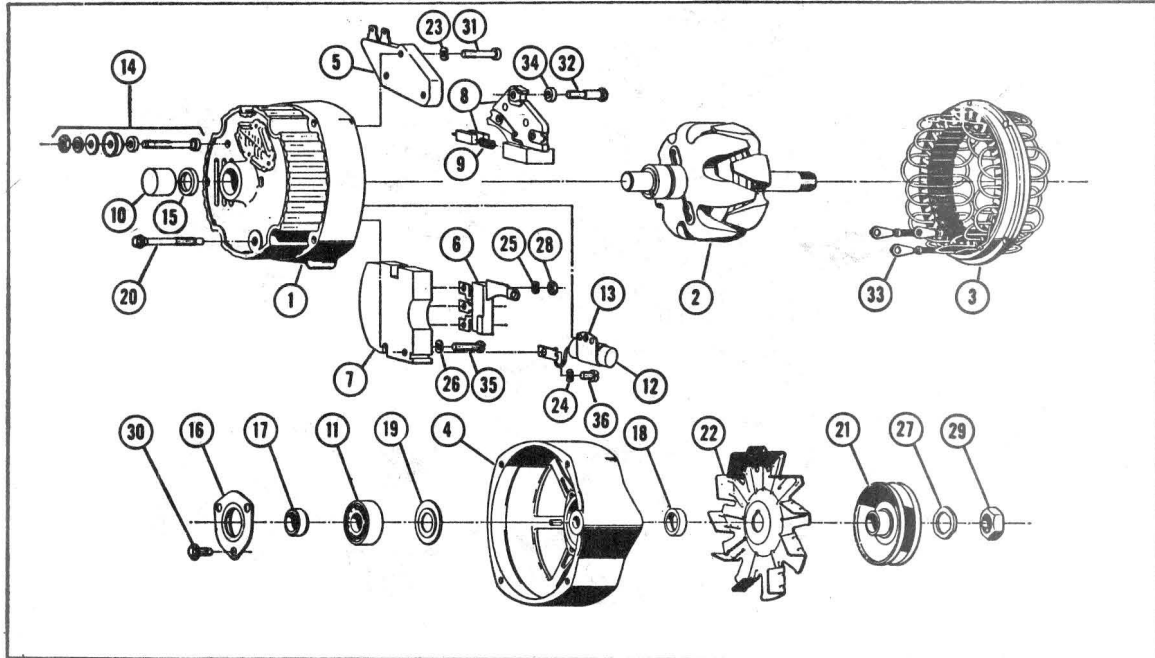
\* Use Same Part Number As First Column



**1971 DELCOTRON (ALL EXC. 344)**

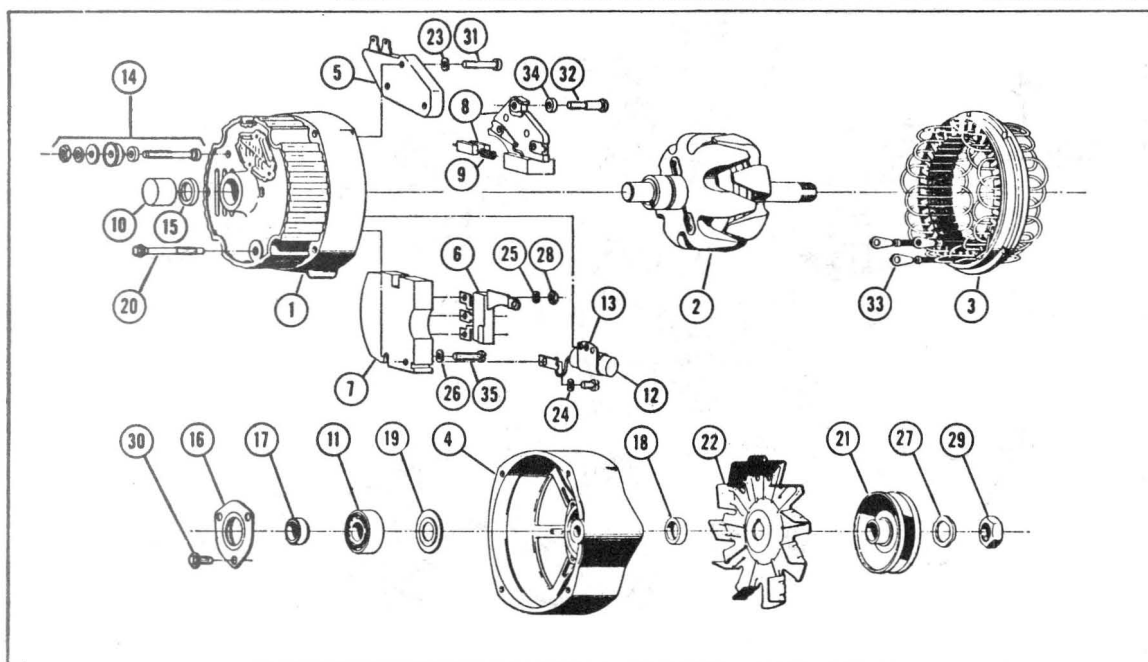
| Key | Components        | Assemblies |         |         |
|-----|-------------------|------------|---------|---------|
|     |                   | 1100742    | 1100842 | 1100694 |
| 1   | Frame S.R.E.      | 1852934    | *       | *       |
| 2   | Rotor             | 1958565    | *       | *       |
| 3   | Stator            | 1962025    | 1959381 | 1962025 |
| 4   | Frame D.E.        | 800135     | *       | *       |
| 5   | Heat Sink         | 1959828    | *       | *       |
| 6   | Diode Neg.        | 1852928    | *       | *       |
| 7   | Diode Pos.        | 1852929    | *       | *       |
| 8   | Brush & Holder    | 1964682    | *       | *       |
| 9   | Spring, Brush     | 1964117    | *       | *       |
| 10  | Bearing S.R.E.    | 9432068    | *       | *       |
| 11  | Bearing D.E.      | 5728798    | 5728798 | 5728798 |
| 12  | Terminal Bat.     | 1959832    | *       | *       |
| 13  | Terminal Ground   | 1959833    | *       | *       |
| 14  | Terminal Diode    | 1959834    | *       | *       |
| 15  | Plate, Retainer   | 1971993    | *       | *       |
| 16  | Gasket            | 1912008    | *       | *       |
| 17  | Collar — Inside   | 1963139    | *       | *       |
| 18  | Collar — Outside  | 1959991    | *       | *       |
| 19  | Slinger           | 1947344    | *       | *       |
| 20  | Pulley            | —          | —       | —       |
| 21  | Fan               | 800594     | —       | —       |
| 22  | Bolt, Thru        | 1956975    | *       | *       |
| 23  | Capacitor         | 1959455    | *       | *       |
| 24  | Clip, Stator      | 1846548    | *       | *       |
| 25  | L/Washer, Holder  | Disc.      | *       | *       |
|     | L/Washer, Term.   | Disc.      | *       | *       |
|     | L/Washer, Diode   | Disc.      | *       | *       |
| 26  | Nut, Shaft D.E.   | 1915172    | *       | *       |
| 27  | Retainer S.R.E.   | 1961323    | *       | *       |
| 28  | Screw, Holder     | 9420849    | 3897592 | 9420849 |
| 29  | Screw, Brg.       | 1965104    | *       | 1962686 |
| 30  | Spring, Capacitor | 1960750    | *       | *       |
| 31  | L/Washer, Shaft   | 1941978    | *       | *       |

\* Use Same Part Number As First Column



**1971 DELCOTRON (344)**

| Key | Components                 | Assemblies |         |
|-----|----------------------------|------------|---------|
|     |                            | 1100543    | 1100554 |
| 1   | Frame S.R.E.               | 1852101    | *       |
| 2   | Rotor                      | 1846657    | 1846657 |
| 3   | Stator                     | 1971986    | 1971639 |
| 4   | Frame D.E.                 | 800135     | *       |
| 5   | Regulator                  | 1116387    | *       |
| 6   | Diode Trio.                | 1971528    | *       |
| 7   | Rectifier Bridge           | 1875627    | *       |
| 8   | Brush & Holder             | 801466     | *       |
| 9   | Spring, Brush              | 1964117    | *       |
| 10  | Bearing, S.R.E.            | 9432068    | *       |
| 11  | Bearing, D.E.              | 907998     | *       |
| 12  | Capacitor                  | 801824     | *       |
| 13  | Bracket, Capac.            | 1869573    | *       |
| 14  | Terminal, Bat.             | 1846900    | *       |
| 15  | Seal, Brg.                 | 1961323    | *       |
| 16  | Plate, Retainer            | 1971993    | *       |
| 17  | Collar — Inside            | 1963139    | *       |
| 18  | Collar — Outside           | 1959991    | *       |
| 19  | Slinger                    | 800832     | *       |
| 20  | Bolt, Thru                 | 1956975    | *       |
| 21  | Pulley                     |            |         |
| 22  | Fan                        |            |         |
| 23  | L/Washer, Holder           | 1847933    | *       |
| 24  | L/Washer, Capac.           | N.L.A.     | *       |
| 25  | L/Washer, Rectif. Nut      | Disc.      | *       |
| 26  | L/Washer, Rectif. Screw    | Disc.      | *       |
| 27  | L/Washer, Shaft            | 1941978    | *       |
| 28  | Nut, Rectif. Bridge        | 453434     | *       |
| 29  | Nut, Shaft D.E.            | 1915172    | *       |
| 30  | Screw, Brg.                | 1965104    | *       |
| 31  | Screw, Holder              | 1876681    | *       |
| 32  | Screw, Brush Holder        | 1971519    | *       |
| 33  | Clip, Stator               | 1846548    | *       |
| 34  | Washer, Brush Holder       | 1847933    | *       |
| 35  | Screw, Rect. Bridge        | 5677852    | *       |
| 36  | Screw, Capac. Brkt. & Lead | 9422873    | *       |



**1972 DELCOTRON**

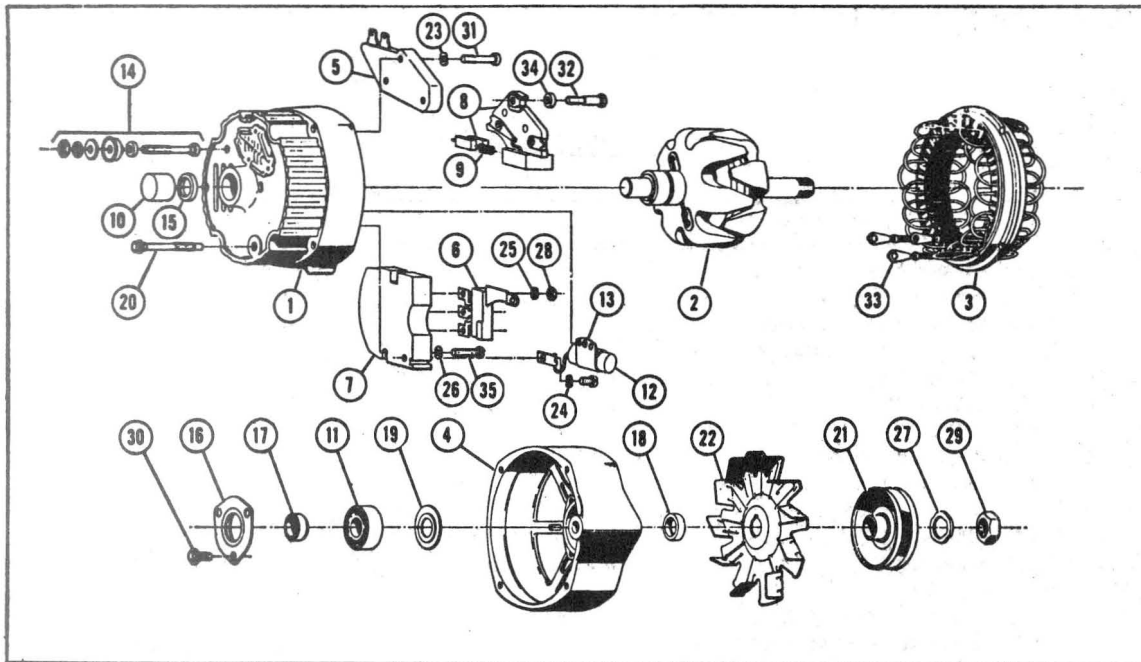
- 1972 DELCOTRON ASSEMBLIES — 1102437
- 1102439
- 1102440
- 1102441
- 1102451
- 1102455
- 1102459
- 1102464

FOR COMPONENTS SEE OPPOSITE PAGE

FOR USAGE SEE DELCOTRON CHART PAGE 2

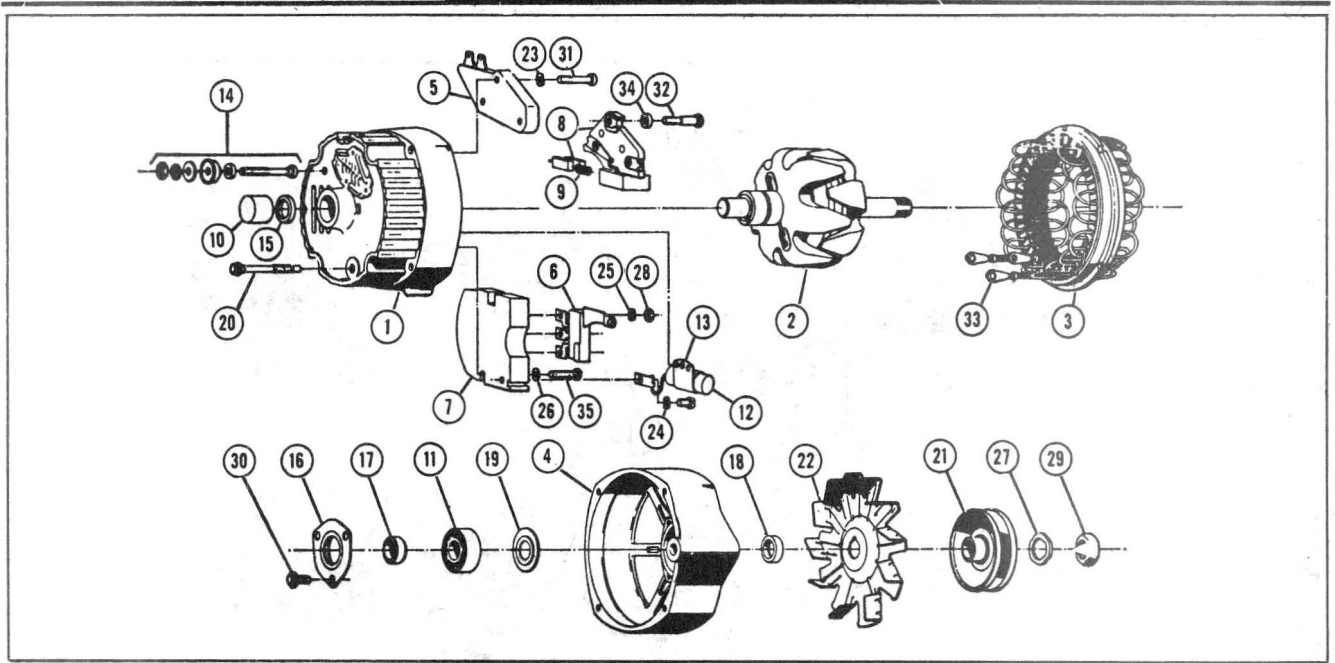
## 1972 DELCOTRON

| Key | Components   | Part No. |
|-----|--|----------|
| 1   | FRAME, S.R.E. ....   | 1852101  |
| 2   | ROTOR .....  | 1958565  |
| 3   | STATOR — Exc. 1102440-459 .....                                | 1971639  |
|     | — For 1102440-459 .....  | 1971986  |
| 4   | FRAME, D.E. ....   | 800135   |
| 5   | REGULATOR .....  | —        |
| 6   | DIODE TRIO .....   | —        |
| 7   | RECTIFIER BRIDGE .....   | 1875627  |
| 8   | BRUSH AND HOLDER .....   | 801466   |
| 9   | SPRING, BRUSH .....  | 1964117  |
| 10  | BEARING, S.R.E. ....   | 9432068  |
| 11  | BEARING, D.E. ....   | 907998   |
| 12  | CAPACITOR .....  | 801824   |
| 13  | BRACKET, CAPACITOR .....                                       | 1869573  |
| 14  | TERMINAL, BATTERY (PACKAGE) .....                              | 1846900  |
| 15  | SEAL, BRG. ....  | —        |
| 16  | PLATE, RETAINER .....  | 1971993  |
| 17  | COLLAR — INSIDE .....  | 1971993  |
| 18  | COLLAR — OUTSIDE — Exc. 439-440-459-464 .....                  | 1959991  |
|     | — For 439-440-459-464 .....                                    | 1959991  |
| 19  | SLINGER .....  | 800832   |
| 20  | BOLT, THRU .....   | 1956975  |
| 21  | PULLEY — For 437-439-440-464 .....                             | 1949355  |
|     | — For 441 .....  | 1969433  |
|     | — For 451-455-459 .....  | —        |
| 22  | FAN — Exc. 455-459 .....                                       | 800594   |
|     | — For 455-459 .....  | —        |
| 23  | L/WASHER, HOLDER .....   | Disc.    |
| 24  | L/WASHER, CAPAC .....  | —        |
| 25  | L/WASHER, RECTIF. NUT .....                                    | Disc.    |
| 26  | L/WASHER, RECTIF. SCREW .....                                  | Disc.    |
| 27  | L/WASHER, SHAFT .....  | 1941978  |
| 28  | NUT, RECTIF. BRIDGE .....                                      | 453434   |
| 29  | NUT, SHAFT D.E. ....   | 1915172  |
| 30  | SCREW, BRG. ....   | 1965104  |
| 31  | SCREW, HOLDER — INSUL. ....                                    | 1876681  |
| 32  | SCREW, HOLDER — GROUND .....                                   | 1971519  |
| 33  | CLIP, STATOR .....   | 1846548  |
| 34  | WASHER, BRUSH HOLDER .....                                     | 1847933  |
| 35  | SCREW, RECT. BRIDGE .....                                      | 1970145  |
| —   | TERMINAL AND SPACER ASSEMBLY (FIELD AND INDICATOR LIGHT) ..... | 1852097  |



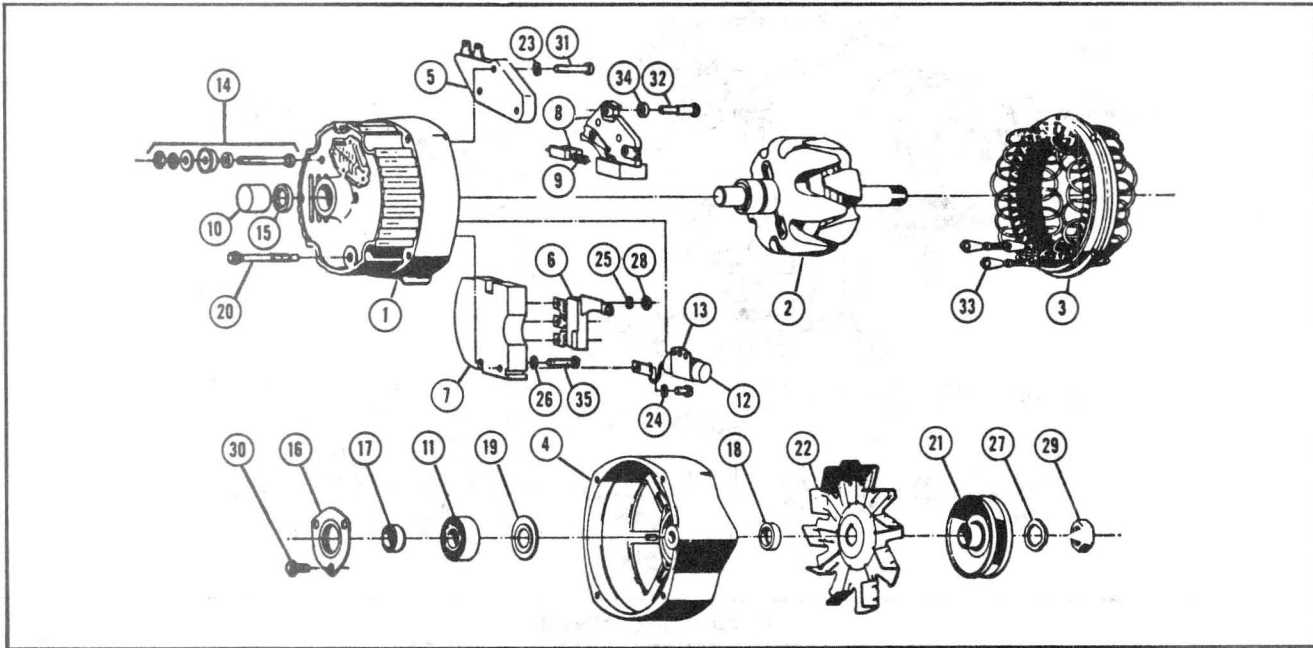
**1973 DELCOTRON**

| Key | Components              | Assemblies |         |
|-----|-------------------------|------------|---------|
|     |                         | 1100543    | 1100554 |
| 1   | Frame S.R.E.            | 1852101    | *       |
| 2   | Rotor                   | 1846657    | 1846657 |
| 3   | Stator                  | 1971986    | 1971639 |
| 4   | Frame D.E.              | 800135     | *       |
| 5   | Regulator               | 1116387    | *       |
| 6   | Diode Trio.             | 1971528    | *       |
| 7   | Rectifier Bridge        | 1875627    | *       |
| 8   | Brush & Holder          | 801466     | *       |
| 9   | Spring, Brush           | 1964117    | *       |
| 10  | Bearing, S.R.E.         | 9432068    | *       |
| 11  | Bearing, D.E.           | 907998     | *       |
| 12  | Capacitor               | 801824     | *       |
| 13  | Bracket, Capac.         | 1869573    | *       |
| 14  | Terminal, Bat.          | 1846900    | *       |
| 15  | Seal, Brg.              | 1961323    | *       |
| 16  | Plate, Retainer         | 1971993    | *       |
| 17  | Collar — Inside         | 1963139    | *       |
| 18  | Collar — Outside        | 1959991    | *       |
| 19  | Slinger                 | 800832     | *       |
| 20  | Bolt, Thru              | 1956975    | *       |
| 21  | Pulley                  |            |         |
| 22  | Fan                     |            |         |
| 23  | L/Washer, Holder        | 1847933    | *       |
| 24  | L/Washer, Capac.        | N.L.A.     | *       |
| 25  | L/Washer, Rectif. Nut   | Disc.      | *       |
| 26  | L/Washer, Rectif. Screw | Disc.      | *       |
| 27  | L/Washer, Shaft         | 1941978    | *       |
| 28  | Nut, Rectif. Bridge     | 453434     | *       |
| 29  | Nut, Shaft D.E.         | 1915172    | *       |
| 30  | Screw, Brg.             | 1965104    | *       |
| 31  | Screw, Holder           | 1876681    | *       |
| 32  | Screw, Brush Holder     | 1971519    | *       |
| 33  | Clip, Stator            | 1846548    | *       |
| 34  | Washer, Brush Holder    | 1847933    | *       |
| 35  | Screw, Rect. Bridge     | 1970145    | *       |



1974 DELCOTRON

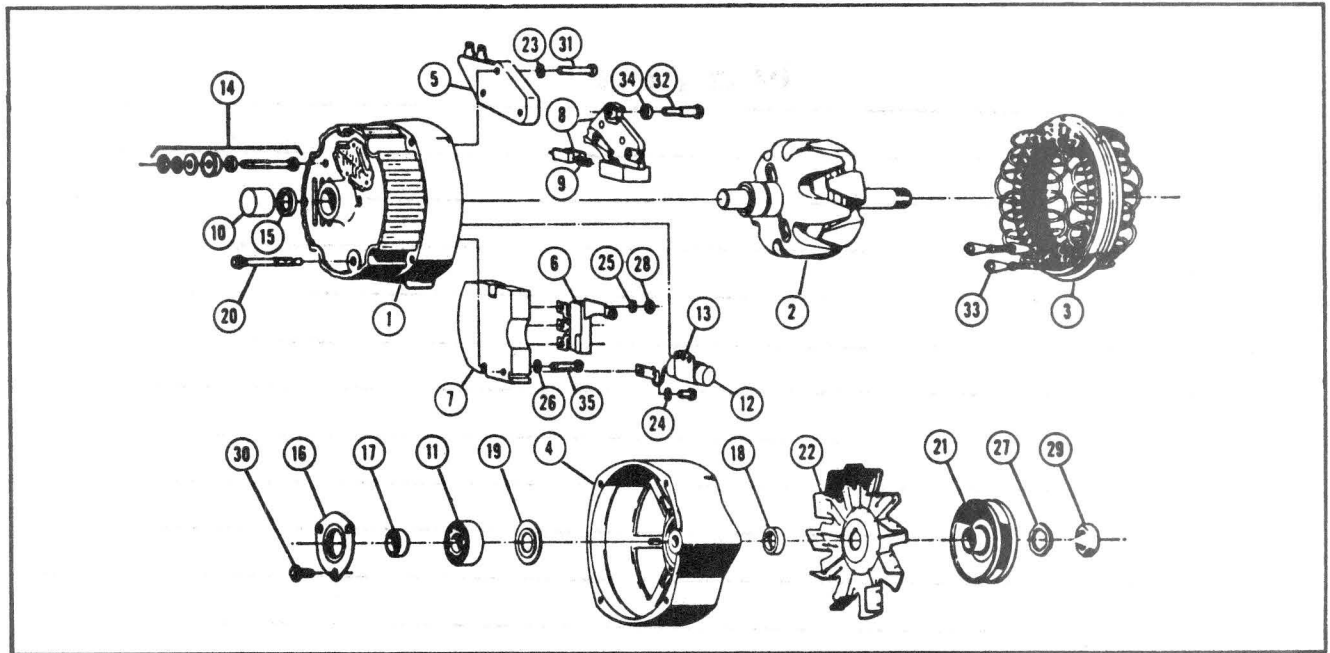
| KEY  | COMPONENTS                   | ASSEMBLIES |         |         |         |
|------|------------------------------|------------|---------|---------|---------|
|      |                              | 1100494    | 1102367 | 1102369 | 1100554 |
| 1    | FRAME S.R.E.                 | 1852101    | 1116387 | *       | 1852101 |
| 2    | ROTOR                        | 1846657    | *       | *       | *       |
| 3    | STATOR                       | 1971639    | *       | *       | *       |
| 4    | FRAME D.E.                   | 800135     | *       | *       | *       |
| 5    | REGULATOR                    | 1116387    | *       | *       | *       |
| 6    | DIODE TRIO                   | 1971528    | *       | *       | *       |
| 7    | RECTIFIER BRIDGE             | 1875627    | *       | *       | 1852209 |
| 8    | BRUSH & HOLDER               | 801466     | *       | *       | *       |
| 9    | SPRING, Brush                | 1964117    | *       | *       | *       |
| 10   | BEARING, S.R.E.              | 9432068    | *       | *       | 9432068 |
| 11   | BEARING, D.E.                | 907998     | *       | *       | *       |
| 12   | CAPACITOR                    | 801824     | *       | *       | *       |
| 13   | BRACKET, Capac.              | 1869573    | *       | *       | *       |
| 14   | TERMINAL, Bat.               | 1846900    | *       | *       | *       |
| 15   | SEAL, Brg.                   | —          | —       | —       | 1961323 |
| 16   | PLATE, Retainer              | 1971993    | *       | *       | *       |
| 17   | COLLAR — INSIDE              | 1963139    | *       | *       | *       |
| 18   | COLLAR — OUTSIDE             | 1959991    | *       | *       | *       |
| 19   | SLINGER                      | 800832     | *       | *       | *       |
| 20   | BOLT, Thru                   | 1956975    | *       | *       | *       |
| 21   | PULLEY                       | 1939845    | 1949355 | *       | —       |
| 22   | FAN                          | 800594     | *       | *       | —       |
| 23   | L/WASHER, Holder             | —          | —       | —       | Disc.   |
| 24   | L/WASHER, Capac.             | —          | —       | —       | N.L.A.  |
| 25   | L/WASHER, Rectif. Nut        | N.L.A.     | —       | —       | Disc.   |
| 26   | L/WASHER, Rectif. Screw      | N.L.A.     | *       | *       | Disc.   |
| 27   | L/WASHER, Shaft Nut — D.E.   | 1941978    | *       | *       | *       |
| 28   | NUT, Rectif. Bridge          | —          | —       | —       | 453434  |
| 29   | NUT, Shaft D.E.              | 1915172    | *       | *       | *       |
| 30   | SCREW, Brg.                  | —          | —       | —       | 1965104 |
| 31   | SCREW, Brush Holder (Insul.) | 1876681    | *       | *       | 1876681 |
| 32   | SCREW, Brush Holder (Ground) | 1876682    | *       | *       | 1971519 |
| 33   | CLIP, Stator                 | 1846548    | *       | *       | 1846548 |
| 34   | WASHER, Brush Holder         | 1847933    | *       | *       | 1847933 |
| 35   | SCREW, Rect. Bridge          | 1876668    | *       | *       | 1970145 |
| N.L. | SCREW, Ret. Plate Attach.    | 1965104    | *       | *       | —       |



### 1975 DELCOTRONS

| KEY | COMPONENTS                         | ASSEMBLIES |         |         |         |         |         |         |
|-----|------------------------------------|------------|---------|---------|---------|---------|---------|---------|
|     |                                    | 1100497    | 1102483 | 1102854 | 1102347 | 1102488 | 1102548 | 1102550 |
| 1   | FRAME S.R.E. ....                  | 1852101    | *       | *       | *       | *       | *       | *       |
| 2   | ROTOR .....                        | 1846657    | *       | 1876163 | *       | *       | *       | *       |
| 3   | STATOR .....                       | 1971986    | *       | 1971639 | 1971639 | 1971639 | 1971639 | 1971639 |
| 4   | FRAME D.E. ....                    | 800135     | *       | *       | *       | *       | *       | *       |
| 5   | REGULATOR .....                    | 1116387    | *       | *       | *       | *       | *       | *       |
| 6   | DIODE TRIO .....                   | 1971528    | *       | *       | *       | *       | *       | *       |
| 7   | RECTIFIER BRIDGE .....             | 1875627    | *       | *       | *       | *       | *       | *       |
| 8   | BRUSH AND HOLDER .....             | 801466     | *       | *       | *       | *       | *       | *       |
| 9   | SPRING, BRUSH .....                | 1964117    | *       | *       | *       | *       | *       | *       |
| 10  | BEARING, S.R.E. ....               | 9432068    | *       | *       | *       | *       | *       | *       |
| 11  | BEARING, D.E. ....                 | 907998     | *       | *       | *       | *       | *       | *       |
| 12  | CAPACITOR .....                    | 801824     | *       | *       | *       | *       | *       | *       |
| 13  | BRACKET, CAPAC. ....               | 1869573    | *       | *       | *       | *       | *       | *       |
| 14  | TERMINAL, BAT. ....                | 1846900    | *       | *       | *       | *       | *       | *       |
| 15  | SEAL, BRG. ....                    | —          | —       | —       | —       | —       | —       | —       |
| 16  | PLATE, RETAINER .....              | 1971993    | *       | *       | *       | *       | *       | *       |
| 17  | COLLAR, INSIDE .....               | 1963139    | *       | *       | *       | *       | *       | *       |
| 18  | COLLAR, OUTSIDE .....              | 1959991    | *       | *       | *       | *       | *       | *       |
| 19  | Slinger .....                      | 800832     | *       | *       | *       | *       | *       | *       |
| 20  | Bolt, THRU .....                   | 1956975    | *       | *       | *       | *       | *       | *       |
| 21  | PULLEY .....                       | 1949357    | 1949355 | 1949355 | 1949355 | 1949355 | 1939845 | 1949355 |
| 22  | FAN .....                          | 800594     | *       | *       | *       | *       | *       | *       |
| 23  | L/WASHER, HOLDER .....             | —          | —       | —       | —       | —       | —       | —       |
| 24  | L/WASHER, CAPAC. ....              | —          | —       | —       | —       | —       | —       | —       |
| 25  | L/WASHER, RECTIF. NUT .....        | —          | —       | —       | —       | —       | —       | —       |
| 26  | L/WASHER, RECTIF. SCREW .....      | —          | —       | —       | —       | —       | —       | —       |
| 27  | L/WASHER, SHAFT NUT — D.E. ....    | 1941978    | *       | *       | *       | *       | *       | *       |
| 28  | NUT, RECTIF. BRIDGE .....          | 453434     | *       | *       | *       | *       | *       | *       |
| 29  | NUT, SHAFT D.E. ....               | 1915172    | *       | *       | *       | *       | *       | *       |
| 30  | SCREW, BRG. ....                   | 1965104    | *       | *       | *       | *       | *       | *       |
| 31  | SCREW, BRUSH HOLDER (INSUL) .....  | 1876681    | *       | *       | *       | *       | *       | *       |
| 32  | SCREW, BRUSH HOLDER (GROUND) ..... | 1876682    | *       | *       | *       | *       | *       | *       |
| 33  | CLIP, STATOR .....                 | 1846548    | *       | *       | *       | *       | *       | *       |
| 34  | WASHER, BRUSH HOLDER .....         | —          | —       | —       | —       | —       | —       | —       |
| 35  | SCREW, RECT. BRIDGE .....          | 1876668    | *       | *       | *       | *       | *       | *       |





**1976 DELCOTRONS**

| Key | Components                        | 1102491 | 1102486 | 1102854 | 1102394 | 1102840 | 1102842 | 1102844 |
|-----|-----------------------------------|---------|---------|---------|---------|---------|---------|---------|
| 1   | Frame S.R.E. ....                 | 1852101 | *       | *       | *       | *       | *       | *       |
| 2   | Rotor .....                       | 1876163 | 1876163 | 1876163 | 1876163 | 1876163 | 1876163 | 1876163 |
| 3   | Stator .....                      | 1971986 | 1971639 | 1971639 | 1971986 | 1971639 | 1971639 | 1971639 |
| 4   | D.E. Frame .....                  | 800135  | *       | *       | *       | *       | *       | *       |
| 5   | Regulator .....                   | 1116387 | *       | *       | *       | *       | *       | *       |
| 6   | Trio Diode .....                  | 1971528 | *       | *       | *       | *       | *       | *       |
| 7   | Rect. Bridge .....                | 1875627 | *       | *       | *       | *       | *       | *       |
| 8   | Brush and Holder .....            | 801466  | *       | *       | *       | *       | *       | *       |
| 9   | Brush Spring .....                | 1964117 | *       | *       | *       | *       | *       | *       |
| 10  | S.R.E. Bearing .....              | 9432068 | *       | *       | *       | *       | *       | *       |
| 11  | D.E. Bearing .....                | 907998  | *       | *       | *       | *       | *       | *       |
| 12  | Capacitor .....                   | 801824  | *       | *       | *       | *       | *       | *       |
| 13  | Bracket .....                     | 1869573 | *       | *       | *       | *       | *       | *       |
| 14  | Battery Terminal Pkg. ....        | 1846900 | *       | *       | *       | *       | *       | *       |
| 15  | Seal .....                        | —       | *       | *       | *       | *       | *       | *       |
| 16  | Retainer .....                    | 1971993 | *       | *       | *       | *       | *       | *       |
| 17  | Inside Collar .....               | —       | *       | *       | *       | *       | *       | *       |
| 18  | Outside Collar .....              | 1959991 | *       | *       | *       | *       | *       | *       |
| 19  | Grease Slinger .....              | 800832  | *       | *       | *       | *       | *       | *       |
| 20  | Thru Bolt .....                   | 1956975 | *       | *       | *       | *       | *       | *       |
| 21  | Pulley .....                      | 1949355 | 1949355 | 1949355 | 1949355 | 1949355 | 1944312 | 1949355 |
| 22  | Fan .....                         | 800594  | *       | *       | *       | *       | *       | *       |
| 23  | Lockwasher .....                  | —       | *       | *       | *       | *       | *       | *       |
| 25  | Lockwasher .....                  | —       | *       | *       | *       | *       | *       | *       |
| 26  | Lockwasher .....                  | —       | *       | *       | *       | *       | *       | *       |
| 27  | Lockwasher .....                  | 1941978 | 1941978 | 1941978 | 1941978 | 1941978 | 1941978 | 1941978 |
| 28  | Nut .....                         | 1915172 | *       | *       | *       | *       | *       | *       |
| 30  | Screw .....                       | 1965104 | *       | *       | *       | *       | *       | *       |
| 31  | Screw .....                       | 1876682 | *       | *       | *       | *       | *       | *       |
| 32  | Screw .....                       | 1876681 | *       | *       | *       | *       | *       | *       |
| 33  | Screw .....                       | N.L.A.  | *       | *       | *       | *       | *       | *       |
| 34  | Screw .....                       | N.L.A.  | *       | *       | *       | *       | *       | *       |
| 35  | Screw .....                       | 1876668 | *       | *       | *       | *       | *       | *       |
| 36  | Washer .....                      | —       | *       | *       | *       | *       | *       | *       |
| 37  | Clip .....                        | 1846548 | *       | *       | *       | *       | *       | *       |
|     | Reg. to Brush GRD. Resistor ..... | 830478  | *       | *       | *       | *       | *       | *       |

\* PART NUMBER SAME AS IN FIRST COLUMN.



Notes

A series of horizontal lines for taking notes, starting from the line immediately below the 'Notes' header and extending to the bottom of the page.

## DISTRIBUTORS

LISTED BELOW ARE DISTRIBUTOR ASSEMBLIES AND USAGES

*Refer To The Charts On The Following Pages For Component Parts*

| PRODUCTION NO. | SERVICE NO. | APPLICATION  | CHART PAGE NO. |
|----------------|-------------|--|----------------|
| 1110322        | 1110322     | 1964-65 V-6 Engine   | 3              |
| 1111029        | 1111048     | 1964-66 V-8/2BC/Engine   | 3              |
| 1111098        | 1111048     | 1964 V-8/4BC/Engine  | 3              |
| 1111048        | 1111048     | 1965-66 V-8/4BC/Engine   | 3              |
| 1110351        | 1110351     | 1966 6 Cyl. Engine   | 4              |
| 1111042        | 1111042     | 1966 400 V-8 Engine  | 3              |
| 1110351        | 1110351     | 1967 6 Cyl. Engine   | 4              |
| 1111048        | 1111048     | 1967 V-8 Engine — Exc. 400 Engine — Exc. Transistorized Ignition           | 3              |
| 1111151        | 1111151     | 1967 400/2BC/V-8 Engine — Exc. Transistorized Ignition                     | 3              |
| 1111042        | 1111042     | 1967 400/4BC/V-8 Engine — Exc. Transistorized Ignition                     | 3              |
| 1111188        | 1111188     | 1967 400 V-8 Engine W/Transistorized Ignition — Exc. Carb. Outside Air     | 3              |
| 1111151        | 1111151     | 1967 400/4BC/V-8 Engine W/Carb. Outside Air — Exc. Transistorized Ignition | 3              |
| 1111179        | 1111179     | 1967 400/4BC/V-8 Engine W/Carb. Outside Air & Transistorized Ignition      | 3              |
| 1110399        | 1110351     | 1968 250 6 Cyl. Engine   | 4              |
| 1111286        | 1111929     | 1968 350/2BC/V-8 Engine  | 5-6            |
| 1111299        | 1111975     | 1968 350/4BC/V-8 Engine  | 5-7            |
| 1111466        | 1111931     | 1968 400/2BC/V-8 Engine  | 5              |
| 1111287        | 1111932     | 1968 400/4BC/V-8 Engine ST — Exc. Transistorized Ignition                  | 5              |
| 1111290        | 1111932     | 1968 400/4BC/V-8 Engine ST W/Transistorized Ignition                       | 5              |
| 1111468        | 1111468     | 1968 400/4BC/V-8 Engine AT — Exc. Transistorized Ignition                  | 5              |
| 1111470        | 1111341     | 1968 400/4BC/V-8 Engine AT W/Transistorized Ignition                       | 5-6            |
| 1111468        | 1111933     | 1968 All Hurst 455 Exc. Car Cooling  | 5              |
| 1111469        | 1111936     | 1968 All Hurst 455 W/Car Cooling   | 5              |
| 1110463        | 1110465     | 1969-70 250 6 Cyl. Engine ST   | 4-8            |
| 1110464        | 1110466     | 1969-70 250 6 Cyl. Engine AT   | 4-8            |
| 1111961        | 1111961     | 1969 350/2BC/V-8 Engine  | 6              |
| 1111930        | 1111975     | 1969 350/4BC/V-8 Engine  | 6-7            |
| 1111932        | 1111932     | 1969 344 Series ST — Exc. O.A.I. or Transistorized Ignition                | 6              |
| 1111933        | 1111933     | 1969 344 Series TH Or O.A.I.   | 6              |
| 1111341        | 1111341     | 1969 344 Series W/Transistorized Ignition                                  | 6              |
| 1111933        | 1111933     | 1969 348 Series W/400 Engine   | 6              |
| 1111973        | 1111979     | 1969 400 Performance Engine TH Or Hurst 455                                | 6              |
| 1111976        | 1111976     | 1970 350/2BC/V-8 Engine  | 7              |
| 1111975        | 1111975     | 1970 350/4BC/V-8 Engine  | 7              |
| 1111981        | 1111978     | 1970 455 V-8 Engine — Exc. 344 Series                                      | 7              |
| 1111982        | 1111982     | 1970 344 Eeries — Exc. O.A.I.  | 7              |
| 1111977        | 1111977     | 1970 344 Series W/O.A.I. ST  | 7              |
| 1111979        | 1111979     | 1970 344 Series W/O.A.I. AT  | 7              |
| 1110465        | 1110465     | 1971 250 6 Cyl. Engine ST  | 8              |
| 1110466        | 1110466     | 1971 250 6 Cyl. Engine AT  | 8              |
| 1112079        | 1112079     | 1971-72 350/2BC/Engine and 350/4BC/Engine ST                               | 9              |
| 1111976        | 1111976     | 1971 350/4BC/Engine AT   | 9              |
| 1112033        | 1112033     | 1971-72 455 Engine — Exc. O.A.I.   | 9              |
| 1112036        | 1112036     | 1971-72 455 Engine ST W/O.A.I.   | 9              |
| 1112034        | 1112034     | 1971-72 455 Engine AT W/O.A.I.   | 9              |
| 1112085        | 1112085     | 1972 350/4BC/AT  | 10             |
|                |             |  | 11             |
|                |             |  | 11             |
|                |             |  | 11             |
|                |             |  | 11             |
|                |             |  | 11             |

**DISTRIBUTORS—CONT'D.**

LISTED BELOW ARE DISTRIBUTOR ASSEMBLIES AND USAGES

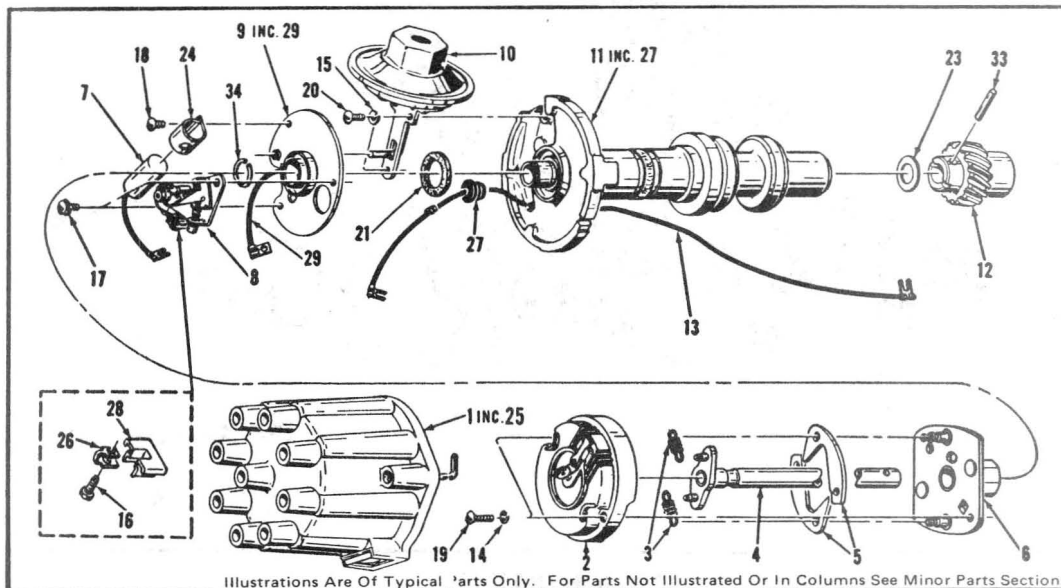
*Refer To The Charts On The Following Pages For Component Parts*

| PRODUCTION NO. | SERVICE NO. | APPLICATION  | PAGE. NO. CHART |
|----------------|-------------|--|-----------------|
| 1112222        | 1112222     | 1973 350 Eng. ST   | 11              |
| 1112195        | 1112195     | 1973-74 350/4BC/ Eng. with TH350 — Exc. Wagons (Exc. Unit Ignition System) | 11 & 12         |
| 1112225        | 1112225     | 1973-74 Wagons with TH350 (Exc. Unit Ignition System)                      | 11 & 12         |
| 1112197        | 1112197     | 1973-74 455 Eng. Exc. Unit Ignition System or Special Performance Pkg.     | 11 & 12         |
| 1112523        | 1112523     | 1974 350 Eng. Exc. Wagons with Unit Ignition System                        | 12              |
| 1112524        | 1112524     | 1974 Wagons with 350 Eng. with Unit Ignition System                        | 12              |
| 1112889        | 1112889     | 1974 455 Eng. with Unit Ignition System and Special Performance Pkg.       | 12              |
| 1112506        | 1112506     | 1974 455 Eng. with Unit Ignition System Exc. Special Performance Pkg.      | 12              |
| 1112863        | 1112863     | 1975 W/6 Cyl.  | 14              |
| 1112951        | 1112951     | 1975 W/260 V-8   | 13              |
| 1112936        | 1112936     | 1975 W/350   | 13              |
| 1112937        | 1112937     | 1975 W/455   | 13              |
| 1112863        | 1112863     | 1976 W/6 Cyl.  | 14              |
| 1112951        | 1112951     | 1976 W/260 Eng.  | 15              |
| 1112936        | 1112936     | 1976 W/350 W/Catalytic Converter   | 15              |
| 1112953        | 1112953     | 1976 W/350 Exc. Catalytic Converter  | 15              |
| 1112937        | 1112937     | 1976 W/455 Eng.  | 15              |



### 1964-67 8 CYLINDER ENGINE DISTRIBUTOR COMPONENT PARTS

(FOR DISTRIBUTOR ASSEMBLY APPLICATION REFER TO DISTRIBUTOR CHART PAGE 1)



#### MAJOR PARTS

| Distributor Assembly     | Cap     | Rotor   | Spring Weight | Shaft   | Weight  | Cam            | Con- denser | Contact Assy. | Plate Breaker | Control Vacuum | Housing | Gear    | Lead Primary |
|--------------------------|---------|---------|---------------|---------|---------|----------------|-------------|---------------|---------------|----------------|---------|---------|--------------|
|                          | 1       | 2       | 3             | 4       | 5       | 6              | 7           | 8             | 9             | 10             | 11      | 12      | 13           |
| 1110322*                 | 1957693 | 1957684 | 1938064       | 1963900 | 1881371 | <b>1957686</b> | 1928111     | 1931988       | 1957689       | 1116163        | 1957691 | 1950570 | 1963575      |
| 1111029                  | 800061  | 1971247 | 1916230       | 1962142 | "       | <b>1965066</b> | 1932004     | "             | 1962141       | "              | 801262  | 1955676 | 1958971      |
| 1111042                  | "       | "       | 1942012       | 1963251 | "       | <b>1847825</b> | "           | "             | "             | "              | "       | "       | "            |
| 1111048                  | "       | "       | 1884610       | 1958625 | "       | <b>1965066</b> | "           | "             | "             | "              | "       | "       | "            |
| 1111098                  | "       | "       | 1964950       | 1964915 | "       | —              | —           | —             | —             | 1115357        | 1966407 | 1958599 | —            |
| 1111151                  | "       | "       | 1967216       | 1967214 | 1924737 | <b>1945210</b> | 1932004     | 1931988       | 1962141       | 1115361        | 801262  | 1955676 | 1958971      |
| 1111179                  | 800061  | "       | 1967999       | 1968000 | "       | —              | —           | —             | —             | —              | —       | —       | —            |
| 1111188                  | 800061  | "       | 1926116       | 1968016 | 1881371 | —              | —           | —             | —             | 1116163        | "       | "       | —            |
| * FOR 1964-65 V-6 ENGINE |         |         |               |         |         |                |             |               |               |                |         |         |              |

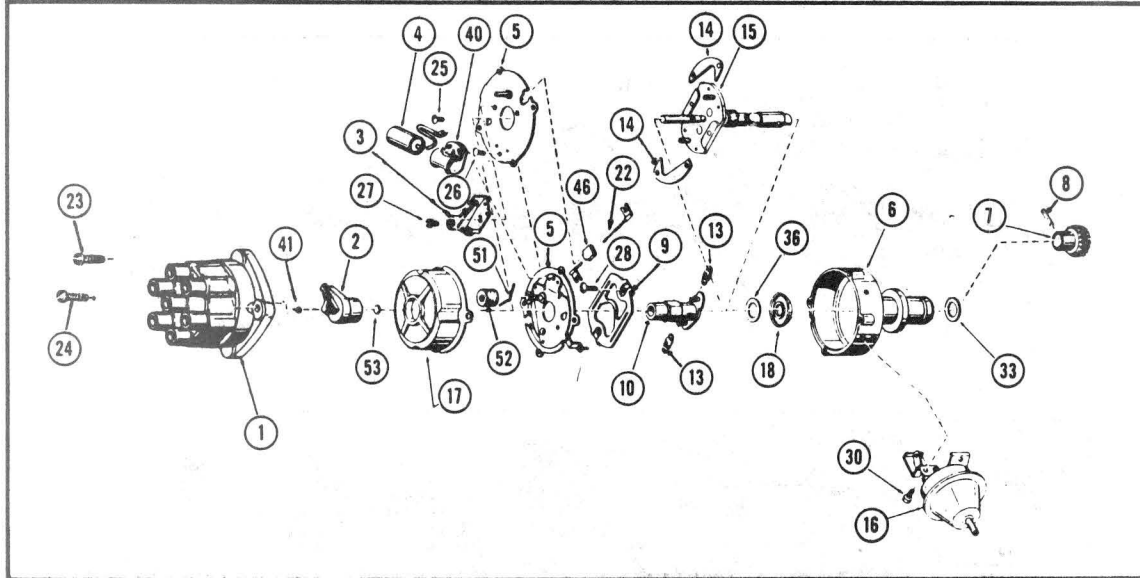
#### MINOR PARTS

| KEY  | DESCRIPTION                           | 1110322 | 1111029 | 1111042 | 1111048 | 1111098 | 1111151 | 1111179        | 1111188        |
|--|---------------------------------------|---------|---------|---------|---------|---------|---------|----------------|----------------|
| 14   | LOCKWASHER, Rotor Attaching Screw     | 453435  | *       | *       | *       | *       | *       | —              | —              |
| 17   | N.L.A.                                | —       | —       | —       | —       | —       | —       | —              | —              |
| 18   | SCREW, Condenser Clamp                | 453647  | N.L.A.  | N.L.A.  | N.L.A.  | *       | *       | —              | —              |
| 19   | SCREW, Rotor Attaching                | 9416183 | *       | *       | *       | *       | *       | —              | —              |
| 21   | WASHER — Under Breaker Plate — Felt   | 1951099 | *       | *       | *       | *       | *       | *              | *              |
| 23   | WASHER — Between Gear & Base — Space  | 1837617 | —       | —       | —       | *       | —       | —              | —              |
|  | WASHER — Between Gear & Base — Tang   | —       | —       | —       | —       | 1965864 | —       | —              | —              |
|  | WASHER — Under Advance Plate          | —       | —       | —       | —       | 1961927 | —       | 1961927        | 1961927        |
| 24   | BRACKET, Condenser                    | 1869573 | *       | *       | *       | —       | *       | —              | —              |
| 25   | BRUSH — In Cap                        | 1938193 | *       | *       | *       | *       | *       | *              | *              |
|  | CONNECTOR, Lead Junction              | —       | —       | —       | —       | 2973782 | —       | 2973782        | 2973782        |
| 26   | CLIP, Breaker Lever Spring Screw      | 1931998 | *       | —       | *       | —       | —       | —              | —              |
| 27   | GROMMET — For Primary Lead            | 1932023 | —       | —       | *       | —       | *       | —              | —              |
|  | GROMMET, Pole Piece & Plate           | —       | —       | —       | —       | 1932023 | —       | 1932023        | 1932023        |
| 28   | INSULATOR, Breaker Lever Spring Screw | 1931997 | *       | —       | *       | —       | —       | —              | —              |
| 29   | LEAD, Breaker Plate Ground            | 1932002 | *       | *       | *       | —       | *       | —              | —              |
|  | O-RING — On Base                      | 1959331 | —       | —       | —       | —       | —       | —              | —              |
| 33   | PIN, Gear Attaching                   | 455862  | *       | *       | *       | 456652  | *       | *              | 456652         |
|  | POLE PIECE & PLATE ASSEMBLY           | —       | —       | —       | —       | 1960779 | —       | <b>1960779</b> | <b>1960779</b> |
|  | POLE PIECE & WEIGHT BASE              | —       | —       | —       | —       | 1964272 | —       | 1968001        | 1962800        |
|  | RETAINER, Advance Plate               | —       | —       | —       | —       | 1932024 | —       | 1932024        | 1932024        |
|  | RETAINER, Breaker Lever Spring Screw  | 1938376 | *       | *       | *       | —       | —       | —              | —              |
|  | SEAL, Lubrication                     | 1950569 | *       | *       | *       | *       | *       | *              | *              |
|  | SLEEVE, Spring Post — Rubber          | —       | 1961234 | 1961234 | 1961234 | —       | 1945548 | —              | 1945548        |
| 34   | SPRING, Breaker Plate Retainer        | 1932024 | *       | *       | *       | —       | *       | —              | —              |
|  | SPRING, Contact Adjusting             | N.L.A.  | *       | *       | *       | —       | —       | —              | —              |
| * PART NUMBER IS SAME AS NUMBER IN FIRST COLUMN. |                                       |         |         |         |         |         |         |                |                |

**1966-70 6 CYLINDER ENGINE DISTRIBUTOR COMPONENT PARTS**

(FOR DISTRIBUTOR ASSEMBLY APPLICATION REFER TO DISTRIBUTOR CHART PAGE 1)

NOTE: FOR 1964-65 V-6 ENGINE DISTRIBUTOR SEE V-8 ENGINE DISTRIBUTOR CHART PAGE 3.



**MAJOR PARTS**

| Distributor Assembly | Cap     | Rotor   | Contact Assy. | Condenser | Plate Breaker | Housing | Collar Coupling or Gear | Pin    |
|----------------------|---------|---------|---------------|-----------|---------------|---------|-------------------------|--------|
|                      | 1       | 2       | 3             | 4         | 5             | 6       | 7                       | 8      |
| 1110351              | 1971324 | 1954566 | 1954557       | 1928111   | 1961428       | 1954539 | 1962052                 | 456652 |
| 1110399              | "       | "       | "             | "         | "             | "       | "                       | "      |
| 1110463              | "       | 800056  | "             | "         | "             | "       | "                       | "      |
| 1110464              | "       | "       | "             | "         | "             | "       | "                       | "      |

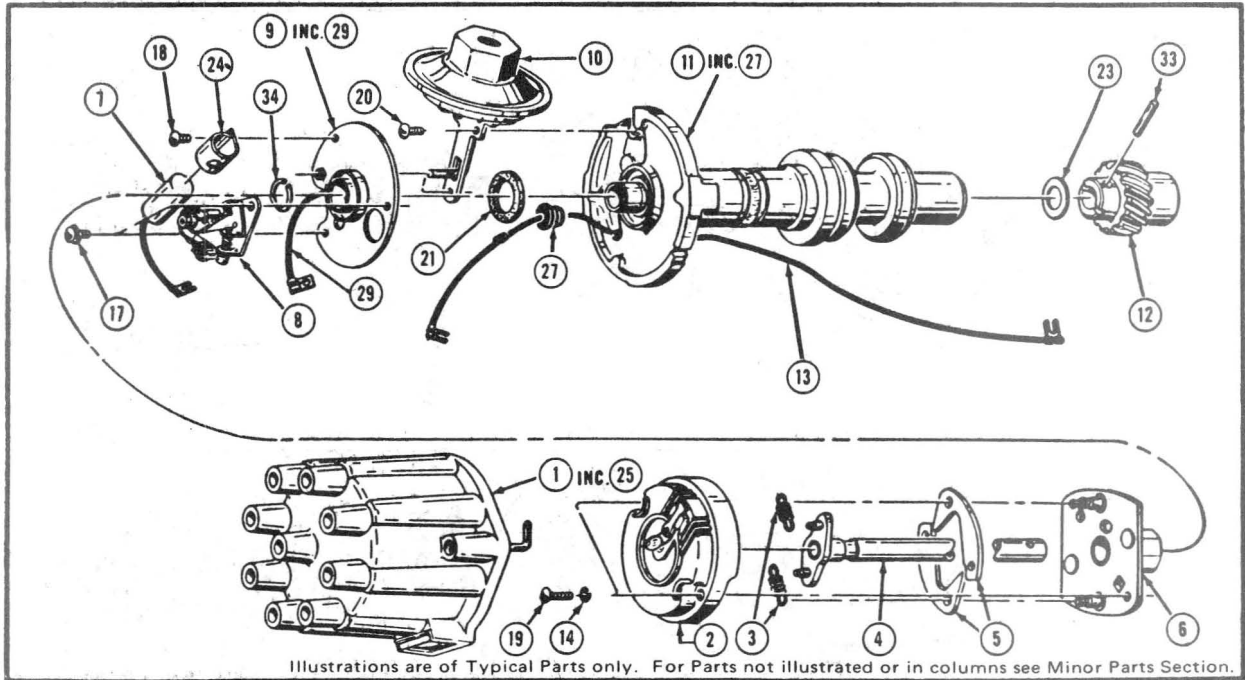
| Distributor Assembly | Plate Hold Down | Cam     | Spring Weight | Weight  | Shaft   | Vacuum Control | Lead Primary |
|----------------------|-----------------|---------|---------------|---------|---------|----------------|--------------|
|                      | 9               | 10      | 13            | 14      | 15      | 16             | 22           |
| 1110351              | 1954548         | 1966621 | 1928363       | 1881371 | 1966436 | 1116195        | 1954563      |
| 1110399              | "               | 1970537 | 1970536       | "       | "       | 1116217        | "            |
| 1110463              | "               | 1970841 | 1922381       | "       | 1970840 | "              | "            |
| 1110464              | "               | 1970537 | 1970536       | "       | 1966436 | "              | "            |

**MINOR PARTS**

| KEY | DESCRIPTION                            | 1110351 | 1110399 | 1110463 | 1110464 |
|-----|--|---------|---------|---------|---------|
| 23  | SCREW, Cap Attaching - # 8-32          | 1954571 | *       | *       | *       |
| 24  | SCREW, Cap Attaching - # 10-32         | 1957573 | *       | *       | *       |
| 25  | SCREW, Capacitor Bracket Attaching     | 454458  | *       | *       | *       |
| 26  | SCREW, Circuit Breaker Plate Attaching | 159582  | *       | *       | *       |
| 27  | SCREW, Contact Adjusting               | 1914916 | *       | *       | *       |
| 28  | SCREW & LOCKWASHER, Hold Down Plate    | 453647  | *       | *       | *       |
| 30  | SCREW, Vacuum Control                  | 1917123 | *       | *       | *       |
| 40  | BRACKET, Condenser                     | 1944118 | *       | *       | *       |
| 41  | BUTTON, Carbon                         | 1938193 | *       | *       | *       |
| 46  | GROMMET                                | 1954564 | *       | *       | *       |
| 51  | SPRING, Breaker Plate                  | 1956213 | *       | *       | *       |
| 52  | WICK, Cam Lub.                         | 1852935 | *       | *       | *       |

\* PART NUMBER SAME AS NUMBER IN FIRST COLUMN

**1968 8 CYLINDER ENGINE DISTRIBUTOR COMPONENT PARTS**  
(FOR DISTRIBUTOR ASSEMBLY APPLICATION REFER TO DISTRIBUTOR CHART PAGE 1)



Illustrations are of Typical Parts only. For Parts not illustrated or in columns see Minor Parts Section.

**MAJOR PARTS**

| Distributor Assembly | Cap<br>1 | Rotor<br>2 | Spring Weight<br>3 | Shaft<br>4 | Weight<br>5 | Cam<br>6 | Con-<br>denser<br>7 | Contact<br>Assem.<br>8 | Plate<br>Breaker<br>9 | Control<br>Vacuum<br>10 | Housing<br>11 | Gear<br>12 | Lead<br>Primary<br>13 |
|----------------------|----------|------------|--------------------|------------|-------------|----------|---------------------|------------------------|-----------------------|-------------------------|---------------|------------|-----------------------|
| 1111286              | 1971244  | 1971247    | 1947660            | 1970178    | 1881371     | 1941849  | 1932004             | 1931988                | 1962141               | 1973408                 | 801262        | 1955676    | 1958971               |
| 1111287              | "        | "          | 1935843            | 1970387    | "           | 1847825  | "                   | "                      | "                     | "                       | "             | "          | "                     |
| 1111290              | 800061   | "          | 1917710            | 1970175    | "           | "        | "                   | "                      | "                     | "                       | "             | "          | "                     |
| 1111299              | 800061   | "          | 1942012            | 1963251    | "           | 1847825  | 1932004             | 1931988                | 1962141               | 1115361                 | "             | "          | 1958971               |
| 1111466-931          | 800061   | "          | 1971185            | 1971183    | 1880902     | 1965066  | "                   | "                      | "                     | 1973407                 | "             | "          | "                     |
| 1111468              | "        | "          | 1885339            | 1971197    | 1881371     | 1967914  | "                   | "                      | "                     | 1973418                 | "             | "          | "                     |
| 1111469-936          | "        | "          | 1959443            | 1971218    | 1924737     | "        | "                   | "                      | "                     | 1973408                 | "             | "          | "                     |
| 1111470              | 800061   | "          | 1970823            | 1958625    | 1881371     | "        | "                   | "                      | "                     | 1973418                 | "             | "          | "                     |

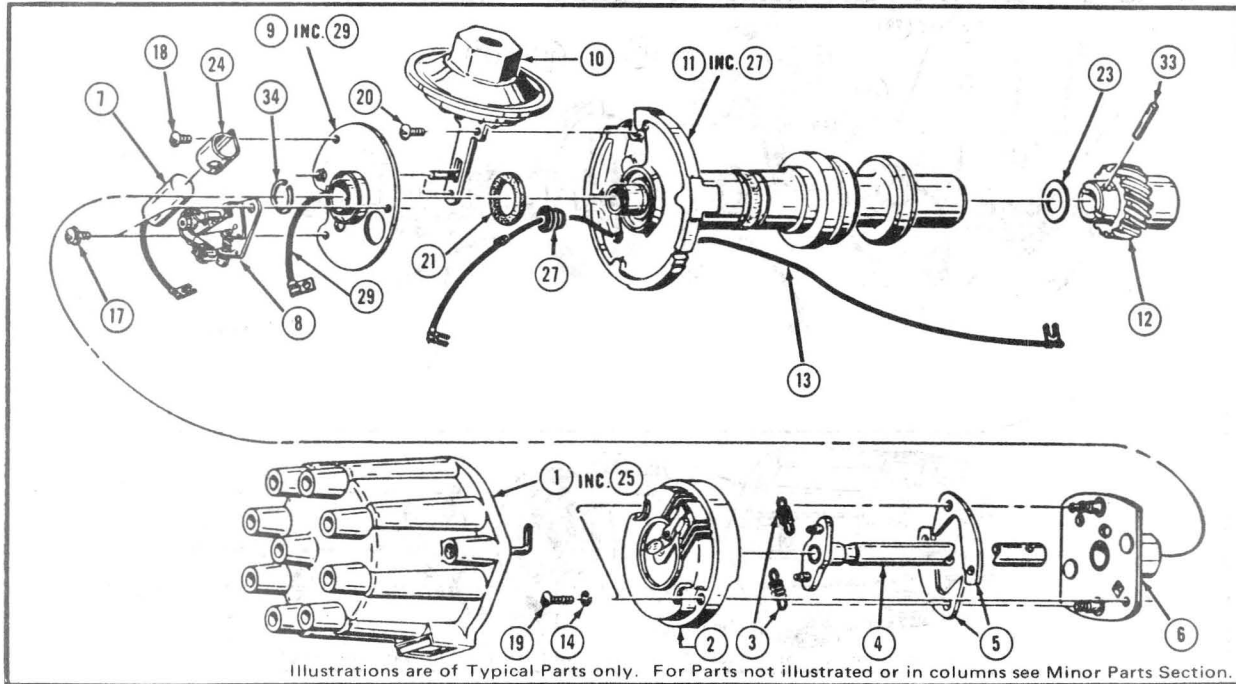
**MINOR PARTS**

| KEY | DESCRIPTION                                      | 1111286 | 1111287 | 1111290 | 1111299 | 1111466<br>1111931 | 1111468<br>1111936 | 1111469 | 1111470 |
|-----|--|---------|---------|---------|---------|--------------------|--------------------|---------|---------|
| 17  | N.L.A.   |         |         |         |         |                    |                    |         |         |
| 18  | SCREW, Condenser Clamp                           | 453647  | *       |         | *       | *                  | *                  | *       |         |
| 20  | SCREW, Vacuum Control Attaching                  |         |         | 159582  |         |                    |                    |         | 159582  |
| 21  | WASHER - Under Breaker Plate - Felt              | 1951099 | *       |         | *       | *                  | *                  | *       | *       |
| 23  | WASHER - Under Shaft - Thrust                    |         |         | 1837617 |         |                    |                    |         |         |
| 24  | WASHER - Under Advance Plate                     |         |         | 1961927 |         |                    |                    |         | 1961927 |
| 24  | BRACKET, Condenser                               | 1869573 | *       |         | *       | *                  | *                  | *       | *       |
| 25  | BRUSH - In Cap                                   | 1938193 | *       |         | *       | *                  | *                  | *       | *       |
|     | BUTTON - In Weight Base - Nylon                  |         |         | 1957329 |         |                    |                    |         | 1957329 |
|     | CONNECTOR, Lead Junction                         |         |         | 2973782 |         |                    |                    |         | 2973782 |
| 27  | GROMMET - For Primary Lead                       | 1932023 | *       |         | *       | *                  | *                  | *       | *       |
|     | GROMMET, Pole Piece & Plate                      |         |         | 1932023 |         |                    |                    |         | 1932023 |
| 29  | LEAD, Breaker Plate Ground                       | 1932002 | *       |         | *       | *                  | *                  | *       | *       |
| 33  | PIN, Gear Attaching                              | 455862  | *       |         | *       | *                  | *                  | *       | *       |
|     | POLE PIECE & PLATE ASSEMBLY                      |         |         | 1960779 |         |                    |                    |         | 1960779 |
|     | POLE PIECE & WEIGHT BASE                         |         |         | 1962800 |         |                    |                    |         | 1970156 |
|     | RETAINER, Advance Plate                          |         |         | 1932024 |         |                    |                    |         | 1932024 |
|     | SEAL, Lubrication                                | 1950569 | *       |         | *       | *                  | *                  | *       | *       |
|     | SLEEVE, Spring Post - Rubber                     | 1945548 | *       |         | *       | *                  | *                  | *       | *       |
| 34  | SPRING, Breaker Plate Retainer                   | 1932024 | *       |         | *       | *                  | *                  | *       | 1961234 |
|     | * PART NUMBER IS SAME AS NUMBER IN FIRST COLUMN. |         |         |         |         |                    |                    |         |         |



**1969 8 CYLINDER ENGINE DISTRIBUTOR COMPONENT PARTS**

(FOR DISTRIBUTOR ASSEMBLY APPLICATION REFER TO DISTRIBUTOR CHART PAGE 1)



Illustrations are of Typical Parts only. For Parts not illustrated or in columns see Minor Parts Section.

**MAJOR PARTS**

| Distributor Assembly | Cap     | Rotor   | Spring Weight | Shaft   | Weight  | Cam     | Con-denser | Contact Assem. | Plate Breaker | Control Vacuum | Housing | Gear    | Lead Primary |
|----------------------|---------|---------|---------------|---------|---------|---------|------------|----------------|---------------|----------------|---------|---------|--------------|
|                      | 1       | 2       | 3             | 4       | 5       | 6       | 7          | 8              | 9             | 10             | 11      | 12      | 13           |
| 1111341              | 800061  | 1971247 | 1970823       | 1958625 | 1881371 | —       | —          | —              | —             | 1973418        | 801262  | 1955676 | —            |
| 1111929              | 1971244 | "       | 1947660       | 1970178 | "       | 1941849 | 1932004    | 1931988        | 1962141       | 1973408        | "       | "       | 1958971      |
| 1111930              | "       | "       | 1942012       | 1963251 | "       | 1849825 | "          | "              | "             | 1115361        | "       | "       | "            |
| 1111932              | "       | "       | 1935843       | 1970387 | "       | "       | "          | "              | "             | 1973408        | "       | "       | "            |
| 1111933              | "       | "       | 1885339       | 1971197 | "       | 1967914 | "          | "              | "             | 1973418        | "       | "       | "            |
| 1111961              | "       | "       | 1946972       | 1962142 | "       | 1961654 | "          | "              | "             | 1973408        | "       | "       | "            |
| 1111973              | "       | "       | 1882995       | 801312  | 1965843 | 801314  | "          | "              | "             | 1973427        | "       | "       | "            |
| 1111989              | "       | "       | 1930200       | 801842  | 1881371 | "       | 1928111    | "              | "             | "              | "       | "       | "            |

**MINOR PARTS**

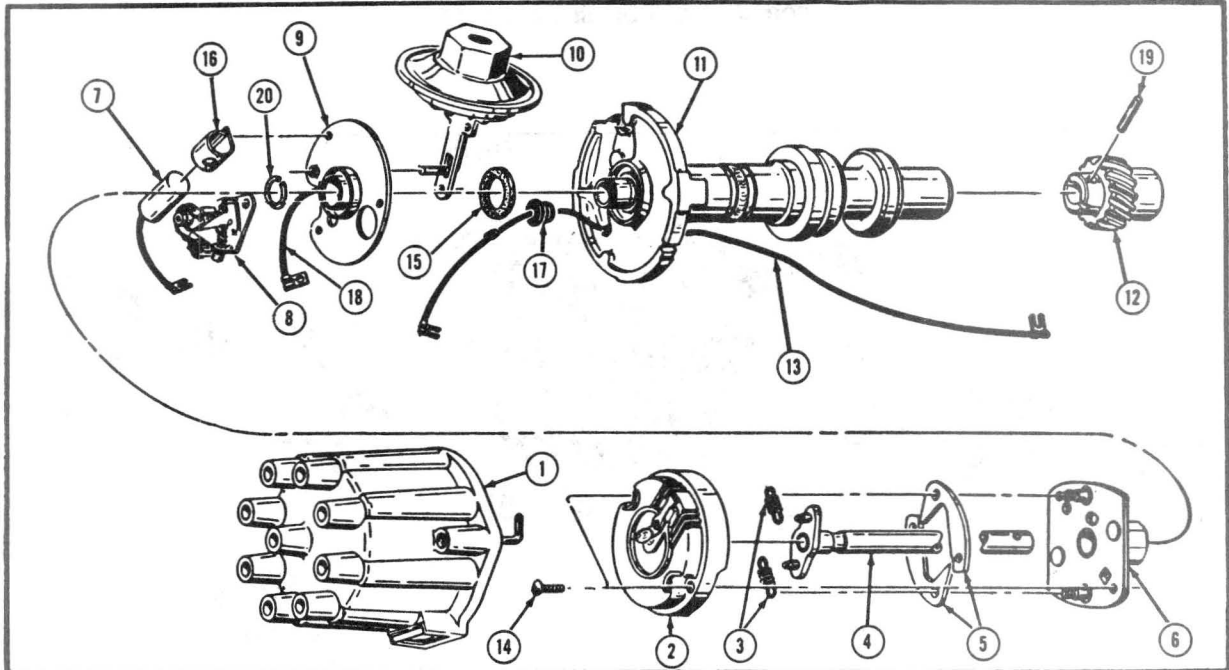
| KEY | DESCRIPTION                                       | 1111341 | 1111929 | 1111930 | 1111932 | 1111933 | 1111961 | 1111973 | 1111989 |
|-----|---|---------|---------|---------|---------|---------|---------|---------|---------|
| 17  | SCREW & LOCKWASHER, Contact Assembly — Pkg. of 50 | —       | Disc.   | Disc.   | Disc.   | Disc.   | Disc.   | Disc.   | Disc.   |
| 18  | SCREW, Condenser Clamp                            | —       | 453647  | 453647  | 453647  | 453647  | 453647  | 453647  | 453647  |
| 20  | SCREW, Vacuum Control Attaching                   | 159582  | —       | —       | —       | —       | —       | —       | —       |
| 21  | WASHER — Under Breaker Plate — Felt               | 1951099 | *       | *       | *       | *       | *       | *       | *       |
|     | WASHER — Under Advance Plate                      | 1961927 | —       | —       | —       | —       | —       | —       | —       |
| 24  | BRACKET, Condenser                                | —       | 1869573 | 1869573 | 1869573 | 1869573 | 1869573 | 1869573 | 1869573 |
| 25  | BRUSH — In Cap                                    | 1938193 | *       | *       | *       | *       | *       | *       | *       |
|     | BUTTON — In Weight Base — Nylon                   | 1957329 | —       | —       | —       | —       | —       | —       | —       |
|     | CONNECTOR, Lead Junction                          | 2973782 | —       | —       | —       | —       | —       | —       | —       |
|     | FELT, Cam Oiler                                   | —       | —       | 1961088 | 1961088 | 1961088 | 1961088 | —       | 1961088 |
| 27  | GROMMET — For Primary Lead                        | 1932023 | 1932023 | 1932023 | 1932023 | 1932023 | 1932023 | 1932023 | 1932023 |
| 29  | LEAD, Breaker Plate Ground                        | —       | 1932002 | 1932002 | 1932002 | 1932002 | 1932002 | 1932002 | 1932002 |
| 33  | PIN, Gear Attaching                               | 455862  | *       | *       | *       | *       | *       | *       | *       |
|     | POLE PIECE & PLATE ASSEMBLY                       | 1960779 | —       | —       | —       | —       | —       | —       | —       |
|     | POLE PIECE & WEIGHT BASE                          | 1970156 | —       | —       | —       | —       | —       | —       | —       |
|     | O-RING — On Base                                  | —       | —       | —       | —       | —       | 1959331 | —       | —       |
|     | RETAINER, Advance Plate                           | 1932024 | —       | —       | —       | —       | —       | —       | —       |
|     | RETAINER, Felt Wick                               | —       | —       | 1963858 | 1963858 | 1963858 | 1963858 | —       | 1963858 |
|     | SEAL, Lubrication                                 | 1950569 | *       | *       | *       | *       | *       | *       | *       |
|     | SLEEVE, Spring Post — Rubber                      | 1945548 | *       | —       | —       | —       | *       | —       | *       |
| 34  | SPRING, Breaker Plate Retainer                    | —       | 1932024 | 1932024 | 1932024 | 1932024 | 1932024 | 1932024 | 1932024 |

\* PART NUMBER IS SAME AS NUMBER IN FIRST COLUMN.



**1970 8 CYL. DISTRIBUTOR COMPONENT PARTS**

(FOR DISTRIBUTOR APPLICATION SEE GROUP 2.361)



**MAJOR PARTS**

| Distributor Stamping | Cap    | Rotor   | Spring Weight | Shaft   | Weight  | Cam     | Con- denser | Contact Assy. | Plate Breaker | Control Vacuum | Housing | Gear    | Lead Primary |
|----------------------|--------|---------|---------------|---------|---------|---------|-------------|---------------|---------------|----------------|---------|---------|--------------|
| ASSEMBLY             | 1      | 2       | 3             | 4       | 5       | 6       | 7           | 8             | 9             | 10             | 11      | 12      | 13           |
| 1111976              | 800061 | 1971247 | 1916230       | 1962142 | 1881371 | 1941849 | 1932004     | 1931988       | 1876641       | 1973408        | 801262  | 1955676 | 1846199      |
| 1111980              | "      | "       | 1941964       | 1965297 | 1880902 | 1965844 | "           | "             | "             | "              | "       | "       | "            |
| 1111981              | "      | "       | 1970573       | 1970130 | "       | 1847825 | "           | "             | "             | 1973427        | "       | "       | "            |
| 1111982              | "      | "       | 1959443       | 1971218 | 1924737 | 1967914 | "           | "             | "             | "              | "       | "       | "            |
| 1111975              | "      | "       | 1942012       | 1963251 | 1881371 | 1941135 | "           | "             | "             | 1115361        | "       | "       | "            |
| 1111977              | "      | "       | 1935843       | 1970387 | "       | "       | "           | "             | "             | 1973408        | "       | "       | "            |
| 1111979              | "      | "       | 1930200       | 801842  | "       | 801314  | "           | "             | "             | 1973427        | "       | "       | "            |

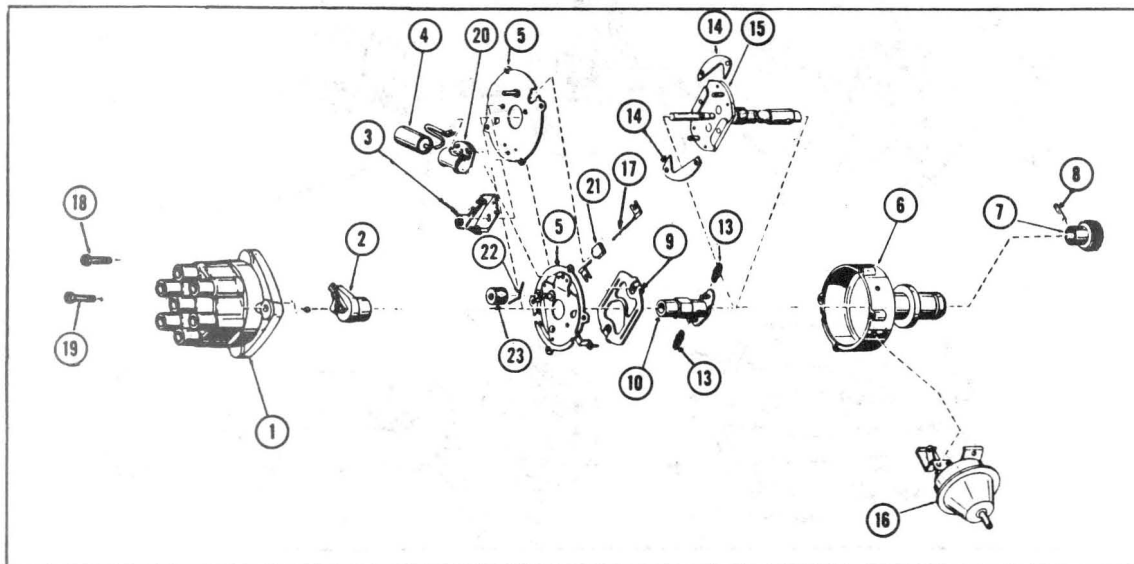
**MINOR PARTS**

| KEY | DESCRIPTION                               | 1111976 | 1111980 | 1111981 | 1111982 | 1111975 | 1111977 | 1111979 |
|-----|---|---------|---------|---------|---------|---------|---------|---------|
| 14  | SCREW & LOCKWASHER, Rotor Attach          | N.L.A.  | *       | *       | *       | *       | *       | *       |
| 15  | WASHER, /Felt/ Under Plate                | 1951099 | *       | *       | *       | *       | *       | *       |
| 16  | BRACKET, Condenser                        | 1869573 | *       | *       | *       | *       | *       | *       |
| 17  | GROMMET, For Primary Lead                 | 1932023 | *       | *       | *       | *       | *       | *       |
| 18  | LEAD, Breaker Plate Ground                | 1932002 | *       | *       | *       | *       | *       | *       |
| 19  | PIN, Gear Attach                          | 455862  | *       | *       | *       | *       | *       | *       |
| 20  | SPRING, Breaker Plate Retainer            | 1932024 | *       | *       | *       | *       | *       | *       |
|     | SEAL, Housing                             | 1950569 | *       | *       | *       | *       | *       | *       |
|     | SCREW, Shield Attach                      | 1846215 | *       | *       | *       | *       | —       | *       |
|     | SHIELD PKG., Radio Frequency Interference | 1846216 | *       | *       | *       | *       | —       | *       |
|     | SLEEVE, Spring Post                       | 1961234 | *       | *       | *       | *       | 1945548 | *       |
|     | WICK, Cam Lub                             | 1852935 | *       | *       | *       | *       | *       | *       |
|     | RETAINER, Wick                            | 1963858 | *       | *       | *       | *       | *       | *       |

\* Part Number Same As Number In First Column.

## 1971 6 CYL. DISTRIBUTOR COMPONENTS

(FOR APPLICATION SEE GR. 2.361)

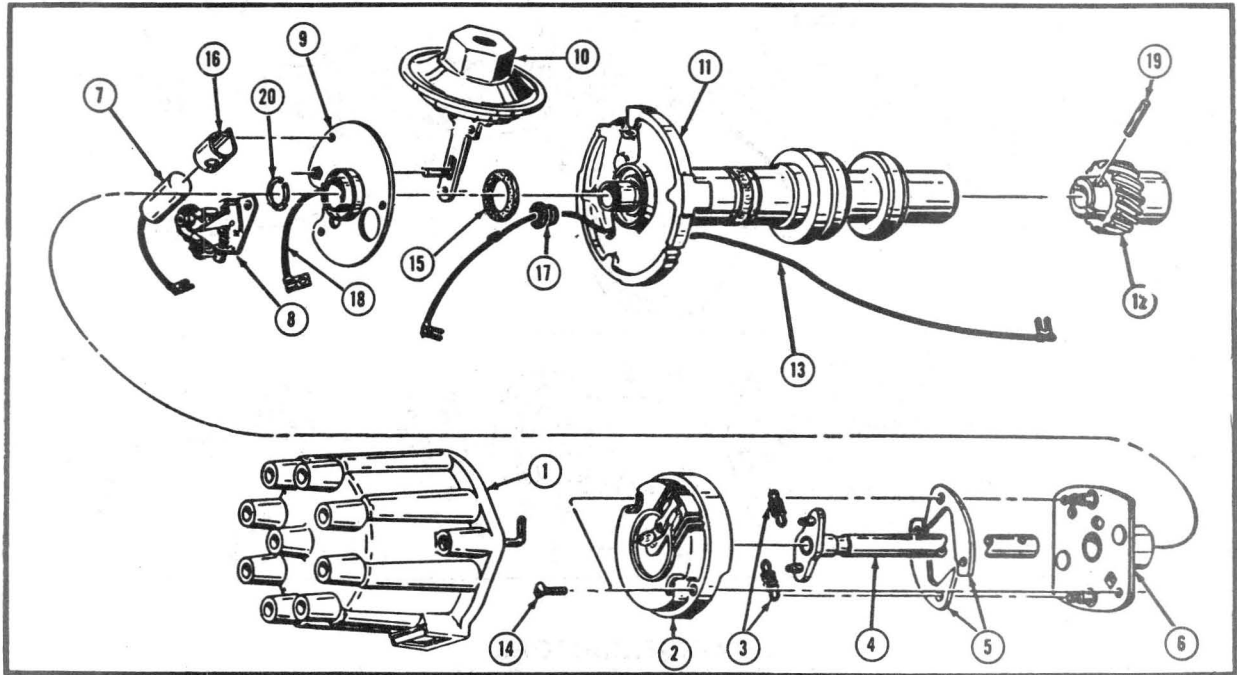


| Key | Components                | Assemblies |         |
|-----|---------------------------|------------|---------|
|     |                           | 1110465    | 1110466 |
| 1   | Cap                       | 1971324    | *       |
| 2   | Rotor                     | 800056     | *       |
| 3   | Contact Assy.             | 1954557    | *       |
| 4   | Condenser                 | 1928111    | *       |
| 5   | Plate, Breaker            | 1961428    | *       |
| 6   | Housing                   | 1846069    | *       |
| 7   | Collar Coupling or Gear   | 1962052    | *       |
| 8   | Pin                       | 456652     | *       |
| 9   | Plate, Hold Down          | 1954548    | *       |
| 10  | Cam                       | 1970841    | 1970537 |
| 13  | Spring, Weight            | 1922381    | 1970536 |
| 14  | Weight                    | 1881371    | *       |
| 15  | Shaft                     | 1970840    | 1966436 |
| 16  | Vacuum, Control           | 1116217    | *       |
| 17  | Lead, Primary             | 1954563    | *       |
| 18  | Screw (#8-32) Cap Attach  | 1954571    | *       |
| 19  | Screw (#10-32) Cap Attach | 1957573    | *       |
| 20  | Bracket, Condenser        | 1944118    | *       |
| 21  | Grommet                   | 1954564    | *       |
| 22  | Spring, Breaker Plate     | 1956213    | *       |
| 23  | Wick, Cam Lub.            | 1852935    | *       |

\*Part No. Same as No. in First Column

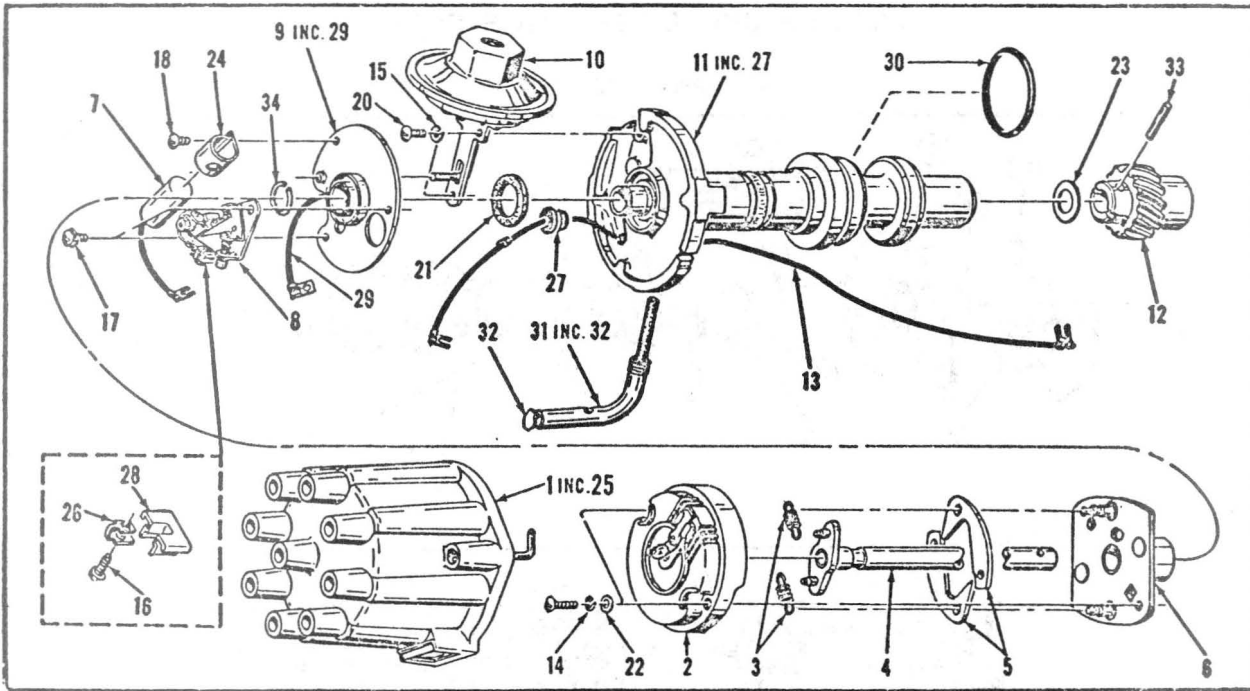
**1971-72 8 CYL. DISTRIBUTOR COMPONENTS**

FOR APPLICATION SEE GR. 2.361



| Key | Components                     | Assemblies |         |         |         |         |
|-----|--------------------------------|------------|---------|---------|---------|---------|
|     |                                | 1111976    | 1112033 | 1112034 | 112036  | 1112079 |
| 1   | Cap                            | 800061     | *       | *       | *       | *       |
| 2   | Rotor                          | 1971247    | *       | *       | *       | *       |
| 3   | Spring Weight                  | 1916230    | 1959443 | 1847827 | 1935843 | 1886967 |
| 4   | Shaft                          | 1962142    | 1971218 | 1847822 | 1970387 | 1851444 |
| 5   | Weight                         | 1881371    | 1924737 | 1965843 | 1881371 | 1881371 |
| 6   | Cam                            | 1941849    | 1967914 | 1847825 | 1847825 | 1966244 |
| 7   | Condenser                      | 1932004    | *       | *       | *       | *       |
| 8   | Contact Assy.                  | 1931988    | *       | *       | *       | *       |
| 9   | Plate Breaker                  | 1876641    | *       | *       | *       | *       |
| 10  | Control Vacuum                 | 1973408    | *       | 1973407 | 1973407 | 1973407 |
| 11  | Housing                        | 801262     | *       | *       | *       | *       |
| 12  | Gear                           | 1955676    | *       | *       | *       | *       |
| 13  | Lead Primary                   | 1846199    | 1942518 | 1942518 | 1942518 | 1942518 |
| 14  | Screw & Lockwasher, Rotor      | N.L.A.     | *       | *       | *       | *       |
| 15  | Washer/Felt/Under Plate        | 1951099    | *       | *       | *       | *       |
| 16  | Brkt, Condenser                | 1869573    | *       | *       | *       | *       |
| 17  | Grommet, Primary Lead          | 1932023    | *       | *       | *       | *       |
| 18  | Lead, Breaker Plate Ground     | 1932002    | *       | *       | *       | *       |
| 19  | Pin, Gear Attach.              | 455862     | *       | *       | *       | *       |
| 20  | Spring, Breaker Plate Retainer | 1932024    | *       | *       | *       | *       |

\*Part No. Same as No. in First Column



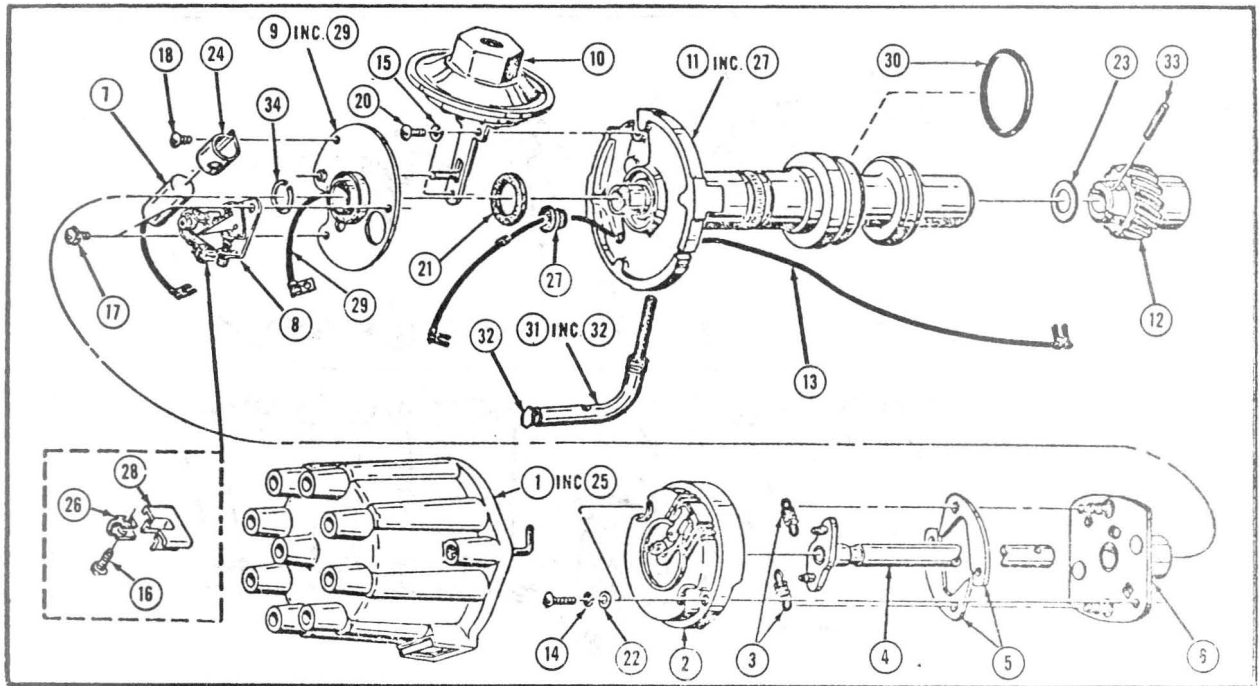
**1972 DISTRIBUTORS**  
For Application See Gr. 2.361

**MAJOR PARTS**

| DISTRIBUTOR<br>STAMPING<br>ASSEMBLY | Cap<br>1    | Rotor<br>2   | Spring<br>—<br>Weight<br>3 | Shaft<br>4         | Weight<br>5  | Cam<br>6     | Con-<br>denser<br>7 | Contact<br>—<br>Assem.<br>8 | Plate<br>—<br>Breaker<br>9 | Control<br>—<br>Vacuum<br>10 | Housing<br>11 | Gear<br>12   | Lead<br>—<br>Primary<br>13 |
|-------------------------------------|-------------|--------------|----------------------------|--------------------|--------------|--------------|---------------------|-----------------------------|----------------------------|------------------------------|---------------|--------------|----------------------------|
| 1112085<br>1112106                  | 800061<br>" | 1971247<br>" | 1916230<br>1928363         | 1962142<br>1852144 | 1881371<br>" | 1941849<br>" | 1932004<br>"        | 1931988<br>"                | 1876641<br>"               | 1973407<br>"                 | 801262<br>"   | 1955676<br>" | 1942518<br>"               |

**MINOR PARTS**

| KEY | DESCRIPTION                    | 1112085 | 1112106 |
|-----|--------------------------------|---------|---------|
| 14  | Screw & Lockwasher, Rotor      | N.L.A.  | "       |
| 21  | Washer, Felt, Under Plate      | 1951099 | "       |
| 24  | Brkt, Condenser                | 1869573 | "       |
| 27  | Grommet, Primary Lead          | 1932023 | "       |
| 29  | Lead, Breaker Plate Ground     | 1932002 | "       |
| 33  | Pin, Gear Attach               | 455862  | "       |
| 34  | Spring, Breaker Plate Retainer | 1932024 | "       |



**1973-74 DISTRIBUTORS**  
(FOR APPLICATION SEE GROUP 2.361)

**MAJOR PARTS**

| Distributor Assembly | Cap<br>1 | Rotor<br>2 | Spring Weight<br>3 | Shaft<br>4 | Weight<br>5 | Cam<br>6 | Con-<br>denser<br>7 | Contact<br>Assy.<br>8 | Plate<br>Breaker<br>9 | Control<br>Vacuum<br>10 | Housing<br>11 | Gear<br>12 | Lead<br>Primary<br>13 |
|----------------------|----------|------------|--------------------|------------|-------------|----------|---------------------|-----------------------|-----------------------|-------------------------|---------------|------------|-----------------------|
| 1112195              | 800061   | 1852722    | 1916230            | 1962142    | 1881371     | 1941849  | 1932004             | 1931988               | <b>1876641</b>        | 1973453                 | 801262        | 1955676    | 1942518               |
| 1112197              | ..       | ..         | 1870676            | 1971218    | 1924737     | 1967914  | ..                  | ..                    | ..                    | 1116232                 | ..            | ..         | ..                    |
| 1112222              | ..       | ..         | 1846056            | 1962142    | 1881371     | 1914849  | ..                  | ..                    | ..                    | 1973453                 | ..            | ..         | ..                    |
| 1112225              | ..       | ..         | 1964950            | 1875814    | ..          | 1961654  | ..                  | ..                    | ..                    | ..                      | ..            | ..         | ..                    |

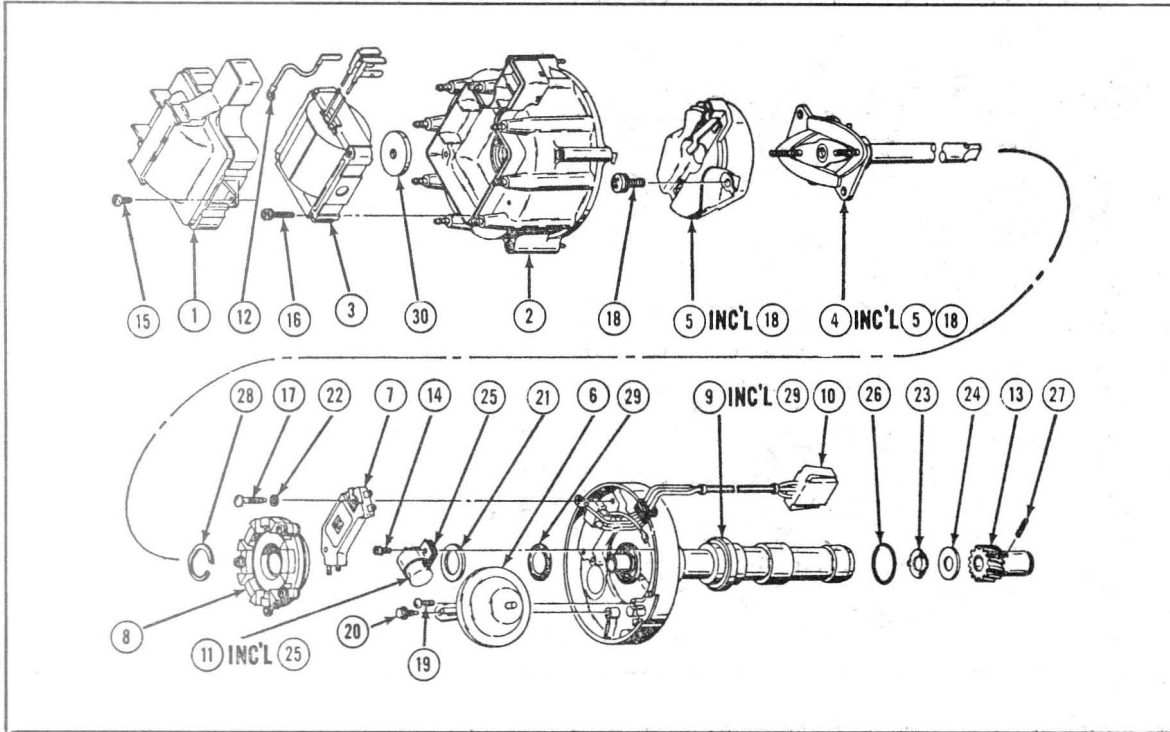
**MINOR PARTS**

| Key | Description                       | 1112195        | 1112197 | 1112222 | 1112225 |
|-----|-----------------------------------|----------------|---------|---------|---------|
| 14. | SCREW & LOCKWASHER, Rotor Attach. | <b>N.L.A.</b>  | *       | *       | *       |
| 21. | WASHER-FELT-UNDER BREAKER PLATE   | <b>1951099</b> | *       | *       | *       |
| 24. | BRACKET, Condenser                | <b>1869573</b> | *       | *       | *       |
| 29. | LEAD, Ground                      | <b>1932002</b> | *       | *       | *       |
| 33. | PIN, Gear Attaching               | 455862         | *       | 456652  | *       |
| 34. | SPRING, Breaker Plate Ret.        | 1932024        | *       | *       | *       |
| —   | SEAL, Housing                     | 1950569        | *       | *       | *       |
| —   | SLEEVE, Spring Post               | 1961234        | *       | *       | *       |
| —   | GROMMET, Primary Lead             | 1932023        | *       | *       | *       |
| —   | RETAINER, Felt Wick               | 1963858        | *       | *       | *       |
| —   | WICK, Cam Lub.                    | 1852935        | *       | *       | *       |
| —   | SHIELD PKG., R.F.I.               | 1846216        | *       | *       | *       |
| —   | SCREW & LOCKWASHER, Shield        | 1846215        | *       | *       | *       |

\* PART NUMBER IS SAME AS NUMBER IN FIRST COLUMN.



### 1974 H.E.I. DISTRIBUTOR COMPONENT PARTS



#### MAJOR PARTS

| Distributor Assembly | Cover<br>—<br>Cap | Cap     | Coil<br>Assem. | Shaft<br>Assem. | Rotor   | Control<br>—<br>Vacuum | Module  | Pole<br>Pc<br>& Plate | Housing | Harness | Capa-<br>citor | Lead<br>—<br>Ground | Gear    |
|----------------------|-------------------|---------|----------------|-----------------|---------|------------------------|---------|-----------------------|---------|---------|----------------|---------------------|---------|
|                      | 1                 | 2       | 3              | 4               | 5       | 6                      | 7       | 8                     | 9       | 10      | 11             | 12                  | 13      |
| 1112523              | 1875960           | 1974408 | 1876209        | 1876310         | 1875943 | 1973480                | 1875990 | 1876210               | 1876207 | 1876018 | 1876154        | 1876155             | 1955676 |
| 1112524              | ..                | ..      | ..             | 1876319         | ..      | 1973499                | ..      | ..                    | ..      | ..      | ..             | ..                  | ..      |
| 1112506              | ..                | ..      | ..             | 1876203         | ..      | 1873474                | ..      | ..                    | ..      | ..      | ..             | ..                  | ..      |
| 1112889              | —                 | —       | —              | —               | —       | 1973522                | —       | —                     | —       | —       | —              | —                   | —       |

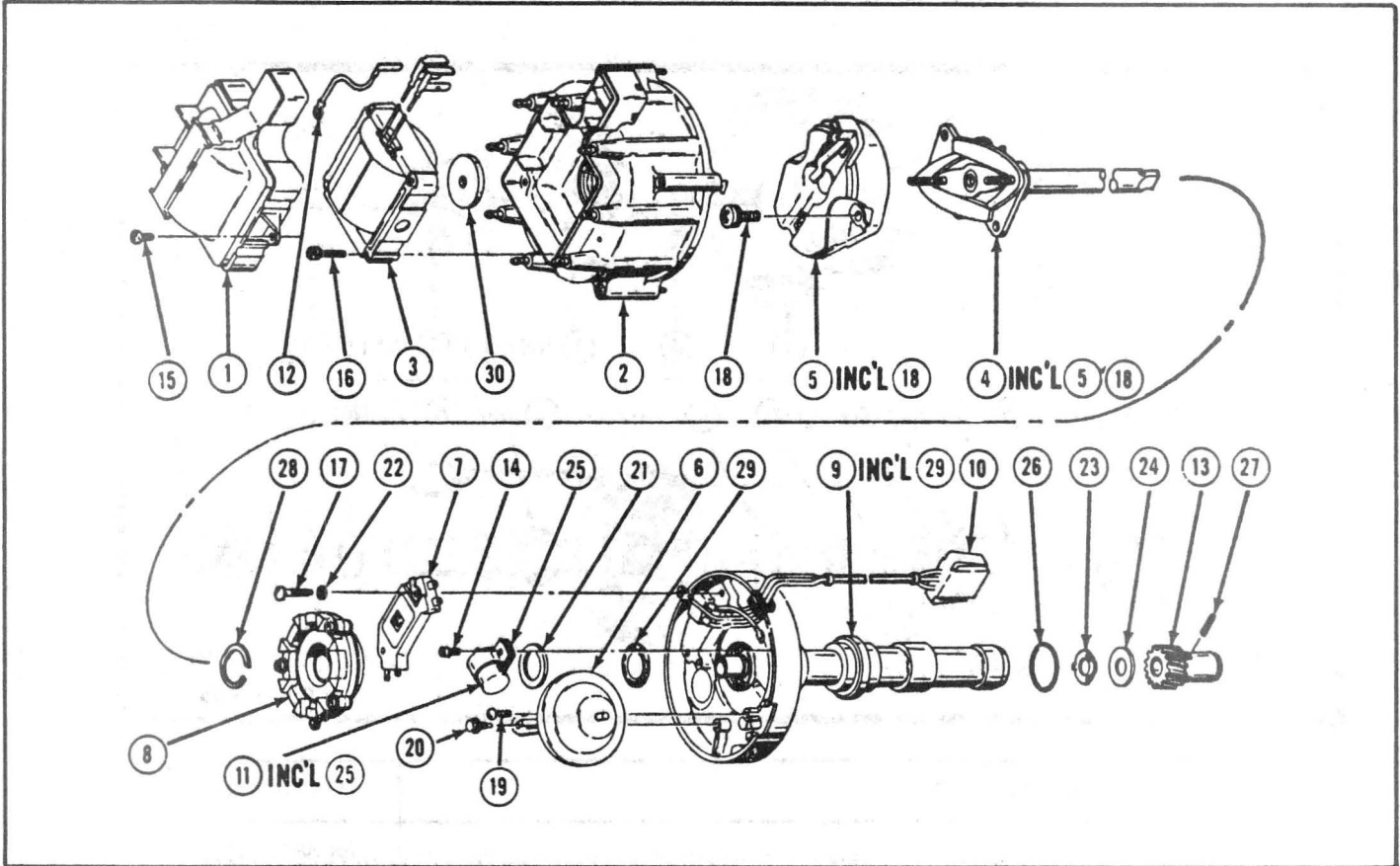
#### MINOR PARTS

| Key | Description                       | 1112523 | 1112524 | 1112506 | 1112889 |
|-----|-----------------------------------|---------|---------|---------|---------|
| 14. | SCREW, Bracket Attach.            | 1876639 | *       | *       | —       |
| 15. | SCREW, Cover Attach.              | 1876153 | *       | *       | —       |
| 16. | SCREW, Coil Attach.               | 1875961 | *       | *       | —       |
| 17. | SCREW, Module Attach.             | 1876020 | *       | *       | —       |
| 18. | SCREW, Rotor Attach.              | 1875948 | *       | *       | —       |
| 19. | SCREW, Vacuum Control Attach      | —       | —       | —       | —       |
| 21. | WASHER—FELT—Under Pole Pc & Plate | 1951099 | *       | *       | —       |
| 22. | WASHER—PLAIN—Module Attach. Screw | —       | —       | —       | —       |
| 25. | BRACKET, Capacitor                | 1869573 | *       | *       | —       |
| 27. | PIN, Attach. Gear                 | 455862  | *       | *       | —       |
| 28. | RETAINER, Pole Pc. & Plate        | 1932024 | *       | *       | —       |
| 29. | SEAL, Dist. Housing               | 1950569 | *       | *       | —       |
| 30. | SEAL, Under Coil                  | 1875962 | *       | *       | —       |

\* (SAME AS PART NUMBER IN FIRST COLUMN).

## 1975 H.E.I. DISTRIBUTOR COMPONENT PARTS

For Distributor Assembly Application Refer to Distributor Chart Page 1



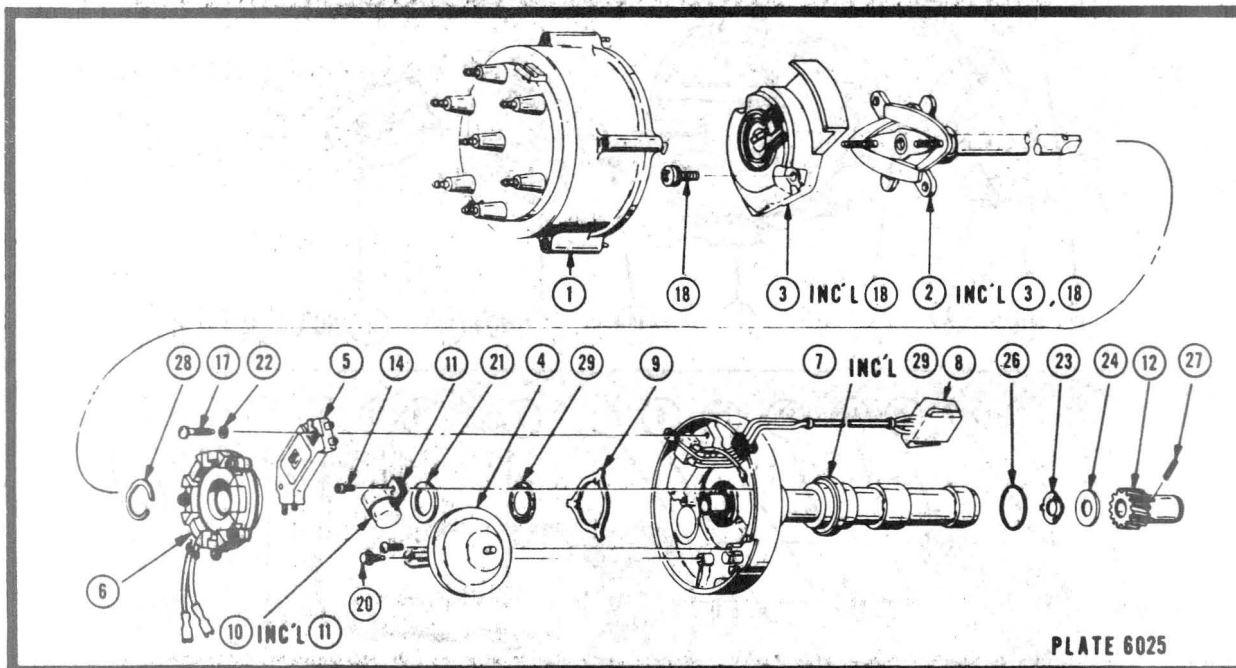
| MODEL   | COVER CAP | CAP     | COIL ASSY. | SHAFT ASSY. | ROTOR   | CONTROL VACUUM | MODULE  | POLE PC. & PLATE | HOUSING | HARNESS | CAPACITOR | LEAD GROUND | GEAR    |
|---------|-----------|---------|------------|-------------|---------|----------------|---------|------------------|---------|---------|-----------|-------------|---------|
|         | 1         | 2       | 3          | 4           | 5       | 6              | 7       | 8                | 9       | 10      | 11        | 12          | 13      |
| 1112936 | 1875960   | 1974408 | 1876209    | 830496      | 1891080 | 1973531        | 1875990 | 1876210          | 1876207 | 1876018 | 1876154   | 1876155     | 1955676 |
| 1112937 | "         | "       | "          | 830510      | "       | 1973563        | "       | "                | "       | "       | "         | "           | "       |
| 1112863 | —         | 1880042 | 1880040    | 1891100     | 1880011 | 1973517        | "       | 1880040          | 1880038 | 1880021 | "         | —           | "       |
| 1112951 | —         | —       | 1876209    | 1891243     | —       | 1973556        | —       | 1876210          | 1876207 | 1876018 | —         | —           | "       |

| Key | Components                                    | 1112936 | 1112937 | 1112863 | 1112951 |
|-----|---|---------|---------|---------|---------|
| 14  | Screw — Capacitor Bracket Attaching .....     | 1876639 | *       | *       | —       |
| 15  | Screw — Dist. Cap Cover Attaching .....       | 1876153 | *       | —       | —       |
| 16  | Screw — Ignition Coil Attaching .....         | —       | —       | —       | —       |
| 17  | Screw — Module Attaching .....                | 1891234 | *       | *       | —       |
| 18  | Screw — Rotor Attaching .....                 | —       | —       | —       | —       |
| 19  | Screw — Vacuum Control Attaching .....        | 1891239 | *       | *       | —       |
| 20  | Screw — Vacuum Control Attaching .....        | —       | —       | —       | —       |
| 21  | Washer — Felt — Under Pole Pc. & Plate .....  | 1951099 | *       | *       | —       |
| 22  | Washer — Plain — Module Attaching Screw ..... | —       | —       | —       | —       |
| 25  | Bracket — Capacitor .....                     | 1869573 | *       | *       | —       |
| 27  | Pin — Gear Attaching .....                    | 456652  | *       | 455862  | 455862  |
| 28  | Retainer — Pole Pc. & Plate .....             | 830446  | *       | *       | —       |
| 29  | Seal — Dist. Housing .....                    | 1950569 | *       | *       | —       |
| 30  | Seal — Under Ign. Coil .....                  | 1875962 | *       | —       | —       |

\* Same as Part Number in First Column.

## 1975-76 6 CYL. DISTRIBUTOR COMPONENT PARTS

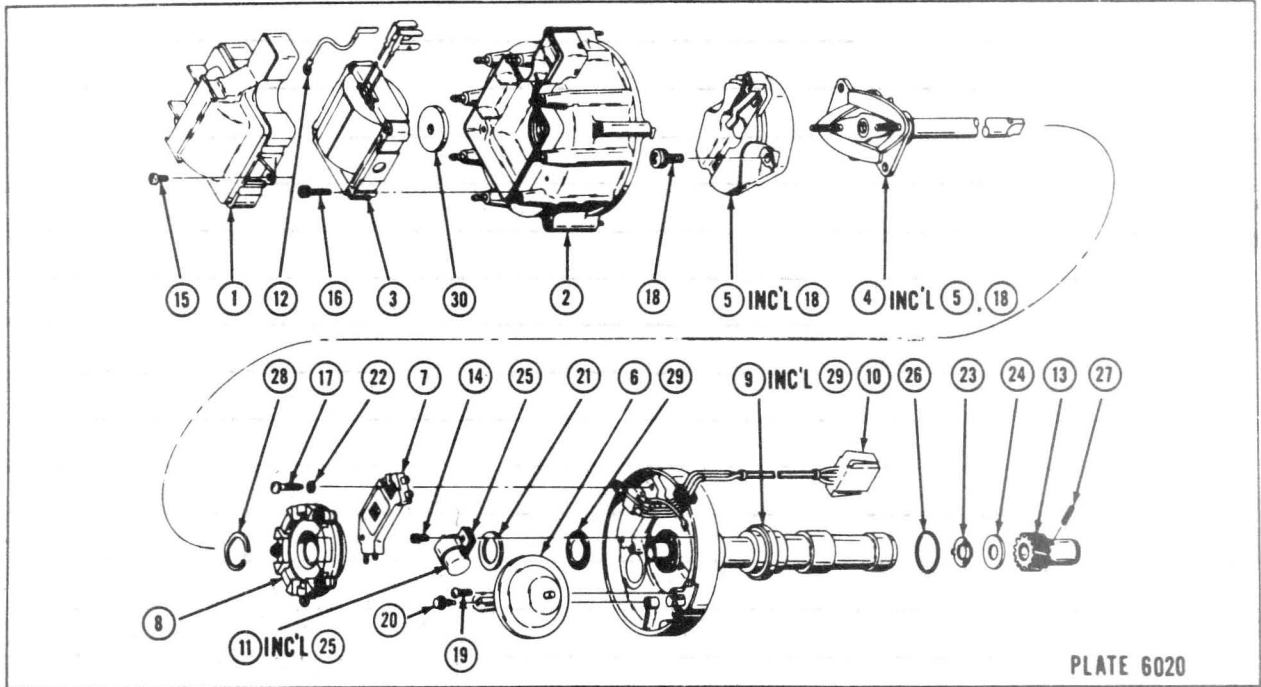
(FOR APPLICATION SEE DISTRIBUTOR CHART PAGE 2)



| DISTRIBUTOR |                          | 1112863 |
|-------------|--------------------------|---------|
| 1           | Cap .....                | 1880042 |
| 2           | Shaft .....              | 1891100 |
| 3           | Rotor .....              | 1880011 |
| 4           | Vacuum Control .....     | 1973517 |
| 5           | Module .....             | 1875990 |
| 6           | Pole Piece & Plate ..... | 1880040 |
| 7           | Housing .....            | 1880038 |
| 8           | Harness .....            | 1880021 |
| 9           | Retainer .....           | 1891074 |
| 10          | Capacitor .....          | 1876154 |
| 11          | Bracket .....            | 1869573 |
| 12          | Gear .....               | 1955676 |
| 14          | Screw .....              | 1876639 |
| 17          | Screw .....              | 1891234 |
| 18          | Screw .....              | 1875948 |
| 20          | Screw .....              | 1891239 |
| 21          | Washer .....             | 1951099 |
| 23          | Washer .....             | 1965864 |
| 24          | Washer .....             | 1837617 |
| 27          | Pin .....                | 455862  |
| 28          | Retainer .....           | 830446  |
| 29          | Seal .....               | 1950569 |



**1976 V-8 H.E.I. DISTRIBUTOR COMPONENT PARTS**

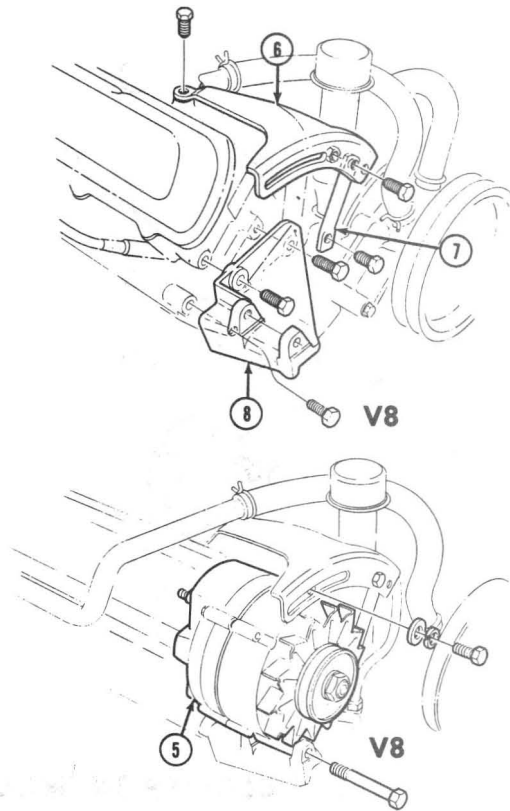
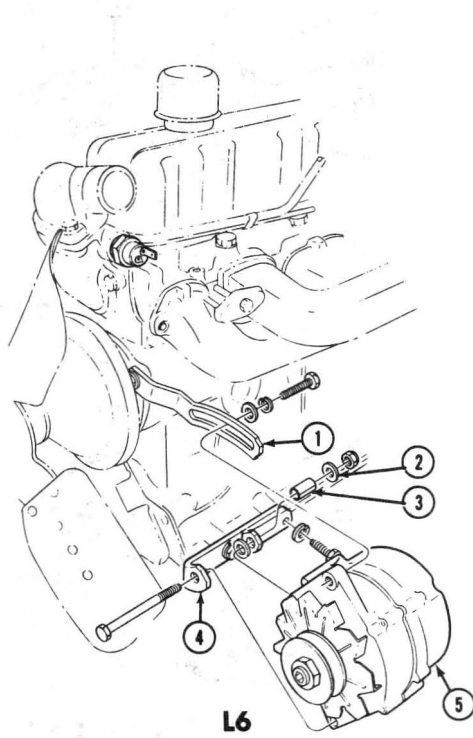


| MODEL   | COVER CAP | CAP     | COIL    | SHAFT   | ROTOR   | VACUUM CONTROL | MODULE  | POLE PC. & PLATE | HOUSING | HARNESS | CAPACITOR | GRD. LEAD | GEAR    |
|---------|-----------|---------|---------|---------|---------|----------------|---------|------------------|---------|---------|-----------|-----------|---------|
|         | 1         | 2       | 3       | 4       | 5       | 6              | 7       | 8                | 9       | 10      | 11        | 12        | 13      |
| 1112951 | 1875960   | 1974408 | 1876209 | 1891243 | 1891080 | 1973556        | 1875990 | 1876210          | 1876207 | 1876018 | 1876154   | 1876155   | 1955676 |
| 1112936 | *         | *       | *       | 830496  | *       | 1973531        | *       | *                | *       | *       | *         | *         | *       |
| 1112953 | *         | *       | *       | 830496  | *       | 1973536        | *       | *                | *       | *       | *         | *         | *       |
| 1112937 | *         | *       | *       | 830510  | *       | 1973563        | *       | *                | *       | *       | *         | *         | *       |

| Key | Components     | 1112951 | 1112936 | 1112953 | 1112937 |
|-----|----------------|---------|---------|---------|---------|
| 14  | Screw .....    | 1876639 | *       | *       | *       |
| 15  | Screw .....    | 1876153 | *       | *       | *       |
| 16  | Screw .....    | 1875961 | *       | *       | *       |
| 17  | Screw .....    | 1891234 | *       | *       | *       |
| 18  | Screw .....    | 1875948 | *       | *       | *       |
| 19  | Screw .....    | 1891239 | *       | *       | *       |
| 20  | Screw .....    | 1891239 | *       | *       | *       |
| 21  | Washer .....   | 1951099 | *       | *       | *       |
| 23  | Washer .....   | 1965864 | *       | *       | *       |
| 24  | Washer .....   | 1837617 | *       | *       | *       |
| 25  | Bracket .....  | 1869573 | *       | *       | *       |
| 27  | Pin .....      | 455862  | *       | *       | *       |
| 28  | Retainer ..... | 830446  | *       | *       | *       |
| 29  | Seal .....     | 1950569 | *       | *       | *       |
| 30  | Seal .....     | 1875962 | *       | *       | *       |
|     | Brush .....    | 1875967 | *       | *       | *       |

\* Same as Part Number in First Column.

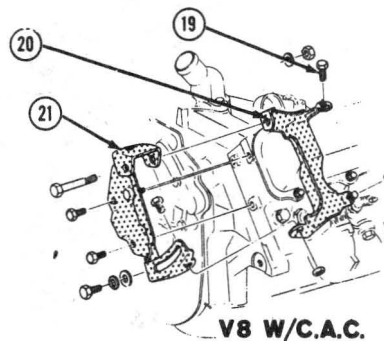
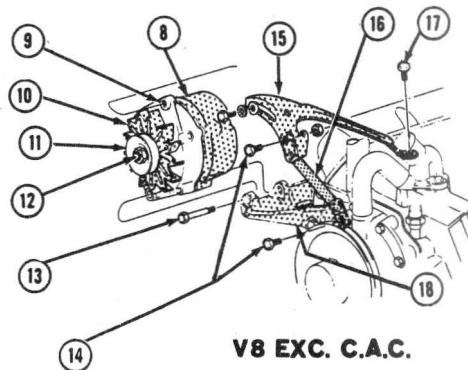
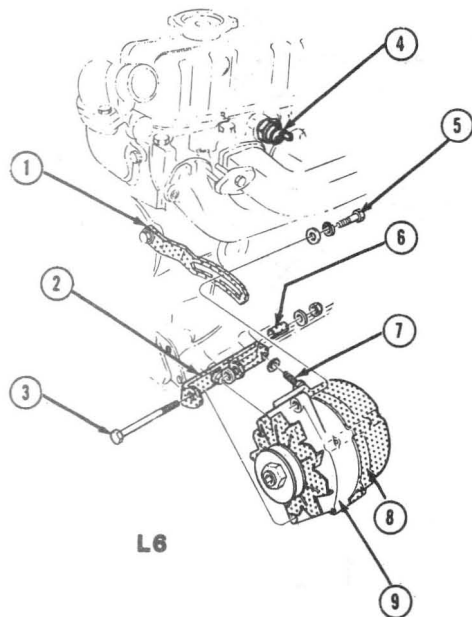




**DELCOTRON MOUNTING**  
(TYPICAL)

| Key | Description                           | Group |
|-----|---------------------------------------|-------|
| 1   | Brace, Delcotron Adjusting Link ..... | 2.317 |
| 2   | Washer, Delcotron to Brace .....      | 2.277 |
| 3   | Spacer, Delcotron Bracket .....       | 2.277 |
| 4   | Bracket, Delcotron, Mounting .....    | 2.317 |

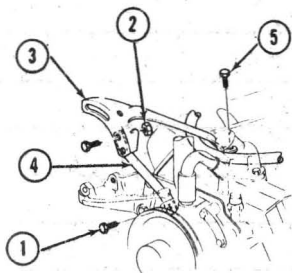
| Key | Description                       | Group |
|-----|-----------------------------------|-------|
| 5   | Delcotron .....                   | 2.275 |
| 6   | Link, Delcotron Adjusting .....   | 2.317 |
| 7   | Strut, Delcotron .....            | 2.277 |
| 8   | Bracket, Delcotron, Support ..... |       |



**1969 DELCOTRON MOUNTING BRACKETS & BRACES**  
 (TYPICAL OF 1970-71)

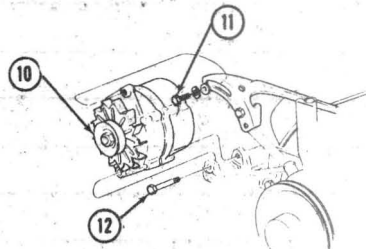
| Key | Description                                       | Group |
|-----|---|-------|
| 1   | Brace, Delcotron Mounting Bracket .....           | 2.317 |
| 2   | Bracket, Delcotron .....                          | 2.317 |
| 3   | Bolt — $\frac{3}{8}$ - 16 x 4 .....               | 8.900 |
| 4   | Switch, Water Temperature .....                   | 1.150 |
| 5   | Bolt — $\frac{3}{8}$ - 18 x 1 .....               | 8.900 |
| 6   | Spacer, Delcotron Bracket .....                   | 2.277 |
| 7   | Bolt — $\frac{3}{8}$ - 16 x 1 $\frac{1}{4}$ ..... | 8.900 |
| 8   | Frame, Stator End — See Delcotron Chart .....     | 2.000 |
| 9   | Frame, Drive End — See Delcotron Chart .....      | 2.000 |
| 10  | Fan, Delcotron — See Delcotron Chart .....        | 2.000 |
| 11  | Pulley, Delcotron — See Belt & Puley Chart .....  | 1.000 |

| Key | Description                                       | Group |
|-----|---|-------|
| 12  | Nut Pulley — See Delcotron Chart .....            | 2.000 |
| 13  | Bolt — $\frac{3}{8}$ - 16 x 3 $\frac{1}{4}$ ..... | 8.900 |
| 14  | Bolt — $\frac{3}{8}$ - 16 x $\frac{3}{4}$ .....   | 8.900 |
| 15  | Link, Delcotron Adjusting .....                   | 2.317 |
| 16  | Strut, Delcotron .....                            | 2.277 |
| 17  | Bolt — $\frac{3}{8}$ - 16 x $\frac{3}{4}$ .....   | 8.900 |
| 18  | Bracket, Delcotron .....                          | 2.317 |
| 19  | Bolt — $\frac{3}{8}$ - 16 x $\frac{3}{4}$ .....   | 8.900 |
| 20  | Brace, Delcotron Mounting Bracket .....           | 2.317 |
| 21  | Bracket, Delcotron .....                          | 2.317 |

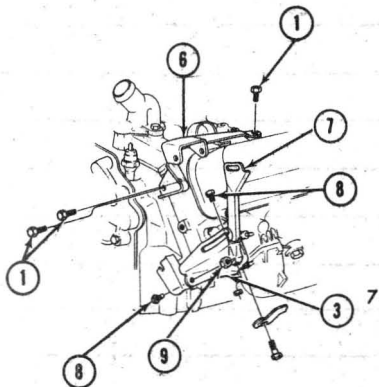


**GENERATOR SUPPORTING PARTS**

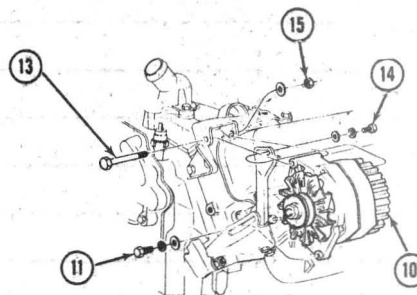
EXC. C.A.C.



**GENERATOR TO BRACKETS**



C.A.C.

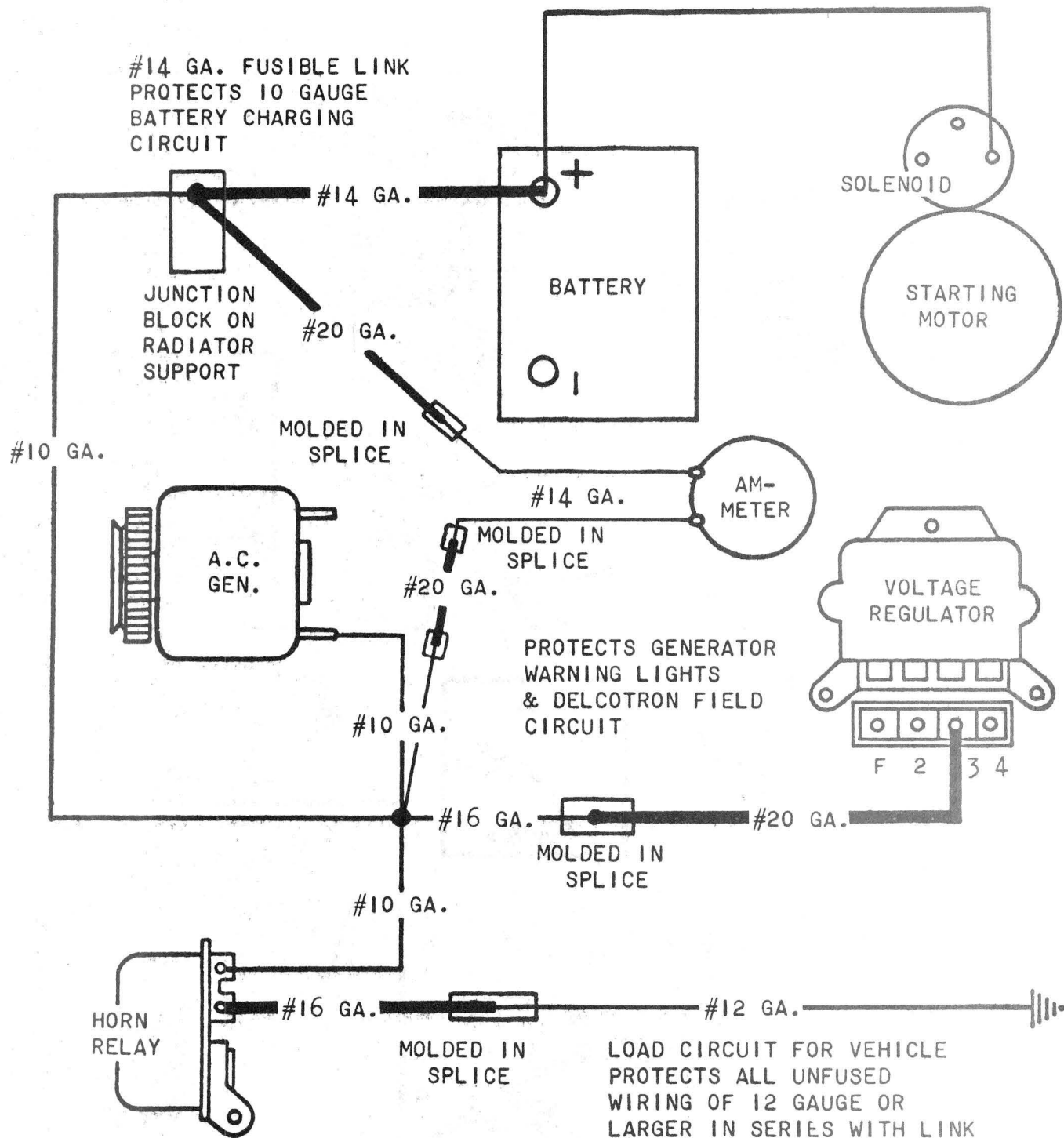


**1972-74 DELCOTRON MOUNTING DETAILS**

| Key | Description                                      | Group |
|-----|--|-------|
| 1   | Bolt — $\frac{9}{16}$ - 16 x $\frac{3}{4}$ ..... | 8.900 |
| 2   | Nut — $\frac{9}{16}$ x 16 .....                  | 8.915 |
| 3   | Link, Delcotron Adjusting .....                  | 2.317 |
| 4   | Strut, Delcotron .....                           | 2.277 |
| 5   | Bolt — $\frac{7}{8}$ - 16 x $\frac{3}{4}$ .....  | 8.900 |
| 6   | Bracket, Delcotron .....                         | 2.317 |
| 7   | Brace, Delcotron Mounting Bracket .....          | 2.317 |
| 8   | Bolt — $\frac{5}{16}$ - 18 x 1 .....             | 8.900 |

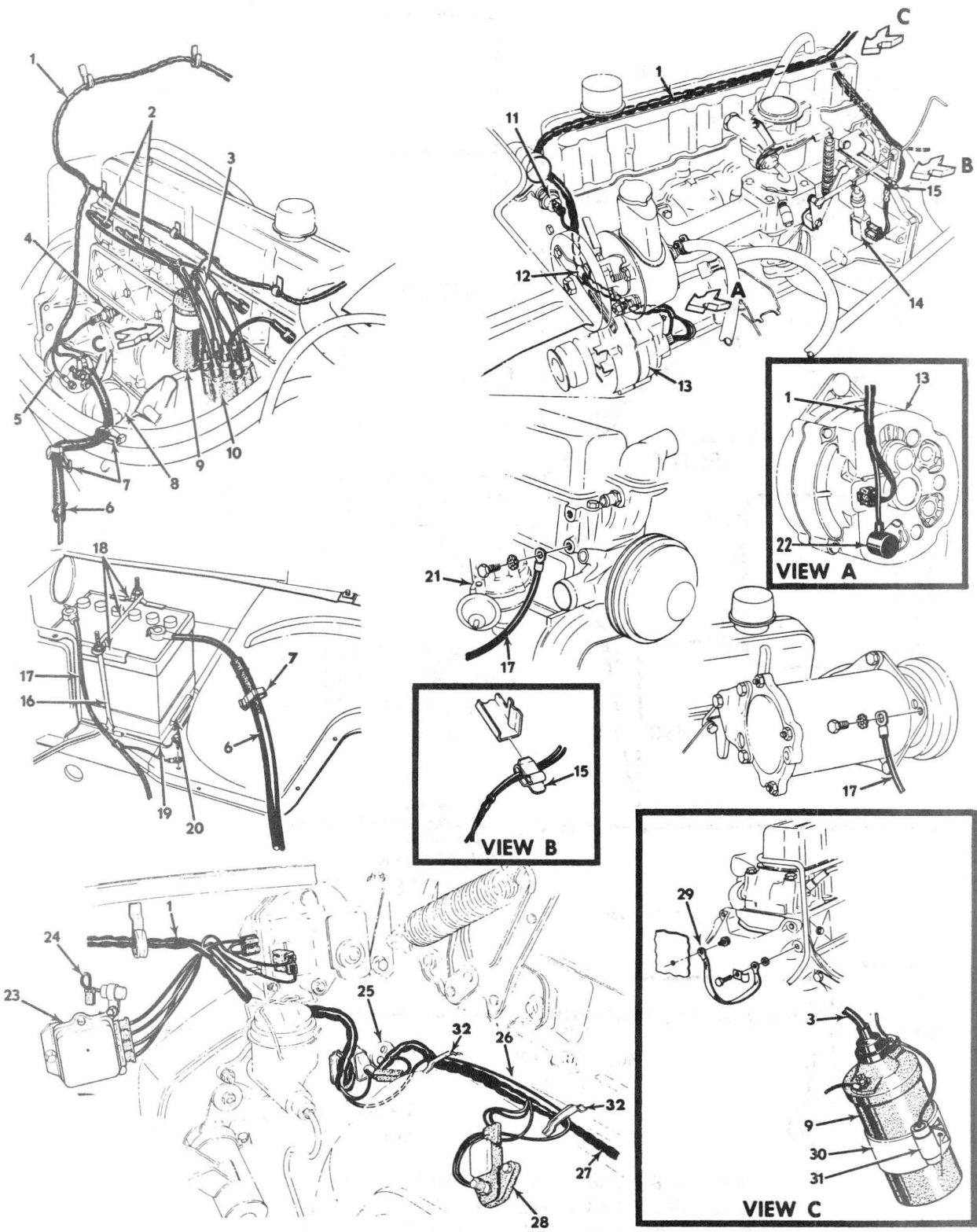
| Key | Description                                       | Group |
|-----|---|-------|
| 9   | Nut — $\frac{5}{16}$ x 18 .....                   | 8.915 |
| 10  | Delcotron Assembly .....                          | 2.275 |
| 11  | Bolt — $\frac{5}{16}$ - 18 x 1 .....              | 8.900 |
| 12  | Bolt — $\frac{9}{16}$ - 16 x $3\frac{1}{4}$ ..... | 8.900 |
| 13  | Bolt — $\frac{3}{8}$ - 16 x $3\frac{1}{8}$ .....  | 8.900 |
| 14  | Bolt — $\frac{5}{16}$ - 18 x 1 .....              | 8.900 |
| 15  | Nut — $\frac{9}{16}$ x 16 .....                   | 8.915 |





- 14 GA FUSIBLE LINK — PART NO. 8903488 /50 FT. ROLL/
- 16 GA. FUSIBLE LINK — PART NO. 6292996 /50 FT. ROLL/
- 20 GA. FUSIBLE LINK — PART NO. 6292997 /50 FT. ROLL/
- 18 GA. FUSIBLE LINK — PART NO. 6293702 /50 FT. ROLL/

## FUSIBLE LINK CIRCUIT

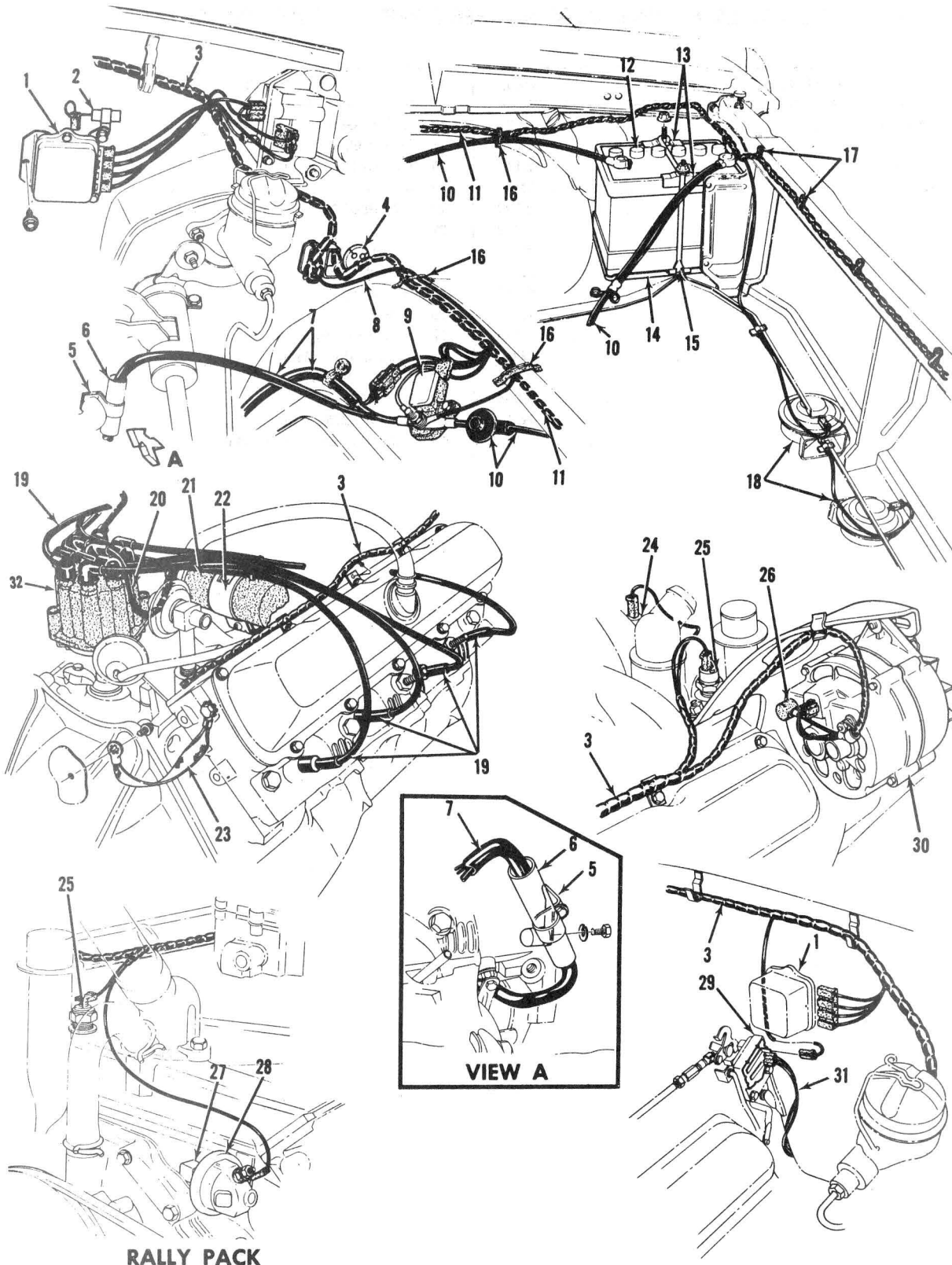


**1966 L6 ENGINE COMPARTMENT WIRING HARNESS DETAILS**  
(TYPICAL OF 1967 1970)



## 1966-70 L6 ENGINE COMPARTMENT WIRING HARNESS DETAILS

| Key | Description             | Group | Key | Description                         | Group |
|-----|-------------------------|-------|-----|-------------------------------------|-------|
| 1   | HARNESS, Main .....     | 2.480 | 17  | CABLE, Ground .....                 | 2.341 |
| 2   | WIRE, Plug .....        | 2.240 | 18  | RETAINER .....                      | 2.335 |
| 3   | WIRE, Coil .....        | 2.171 | 19  | SUPPORT .....                       | 2.333 |
| 4   | SWITCH, Oil .....       | 1.800 | 20  | INSERT .....                        | 2.333 |
| 5   | SWITCH .....            | 2.100 | 21  | DISTRIBUTOR .....                   | 2.361 |
| 6   | CABLE, Positive .....   | 2.342 | 22  | COVER .....                         | 2.313 |
| 7   | CLIP .....              | N.L.  | 23  | REGULATOR .....                     | 2.500 |
| 8   | MOTOR, w/Solenoid ..... | 2.041 | 24  | CONDENSER .....                     | 2.500 |
| 9   | COIL .....              | 2.170 | 25  | GROMMET .....                       | 9.775 |
| 10  | CAP .....               | 2.367 | 26  | CABLE .....                         | N.L.  |
| 11  | SWITCH, Temp. ....      | 1.150 | 27  | HARNESS (Front) .....               | 2.480 |
| 12  | CLIP .....              | N.L.  | 28  | BLOCK, Horn Relay .....             | 2.815 |
| 13  | DELCO TRON .....        | 2.275 | 29  | STRAP (10½") .....                  | 2.341 |
| 14  | SWITCH .....            | 4.054 | 30  | BRACKET .....                       | 2.183 |
| 15  | CLIP .....              | N.L.  | 31  | CONDENSER, Coil .....               | 9.663 |
| 16  | BOLT .....              | 2.334 | 32  | CLIP, Harness to Filler Plate ..... | 2.482 |

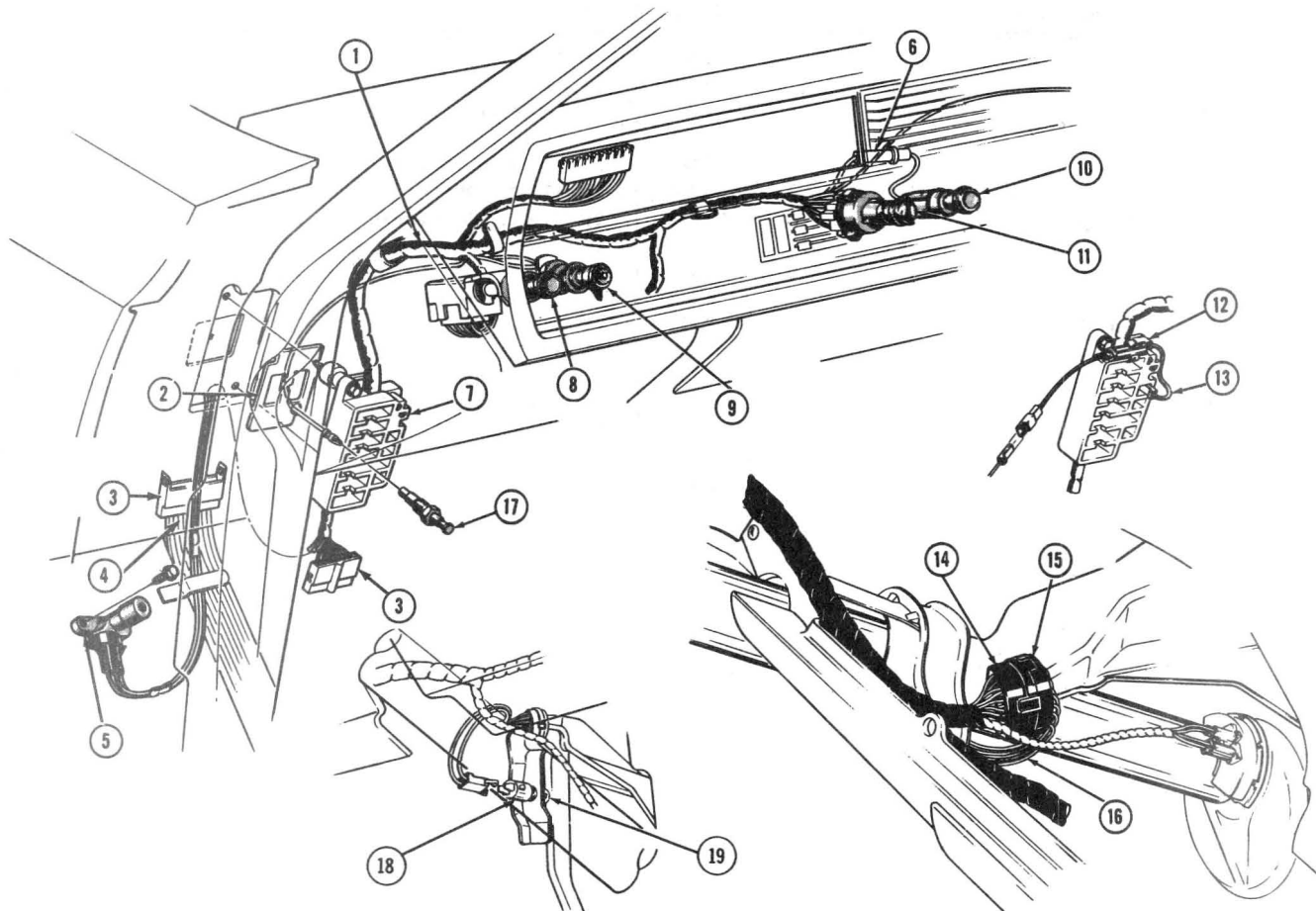


1966 V8 ENGINE COMPARTMENT WIRING HARNESS DETAILS  
(TYPICAL OF 1967 THRU 1970)

## 1966-70 V8 ENGINE COMPARTMENT WIRING HARNESS DETAILS

| Key | Description                     | Group |
|-----|---------------------------------|-------|
| 1   | REGULATOR .....                 | 2.500 |
| 2   | CONDENSER .....                 | 2.500 |
| 3   | HARNESS, Main .....             | 2.480 |
| 4   | GROMMET .....                   | 9.775 |
| 5   | CLAMP .....                     | 2.343 |
| 6   | TUBE .....                      | 2.343 |
| 7   | CABLE, Jnct. to Starter .....   | 2.342 |
| 8   | CABLE .....                     | N.L.  |
| 9   | BLOCK, Horn Relay .....         | 2.815 |
| 10  | CABLE, Positive .....           | 2.342 |
| 11  | HARNESS (Front) .....           | 2.480 |
| 12  | CAP, Vent. .....                | 2.345 |
| 13  | RETAINER .....                  | 2.335 |
| 14  | SUPPORT .....                   | 2.333 |
| 15  | BOLT .....                      | 2.334 |
| 16  | CLIP (2 $\frac{3}{8}$ "') ..... | 2.559 |
| 17  | CLIP (1 $\frac{3}{4}$ "') ..... | 2.559 |

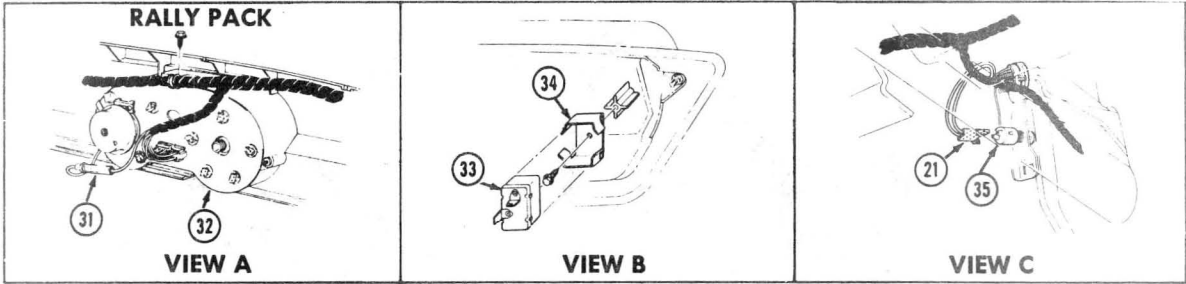
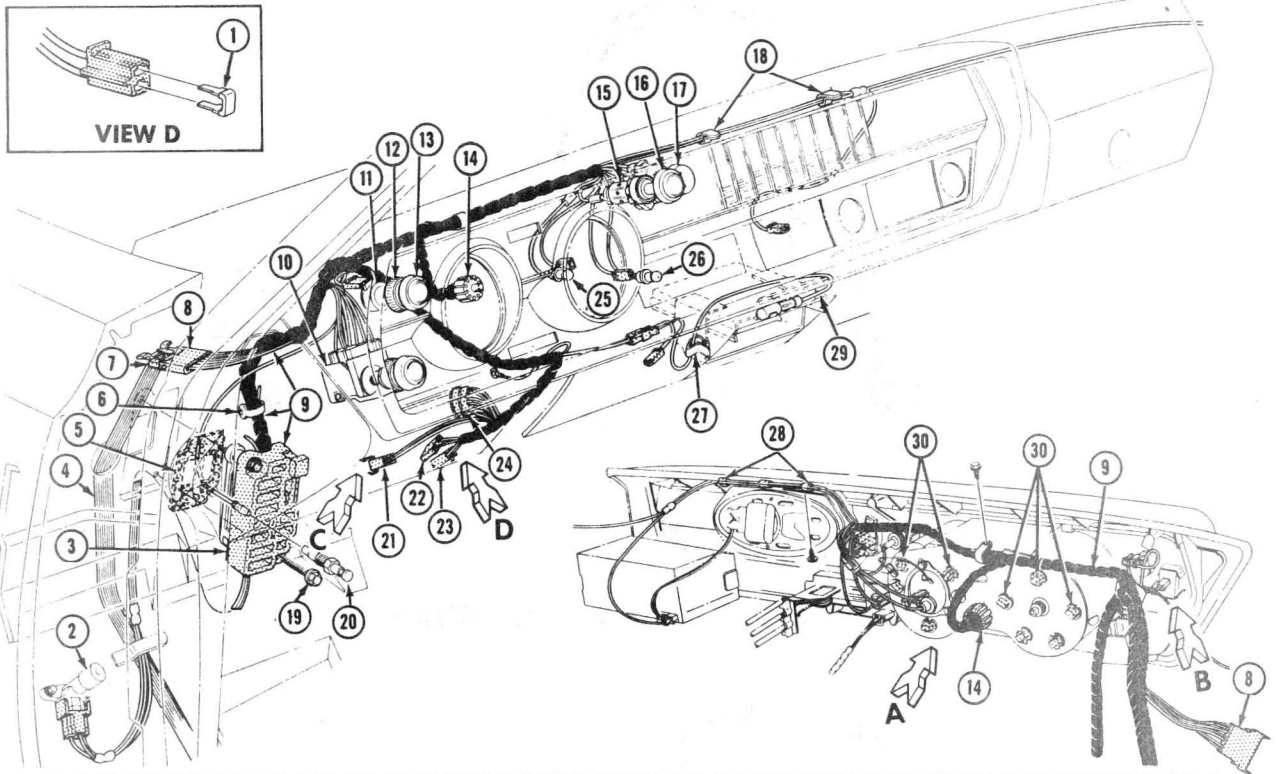
| Key | Description                       | Group |
|-----|-----------------------------------|-------|
| 18  | HORN .....                        | 2.810 |
| 19  | WIRE, Plug .....                  | 2.240 |
| 20  | WIRE, Coil .....                  | 2.171 |
| 21  | COIL .....                        | 2.170 |
| 22  | BRACKET, Coil Mtg. .....          | 2.183 |
| 23  | STRAP (10 $\frac{1}{2}$ "') ..... | 2.341 |
| 24  | SWITCH, Oil Pressure .....        | 1.800 |
| 25  | SWITCH, Temp. .....               | 1.150 |
| 26  | COVER .....                       | 2.313 |
| 27  | ELBOW, Trans. to Block .....      | 1.800 |
| 28  | TRANSDUCER .....                  | 1.800 |
| 29  | SWITCH .....                      | 4.054 |
| 30  | DELCOTRON .....                   | 2.275 |
| 31  | CABLE, Switch to Trans. .....     | 4.057 |
| 32  | DISTRIBUTOR .....                 | 2.361 |
|     | CAP .....                         | 2.367 |



### 1964 V-6 INSTRUMENT PANEL WIRING

| Key | Description  | Group  |
|-----|--|--------|
| 1   | Harness, Instrument Panel Wiring .....             | 2.480  |
| 2   | Gasket, Instrument Panel Main Wiring Harness ..... | 2.483  |
| 3   | Connector, Wiring Harness .....                    | 13.100 |
| 4   | Harness, Body Wiring—Front .....                   | 13.090 |
| 5   | Switch, Headlamp Dimmer .....                      | 2.459  |
| 6   | Fuse .....   | S.S.   |
| 7   | Block, Fuse .....                                  | 2.483  |
| 8   | Switch, Headlamp .....                             | 2.485  |
| 9   | Switch, Windshield Wiper .....                     | 10.163 |
| 10  | Case, Cigarette Lighter .....                      | 9.709  |

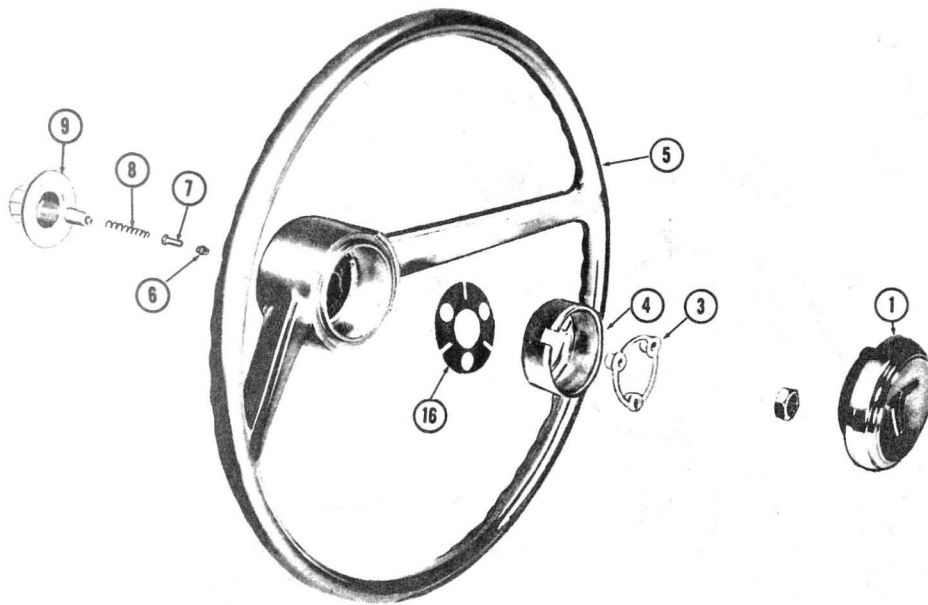
| Key | Description  | Group  |
|-----|--|--------|
| 11  | Switch, Ignition and Starting .....  | 2.189  |
| 12  | Clip, Power Antenna, Heater, Electric Windows,<br>Electric Clock, Fuse ..... | 2.483  |
| 13  | Cable, Power Window Control Feed .....                                       | 13.090 |
| 14  | Connector, Wiring—Male .....   | 2.530  |
| 15  | Connector, Wiring—Female .....   | 2.530  |
| 16  | Switch Plate and Wiring, Direction Signal .....                              | 2.895  |
| 17  | Switch, Door Jamb .....  | 11.950 |
| 18  | Switch, Stop Lamp .....  | 2.447  |
| 19  | Clip, Stop Light Switch to Bracket .....                                     | 2.447  |



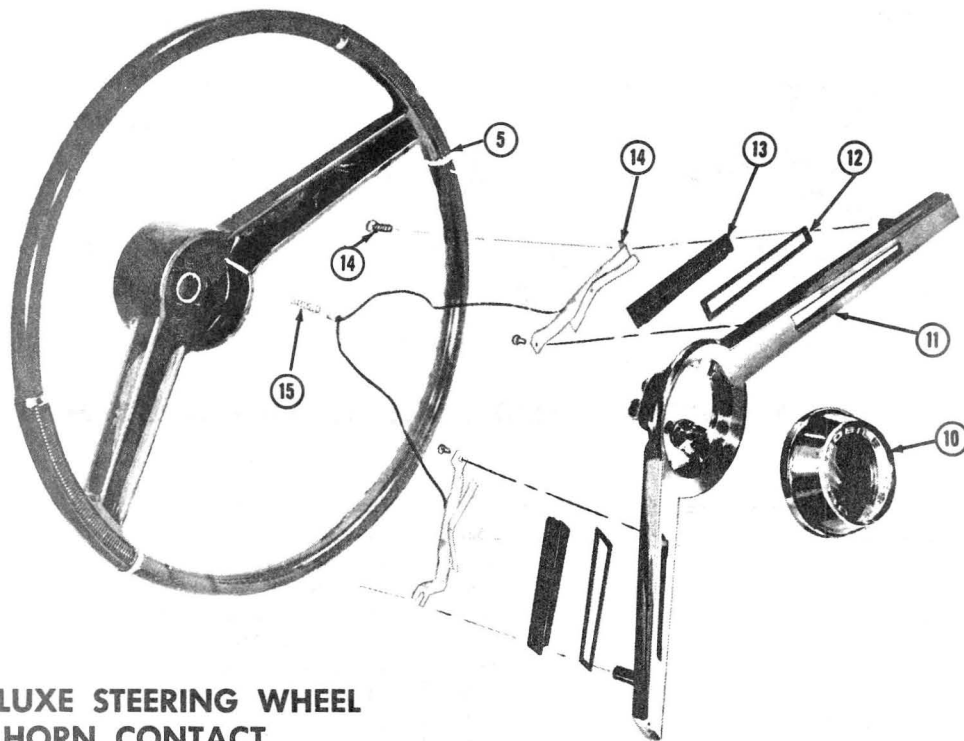
**1966 & 1967 INSTRUMENT PANEL WIRING HARNESS DETAILS**

| Key | Description                  | Group  |
|-----|------------------------------|--------|
| 1   | TERMINAL, Solenoid .....     | 2.530  |
| 2   | SWITCH, Dimmer .....         | 2.459  |
| 3   | BLOCK, Fuse .....            | 2.483  |
| 4   | HARNESS (Front) .....        | 13.090 |
| 5   | GASKET .....                 | N.L.   |
| 6   | STRAP .....                  | 2.559  |
| 7   | CONN. (7 Wire-Male) .....    | 13.100 |
| 8   | CONN. (7 Wire-Female) .....  | 2.530  |
| 9   | HARNESS, Inst. Panel .....   | 2.480  |
| 10  | CONTROL .....                | 2.486  |
| 11  | SWITCH .....                 | 10.163 |
| 12  | ESCUTCHEON .....             | 10.166 |
| 13  | KNOB .....                   | 10.164 |
| 14  | CONN. (11 Wire-Female) ..... | 2.530  |
| 15  | CASE .....                   | 9.709  |
| 16  | ELEMENT .....                | 9.709  |
|     | KNOB (w/Element) .....       | 9.709  |
| 17  | SWITCH .....                 | 2.188  |
|     | ESCUTCHEON .....             | 2.198  |

| Key | Description                   | Group  |
|-----|-------------------------------|--------|
| 18  | CLIP .....                    | 2.559  |
| 19  | SCREW (10-16 x 1 3/4") .....  | N.L.   |
| 20  | SWITCH .....                  | 11.950 |
| 21  | CONN. (Stop Lamp) .....       | 2.530  |
| 22  | CONN. (B-U Lamp) .....        | 2.530  |
| 23  | CONN. (Neutral Starter) ..... | 2.530  |
| 24  | CONN. (Main to T.S.) .....    | 2.530  |
| 25  | BULB (Type 1816) .....        | 8.991  |
| 26  | BULB (Type 1445) .....        | 8.991  |
| 27  | CLIP .....                    | 12.964 |
| 28  | CLIP .....                    | 2.559  |
| 29  | CABLE .....                   | 12.012 |
|     | BULB (Type 1445) .....        | 8.991  |
| 30  | SOCKET .....                  | 9.744  |
| 31  | FUSE (2 Amp.) .....           | 8.965  |
| 32  | PLATE .....                   | 9.744  |
| 33  | FLASHER .....                 | 2.892  |
| 34  | CLIP .....                    | 2.892  |
| 35  | SWITCH .....                  | 2.447  |



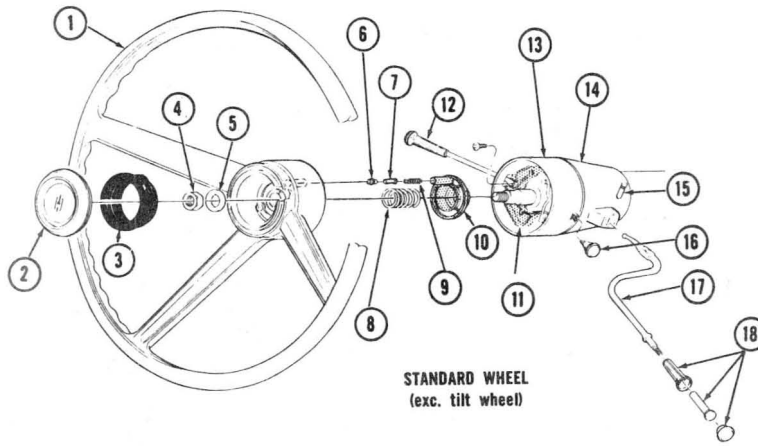
**1964 STANDARD STEERING WHEEL AND HORN CONTACT**



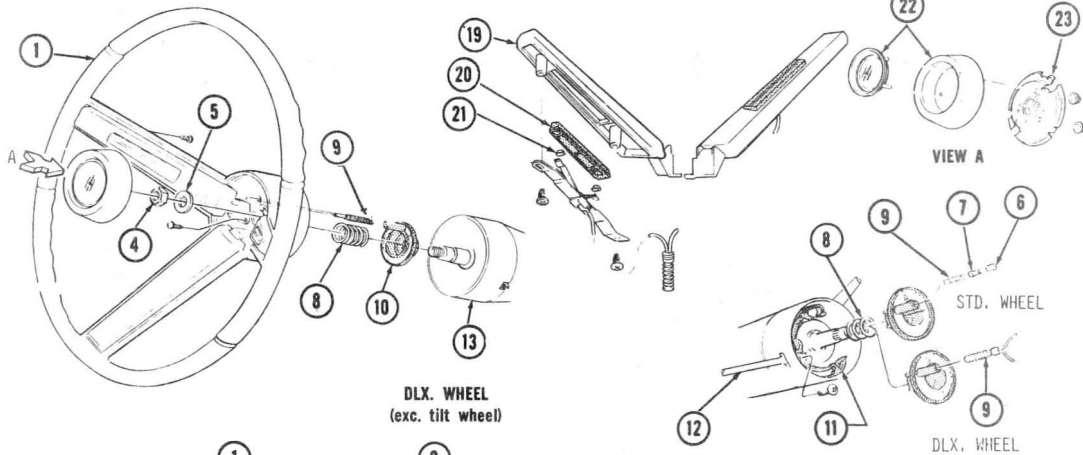
**1964-65 DELUXE STEERING WHEEL AND HORN CONTACT**

| Key | Description  | Group |
|-----|--|-------|
| 1   | Cap, Horn Button .....                               | 2.820 |
| 3   | Bushing Steering Wheel Horn Button Cap Adapter ....  | 2.819 |
| 5   | Wheel, Steering .....                                | 6.513 |
| 6   | Insulator, Steering Wheel Horn Contact .....         | 2.819 |
| 7   | Eyelet, Horn Blowing Contact .....                   |       |
| 8   | Spring, Direction Signal Switch Horn Brush—Coil .... | 2.896 |

| Key | Description                               | Group |
|-----|---|-------|
| 9   | Cam, Direction Signal Cancelling .....    | 2.896 |
| 10  | Emblem, Steering Wheel .....              | 2.820 |
| 11  | Shroud, Steering Wheel .....              | 6.512 |
| 12  | Gasket, Horn Button .....                 | 2.820 |
| 13  | Button, Steering Wheel .....              | 2.820 |
| 14  | Contact, Horn .....                       |       |
| 15  | Spring, Steering Wheel Horn Contact ..... | 2.819 |
| 16  | Spring, Horn Blowing .....                | 2.819 |

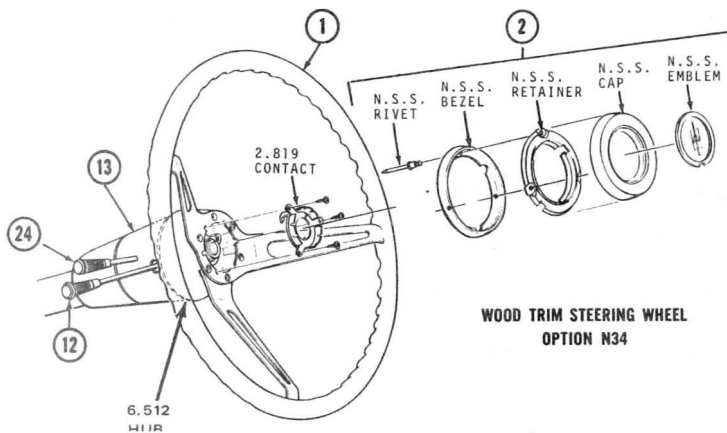


**STANDARD WHEEL**  
 (exc. tilt wheel)



**DLX. WHEEL**  
 (exc. tilt wheel)

**TURN SIGNAL CANCELING CAM INSTALLATION**

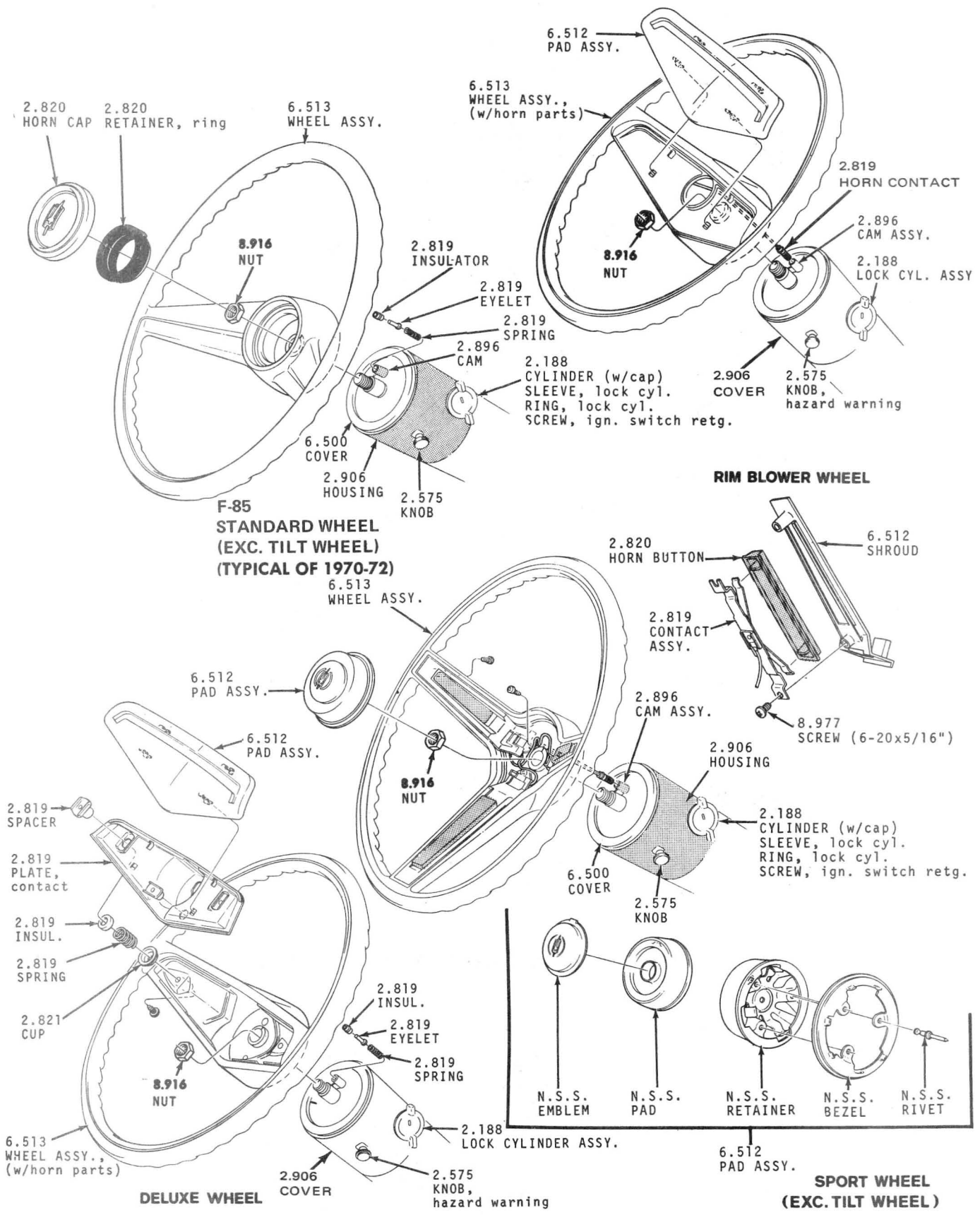


**WOOD TRIM STEERING WHEEL**  
 OPTION N34

**1968 STD. & DLX. STEERING WHEEL DETAILS**

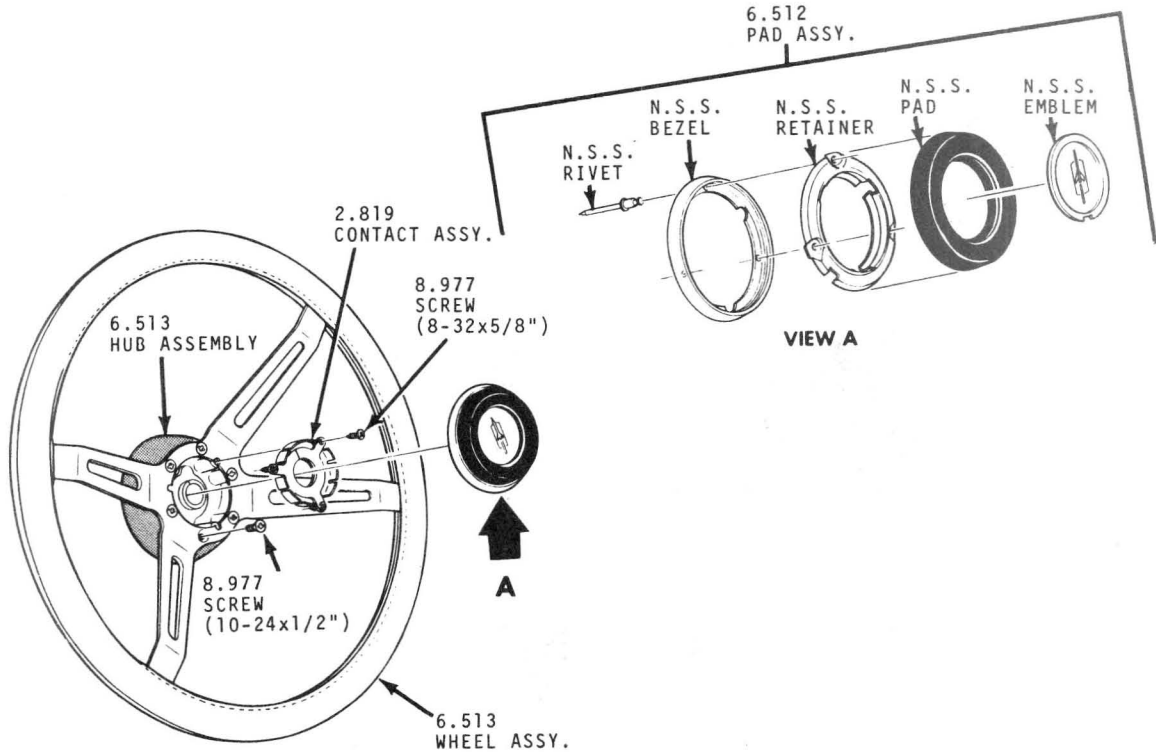
| Key | Description   | Group |
|-----|---|-------|
| 1   | Wheel Assembly, Steering .....                            | 6.513 |
| 2   | Cap, Horn Button .....                                    | 2.820 |
| 3   | Ring, Horn Retainer .....                                 | 2.821 |
| 4   | Nut, Steering Wheel To Steering Shaft .....               | 8.916 |
| 5   | Washer, Upper Steering Shaft .....                        | 8.929 |
| 6   | Insulator, Steering Wheel Horn Contact .....              | 2.819 |
| 7   | Eyelet, Horn Blowing Contact .....                        | 2.819 |
| 8   | Spring, Steering Column Steering Shaft Lower Bearing .... | 6.521 |
| 9   | Spring, Horn Blowing .....                                | 2.819 |
| 10  | Cam, Direction Signal Cancelling .....                    | 2.896 |
| 11  | Switch, Direction Signal Control .....                    | 2.895 |
| 12  | Lever, Turn Signal .....                                  | 2.897 |

| Key | Description                                      | Group |
|-----|--|-------|
| 13  | Housing, Directional Signal Control Switch ..... | 2.906 |
| 14  | Bowl, Transmission Gearshift Lever .....         | 4.010 |
| 15  | Pin, Transmission Control Lever .....            | 4.008 |
| 16  | Knob, Hazard Warning .....                       | 2.575 |
| 17  | Lever, Transmission Shift .....                  | 4.006 |
| 18  | Knob, Transmission Control Lever .....           | 4.006 |
| 19  | Pad, Deluxe Steering Wheel .....                 | 6.512 |
| 20  | Button, Horn Steering Wheel .....                | 2.820 |
| 21  | Pivot, Horn Switch Insulator .....               | 2.819 |
| 22  | Emblem, Deluxe Steering Wheel .....              | 2.820 |
| 23  | Retainer, Deluxe Steering Wheel Emblem Pad ..... | 2.820 |
| 24  | Lever, Tilt Wheel Release .....                  | 6.514 |

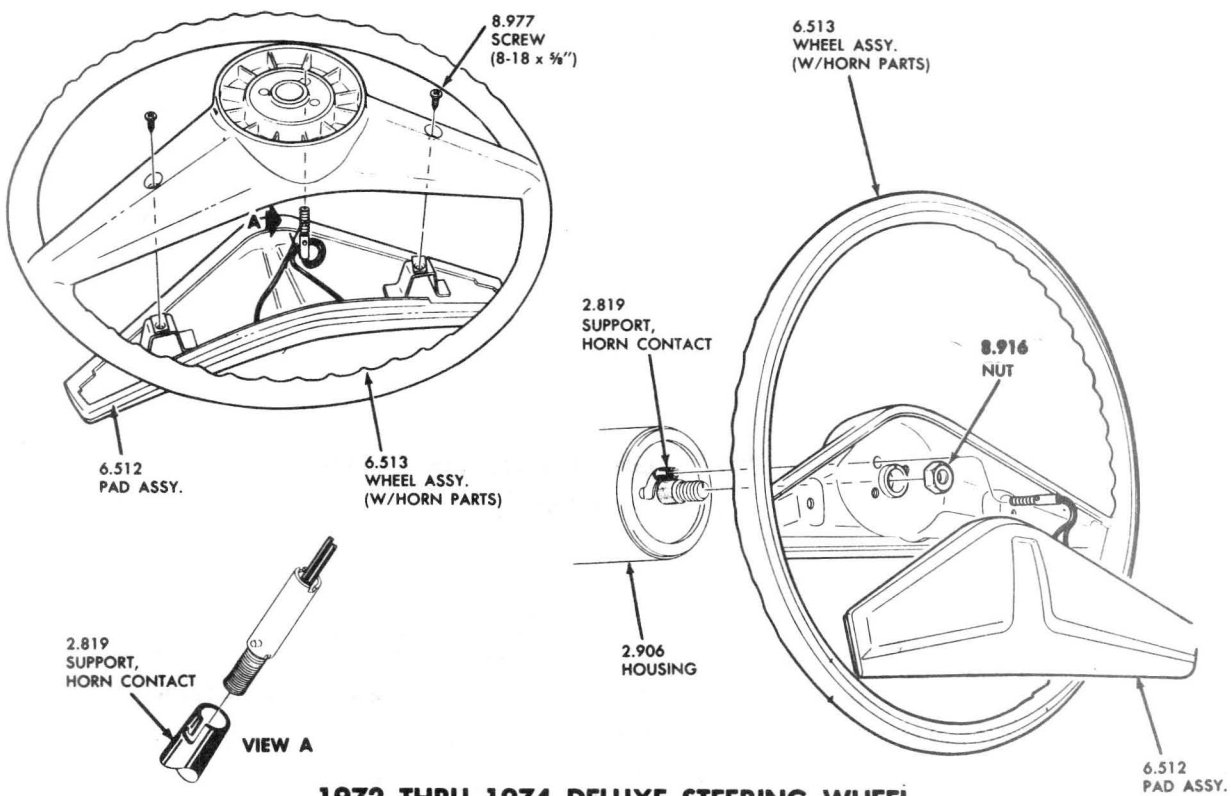


**1969 STD., DLX., RIM BLOWER, & SPORT STEERING WHEEL DETAILS**  
(TYPICAL OF 1970-71)  
GROUP 2.000 ILLUSTRATION 14

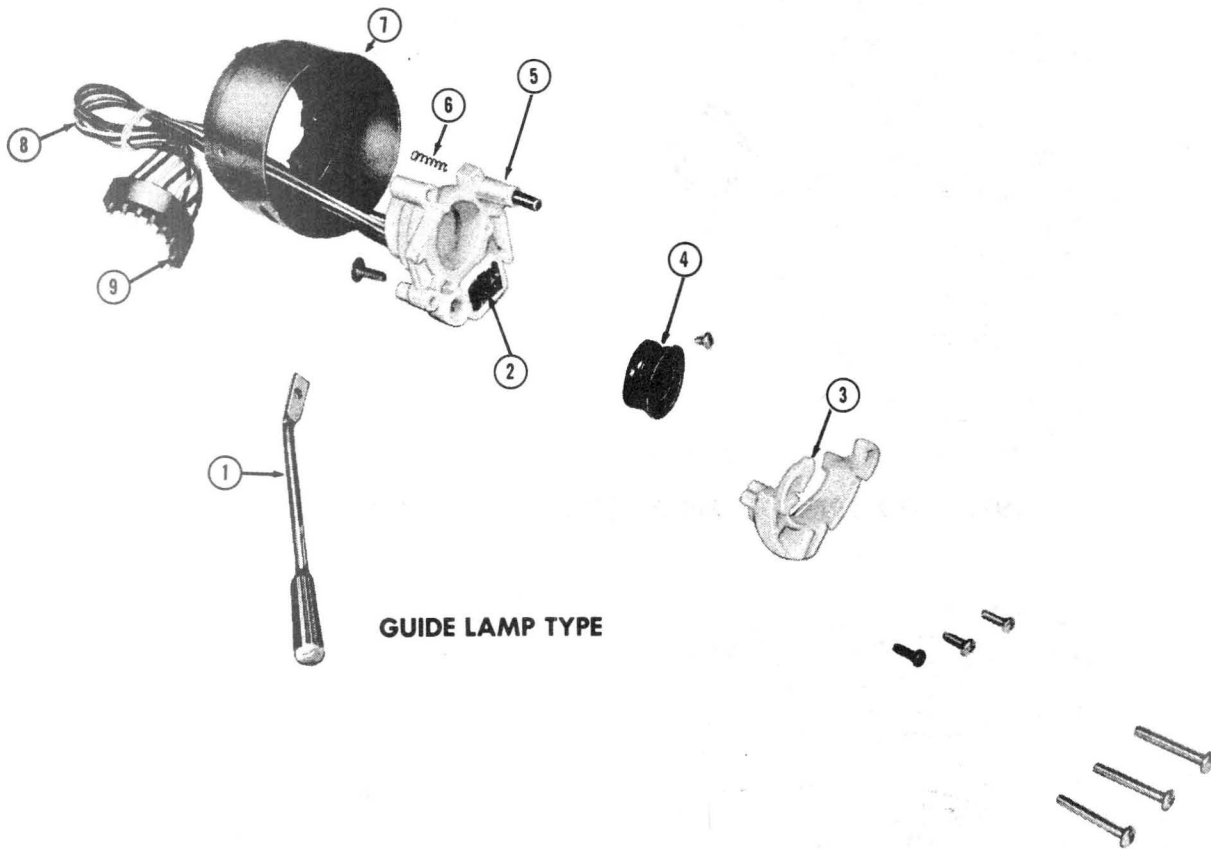




**1970 THRU 1974 F85 SPORT STEERING WHEEL DETAILS**



**1972 THRU 1974 DELUXE STEERING WHEEL**

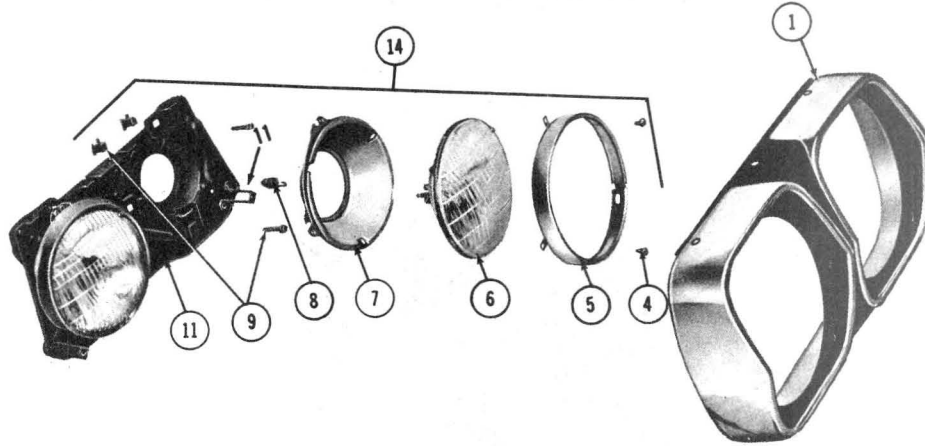


**1964 TURN SIGNAL SWITCH DETAIL  
(Guide Lamp Type)**

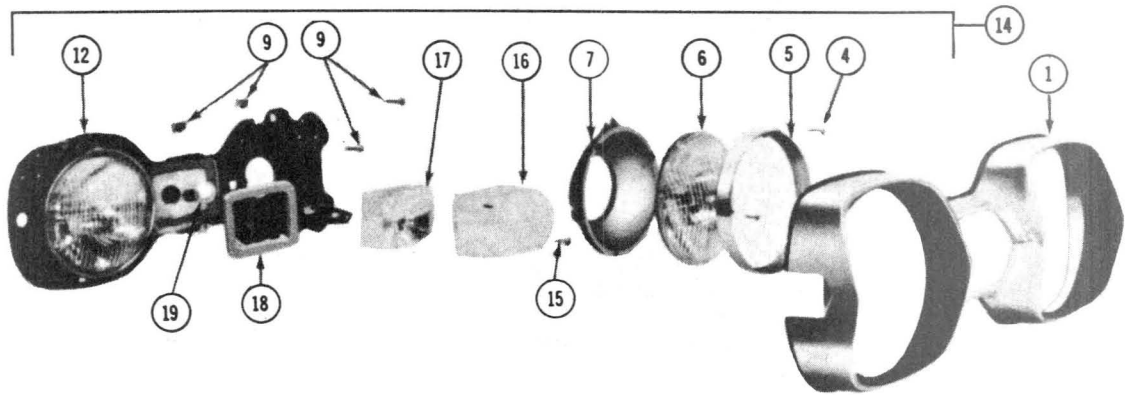
| Key | Description  | Group |
|-----|--|-------|
| 1   | Lever, Turn Signal .....                               | 2.897 |
| 2   | Spring, Direction Signal Control Switch .....          | 2.895 |
| 3   | Plate, Direction Signal Control Switch .....           | 2.895 |
| 4   | Bearing, Steering Shaft Upper—Directional Signal ..... | 2.895 |
| 5   | Cam Directional Signal Cancelling .....                | 2.896 |

| Key | Description  | Group |
|-----|--|-------|
| 6   | Spring, Directional Signal Switch Horn Brush .....   | 2.896 |
| 7   | Housing, Direction Signal Control Switch .....       | 2.906 |
| 8   | Connector, Wiring .....                              | 2.530 |
| 9   | Connector, Wiring—Part of Front Extension Harness .. | 2.530 |

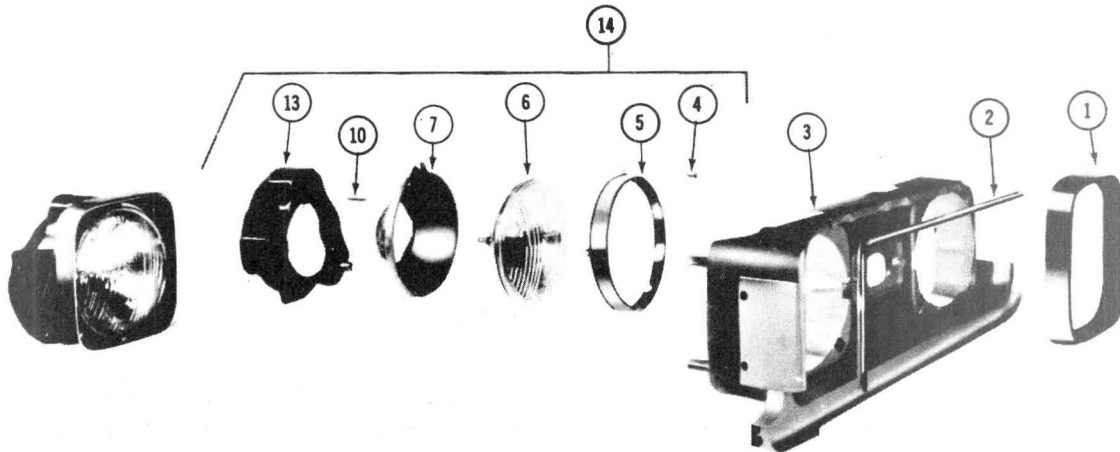
1966



1967



1968



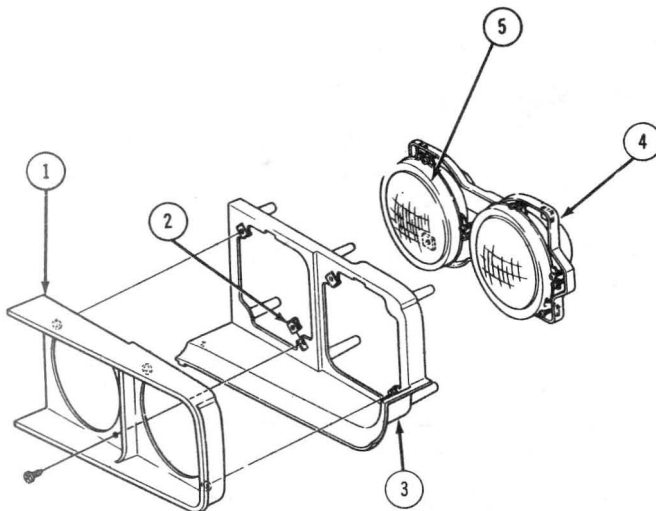
**1966-68 HEADLAMP ASSEMBLIES**

| Key | Description                               | Group |
|-----|---|-------|
| 1   | Door, Headlamp .....                      | 2.728 |
| 2   | Moulding Package, Headlamp Support .....  | 2.728 |
| 3   | Support, Headlamp Mounting .....          | 2.720 |
| 4   | Screw, Headlamp Retaining Ring .....      | 2.736 |
| 5   | Ring, Headlamp Retaining .....            | 2.731 |
| 6   | Sealed Beam, Headlamp .....               | 2.727 |
| 7   | Ring, Headlamp Sealed Beam Mounting ..... | 2.726 |
| 8   | Ring, Headlamp Ring Tension .....         | 2.726 |
| 9   | Nut and Screw, Headlamp .....             | 2.737 |
| 10  | Screw .....                               | N.L.  |

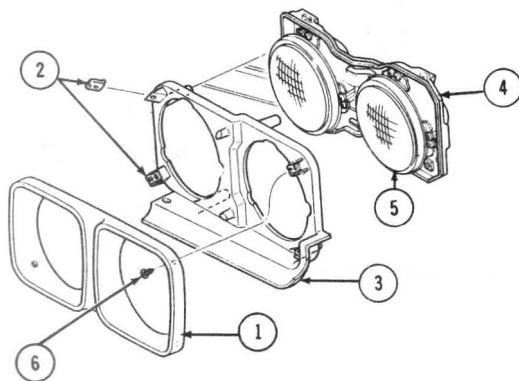
| Key | Description   | Group  |
|-----|---|--------|
| 11  | Housing, Headlamp .....                             | 2.726  |
| 12  | Body Assembly, Head and Parking Lamp .....          | 2.726  |
| 13  | Support .....                                       | N.S.S. |
| 14  | Headlamp .....                                      | 2.725  |
| 15  | Screw, Parking and Turn Signal Lamp .....           | 2.594  |
| 16  | Lens, Parking and Direction Signal Lamp—Outer ..... | 2.589  |
| 17  | Lens, Parking and Direction Signal Lamp—Inner ..... | 2.589  |
| 18  | Gasket, Parking and Turn Signal Lens .....          | 2.590  |
| 19  | Bulb #1157 .....                                    | 8.991  |



1969



1970

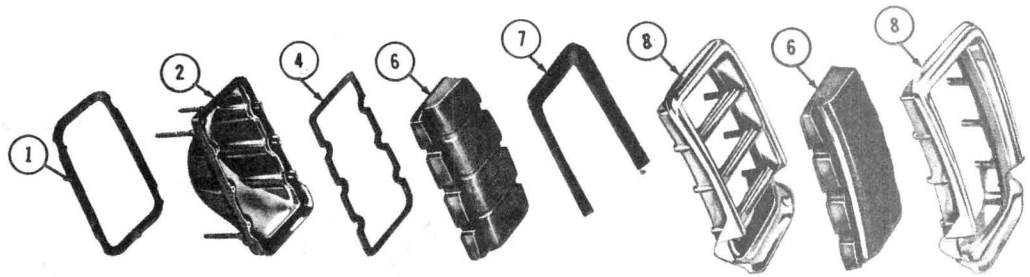


**HEADLAMP ASSEMBLIES**

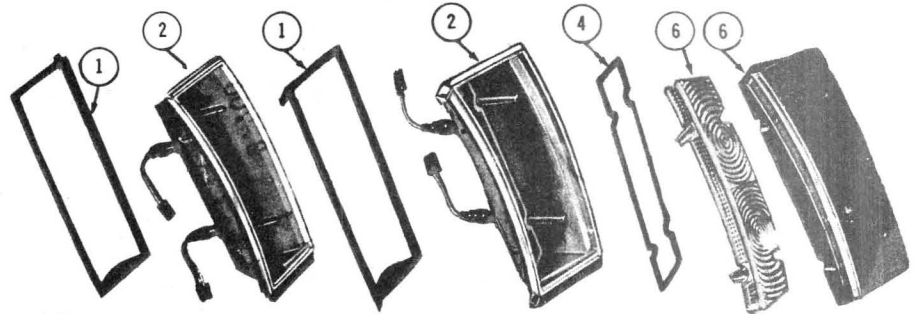
| KEY | DESCRIPTION       | GROUP |
|-----|-------------------|-------|
| 1   | DOOR, HEADLAMP    | 2.728 |
| 2   | NUT               | 2.729 |
| 3   | HOUSING, HEADLAMP | 2.726 |

| KEY | DESCRIPTION    | GROUP |
|-----|----------------|-------|
| 4   | HEADLAMP ASSY. | 2.725 |
| 5   | SEALED BEAM    | 2.727 |
| 6   | SCREW          | 8.977 |

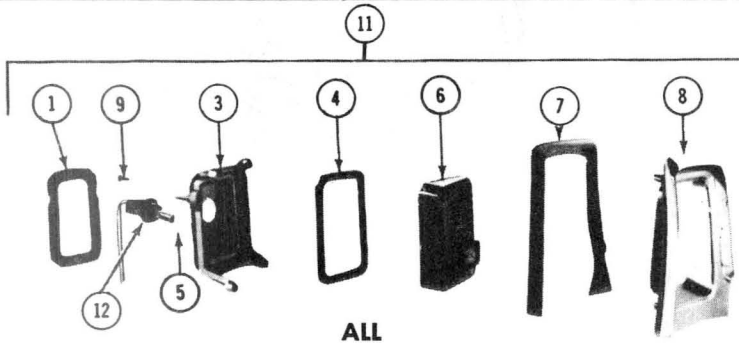
EXC. WAGONS



WAGONS

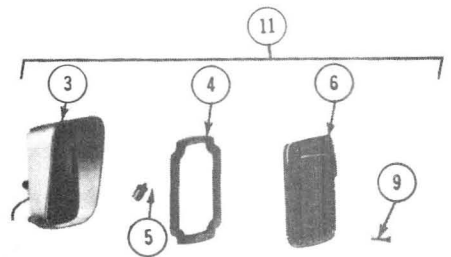


1966

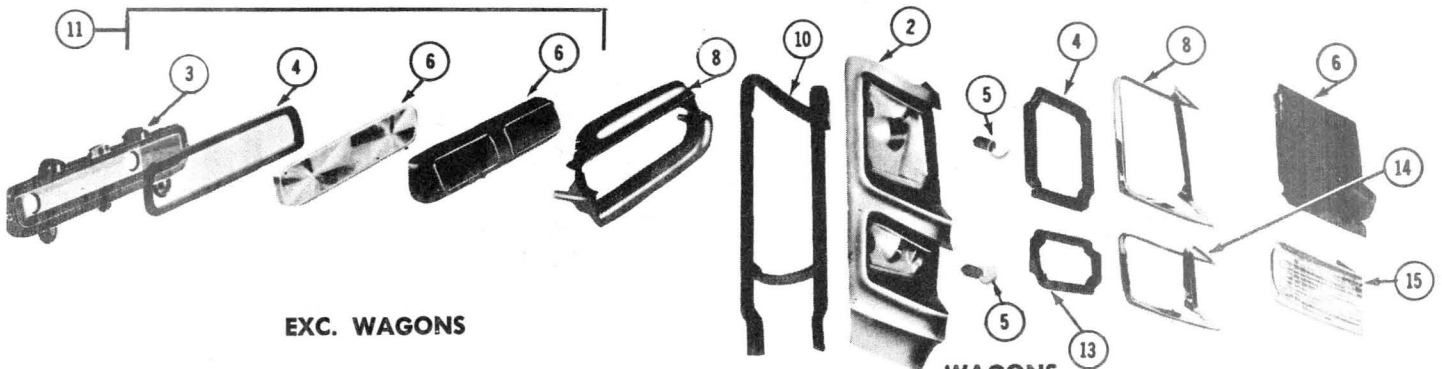


ALL

1967



CUTLASS SUPREME-LOWER



EXC. WAGONS

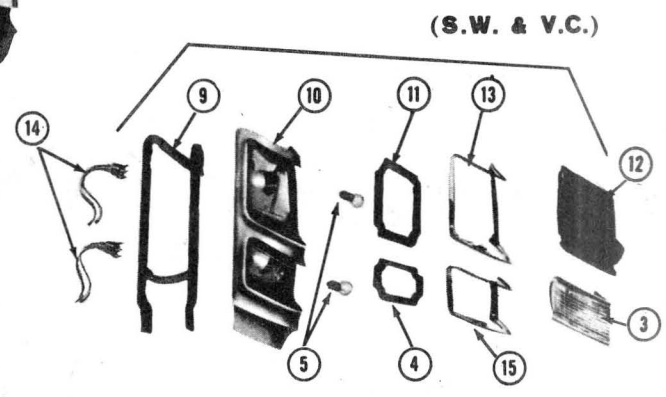
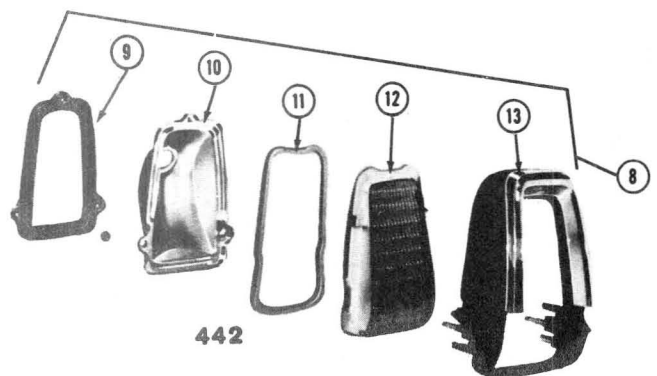
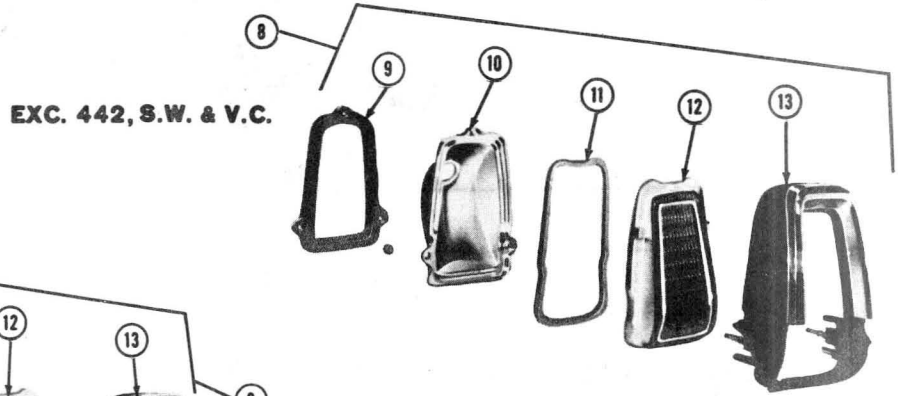
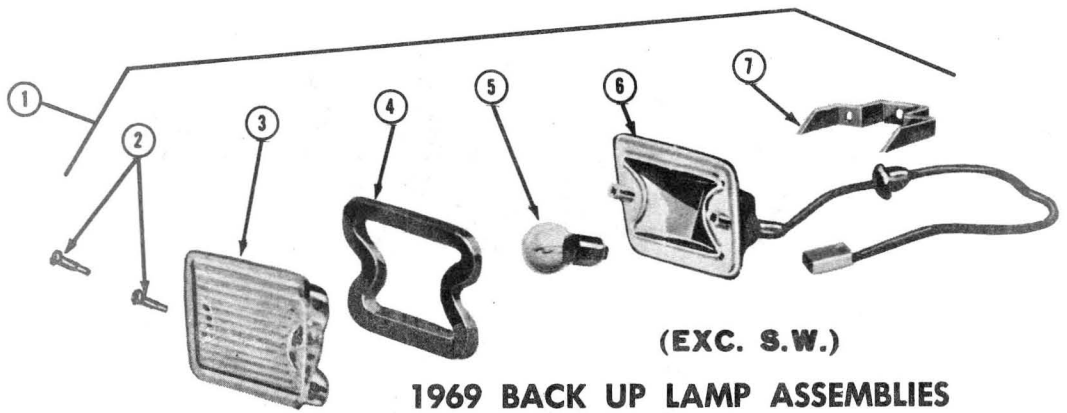
WAGONS

1968

**1966-68 STOP AND TAIL LAMPS**

| Key | Description                                      | Group  |
|-----|--|--------|
| 1   | Gasket, Tail and Stop Lamp Mounting .....        | 2.660  |
| 2   | Housing, Stop and Tail Lamp .....                | 2.680  |
| 3   | Housing .....                                    | N.S.S. |
| 4   | Gasket, Tail and Stop Lamp Lens .....            | 2.684  |
| 5   | Bulb .....                                       | 8.991  |
| 6   | Lens, Tail and Stop Lamp .....                   | 2.682  |
| 7   | Gasket, Stop and Tail Lamp Housing or Bezel..... | 2.660  |
| 8   | Bezel, Tail and Stop Lamp .....                  | 2.681  |

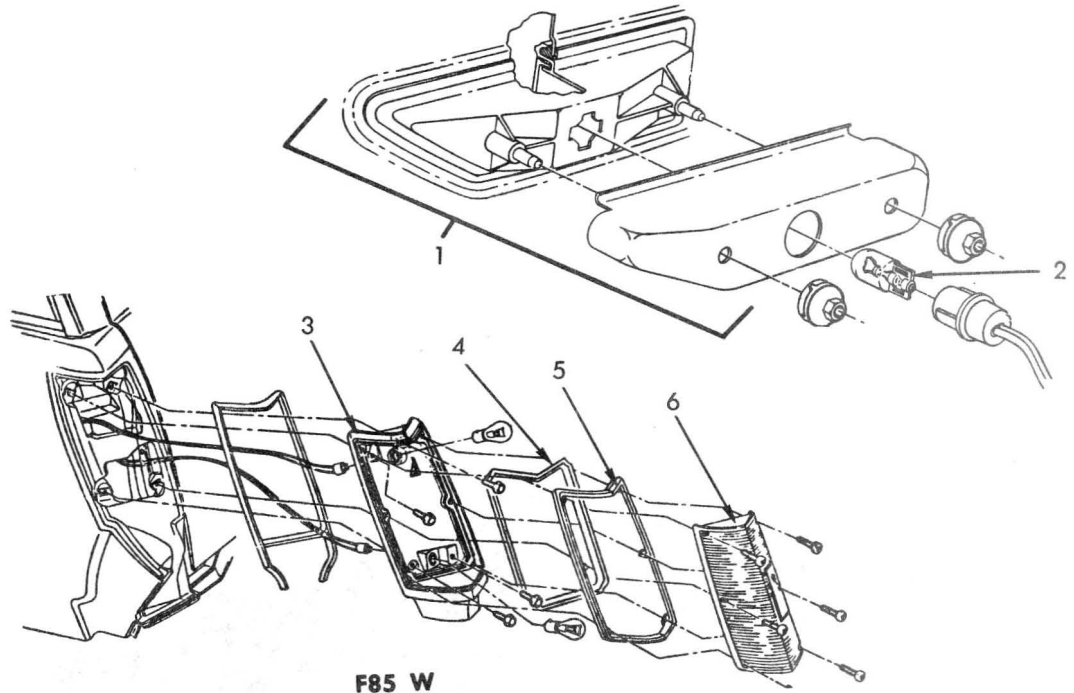
| Key | Description                                    | Group |
|-----|--|-------|
| 9   | Screw, Stop and Tail Lamp Lens Retaining ..... | 2.688 |
| 10  | Gasket .....                                   | N.L.  |
| 11  | Lamp Assembly, Stop and Tail .....             | 2.679 |
| 12  | Socket and Wire, Stop and Tail Lamp .....      | 2.694 |
| 13  | Gasket, Back Up Lens to Housing .....          | 2.697 |
| 14  | Bezel, Back Up Lamp .....                      | 2.697 |
| 15  | Lens, Back Up Lamp .....                       | 2.697 |



**1969 STOP & TAIL LAMP ASSEMBLIES**

| Key | Description                           | Group  |
|-----|---------------------------------------|--------|
| 1   | Lamp, Back Up — Complete .....        | 2.697  |
| 2   | Screw, Lamps .....                    | 2.697  |
| 3   | Lens, Back Up Lamp .....              | 2.697  |
| 4   | Gasket, Back Up Lens To Housing ..... | 2.697  |
| 5   | Bulb, Back Up Lamp .....              | 8.991  |
| 6   | Housing, Back Up Lamp .....           | N.S.S. |
| 7   | Bracket, Back Up Lamp .....           | 2.697  |

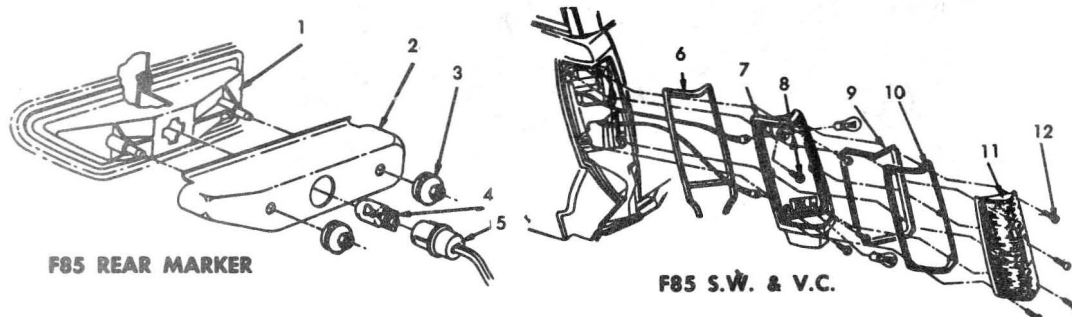
| Key | Description  | Group |
|-----|--|-------|
| 8   | Lamp Assembly, Stop and Tail — Complete .....          | 2.679 |
| 9   | Gasket, Tail and Stop Lamp Mounting .....              | 2.660 |
| 10  | Housing, Stop and Tail Lamp — N.S.S. Exc. Wagons ..... | 2.680 |
| 11  | Gasket, Tail and Stop Lamp Lens .....                  | 2.684 |
| 12  | Lens, Tail and Stop Lamp .....                         | 2.682 |
| 13  | Bezel, Tail and Stop Lamp .....                        | 2.681 |
| 14  | Socket and Wire, Stop and Tail Lamp .....              | 2.694 |
| 15  | Bezel, Back Up Lamp .....                              | 2.697 |



**F85 W**

**1970 LAMP ASSEMBLY DETAILS**

| KEY | DESCRIPTION            | PART NO.     |
|-----|------------------------|--------------|
| 1   | SIDE MARKER LAMP ..... | 2.575        |
| 2   | BULB .....             | 8.991 (S.S.) |
| 3   | HOUSING .....          | 2.680        |
| 4   | GASKET .....           | 2.684        |
| 5   | BEZEL .....            | 2.681        |
| 6   | LENS .....             | 2.682        |



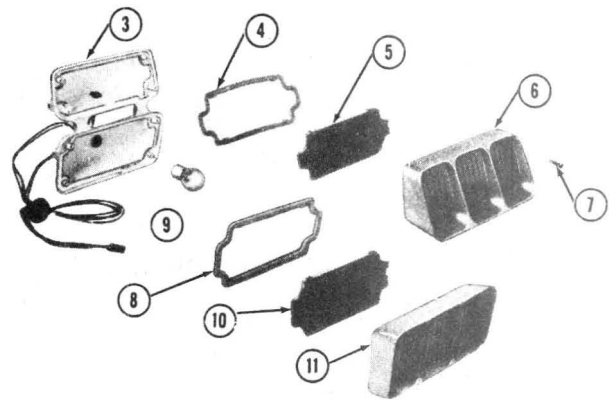
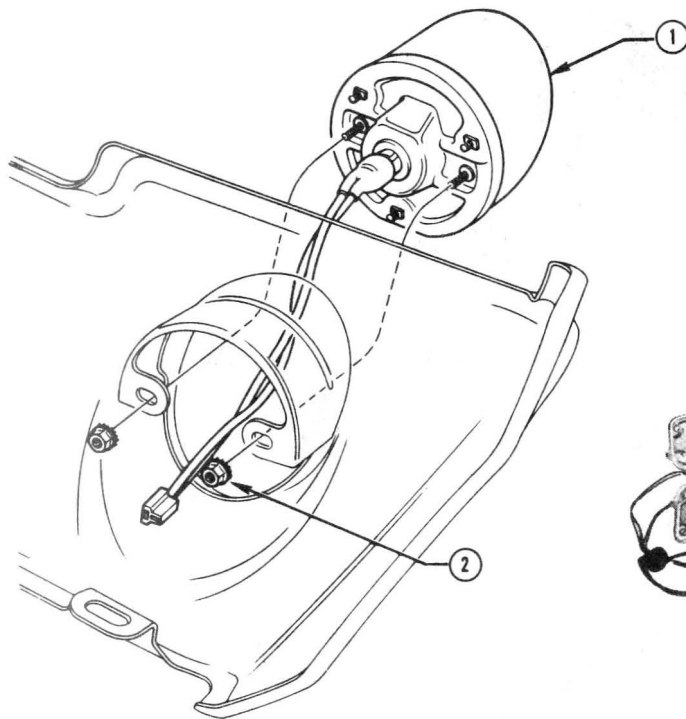
**1971 LAMP ASSEMBLY DETAILS  
(TYPICAL 1972)**

| Key | Description            | Group  |
|-----|------------------------|--------|
| 1   | Rear Marker Lamp ..... | 2.575  |
| 2   | Retainer .....         | 2.575  |
| 3   | Nut (S.S.) .....       | 8.921  |
| 4   | Bulb (S.S.) .....      | 8.991  |
| 5   | Socket .....           | N.S.S. |
| 6   | Gasket .....           | 2.660  |

| Key | Description        | Group |
|-----|--------------------|-------|
| 7   | Housing .....      | 2.680 |
| 8   | Bolt .....         | N.L.  |
| 9   | Gasket .....       | 2.684 |
| 10  | Bezel .....        | 2.681 |
| 11  | Lens .....         | 2.682 |
| 12  | Screw (S.S.) ..... | 8.913 |

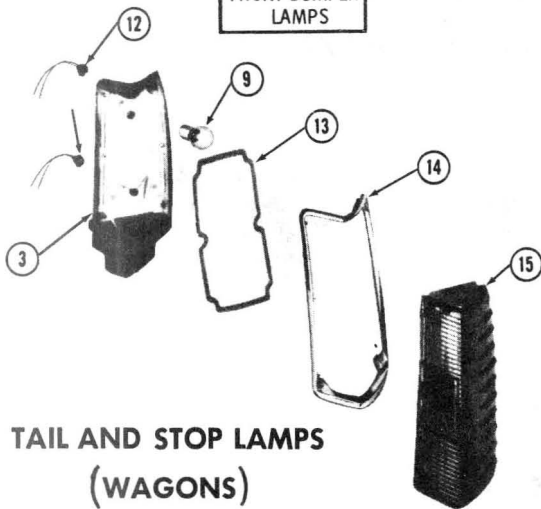
\*S.S. — Standard Stock





**FRONT BUMPER LAMPS**

**TAIL AND STOP LAMPS  
(EXC. WAGONS)**

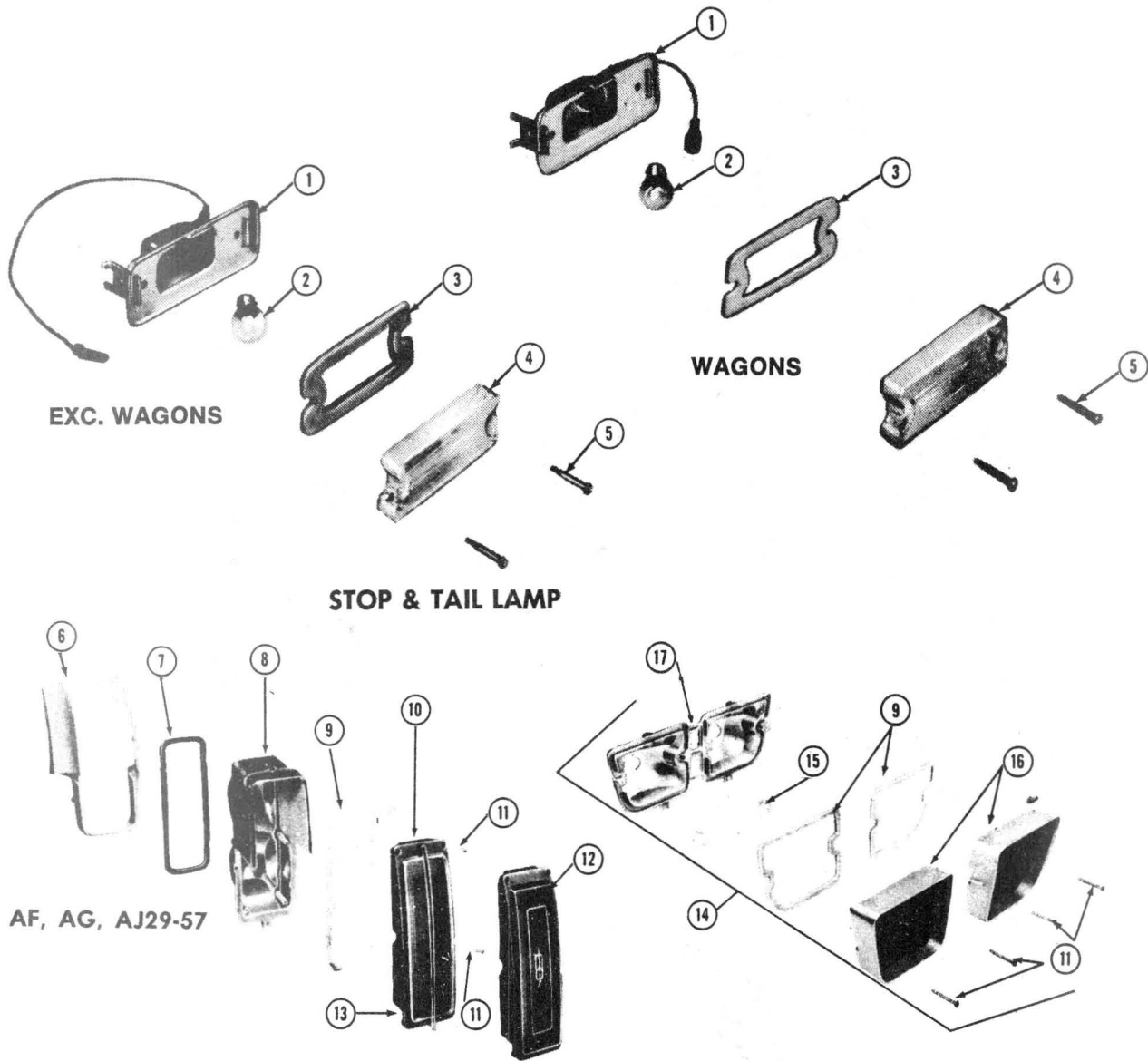


**TAIL AND STOP LAMPS  
(WAGONS)**

**1972 LAMP ASSEMBLY DETAILS**

| Key | Description                                    | Group |
|-----|--|-------|
| 1   | Lamp Asm., Park and Turn .....                 | 2.585 |
| 2   | Nut and Washer .....                           | 8.900 |
| 3   | Housing, Stop and Tail Lamp .....              | 2.680 |
| 4   | Gasket, Stop and Tail Lamp Lens — Upper .....  | 2.684 |
| 5   | Lens, Stop and Tail Lamp — Upper Inner .....   | 2.682 |
| 6   | Lens, Stop and Tail Lamp — Upper Outer .....   | 2.682 |
| 7   | Screw, Stop and Tail Lamp Lens Retaining ..... | 2.688 |

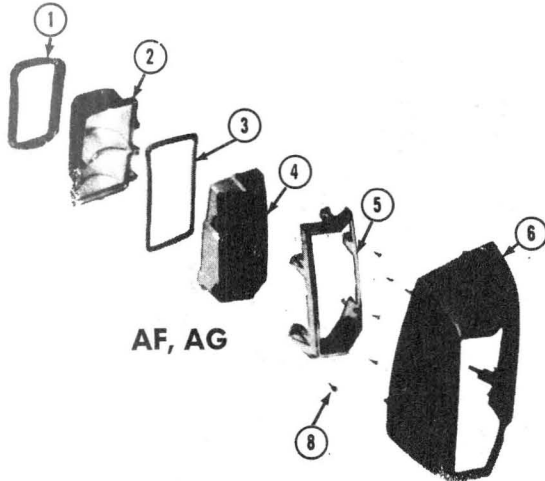
| Key | Description                                       | Group |
|-----|---|-------|
| 8   | Gasket, Stop and Tail Lamp Lens — Lower .....     | 2.684 |
| 9   | Bulb, Stop and Tail Lamp .....                    | 8.991 |
| 10  | Lens, Stop and Tail Lamp Lens — Lower Inner ..... | 2.682 |
| 11  | Lens, Stop and Tail Lamp Lens — Lower Outer ..... | 2.682 |
| 12  | Socket and Wire, Stop and Tail Lamp .....         | 2.694 |
| 13  | Gasket, Stop and Tail Lamp .....                  | 2.684 |
| 14  | Bezel, Stop and Tail Lamp .....                   | 2.681 |
| 15  | Lens, Stop and Tail Lamp .....                    | 2.682 |



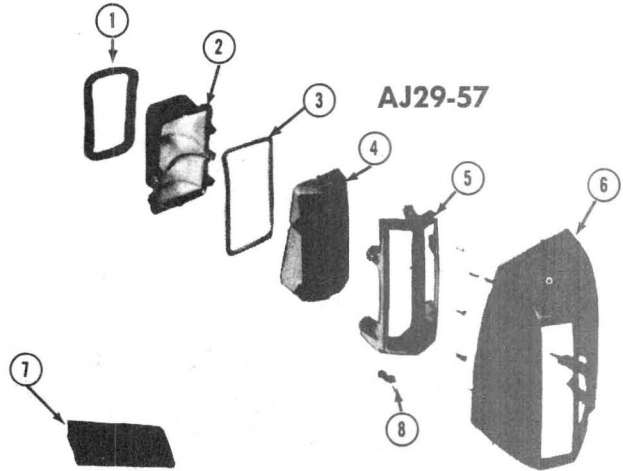
**1973 REAR LAMPS**

| Key | Description                               | Group |
|-----|---|-------|
| 1   | Housing Asm., Back Up Lamp .....          | 2.697 |
| 2   | Bulb, Back Up Lamp .....                  | S.S.  |
| 3   | Gasket, Back Up Lens to Housing .....     | 2.697 |
| 4   | Lens, Back Up Lamp .....                  | 2.697 |
| 5   | Screw, Back Up Lamp .....                 | 2.697 |
| 6   | Extension, Rear Lamp .....                | 2.680 |
| 7   | Gasket, Tail and Stop Lamp Mounting ..... | 2.660 |
| 8   | Housing, Tail and Stop Lamp .....         | 2.680 |
| 9   | Gasket, Tail and Stop Lamp Lens .....     | 2.684 |

| Key | Description                                    | Group |
|-----|--|-------|
| 10  | Lens, Tail and Stop Lamp (AF-AG) .....         | 2.682 |
| 11  | Screw, Tail and Stop Lamp Lens Retaining ..... | 2.688 |
| 12  | Lens, Tail and Stop Lamp (AJ) .....            | 2.682 |
| 13  | Bezel, Tail and Stop Lamp .....                | 2.681 |
| 14  | Lamp Asm., Tail and Stop .....                 | 2.679 |
| 15  | Retainer, Rear Lamp Housing .....              | 2.660 |
| 16  | Lens, Tail and Stop Lamp — Outboard .....      | —     |
| 17  | Housing, N.S.S. Part of Key #14 .....          | —     |



**AF, AG**

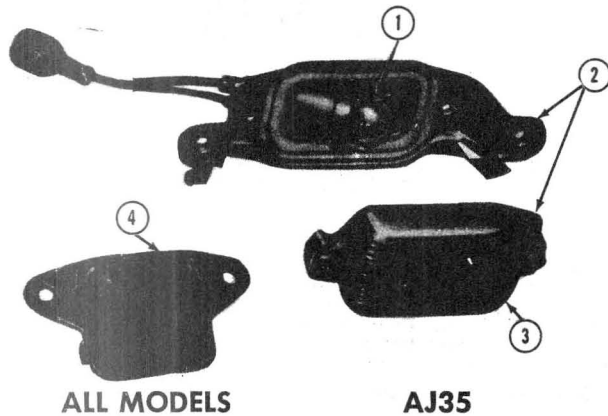


**AJ29-57**

**1974 STOP LAMP & TAIL LAMP ASSY. DETAILS**

| Key | Description     | Group |
|-----|-----------------|-------|
| 1   | Gasket Mounting | 2.660 |
| 2   | Housing         | 2.680 |
| 3   | Gasket Lens     | 2.684 |
| 4   | Lens            | 2.682 |

| Key | Description | Group |
|-----|-------------|-------|
| 5   | Bezel       | 2.681 |
| 6   | Extension   | 2.680 |
| 7   | Reflex      | 2.697 |
| 8   | Screw       | 2.688 |

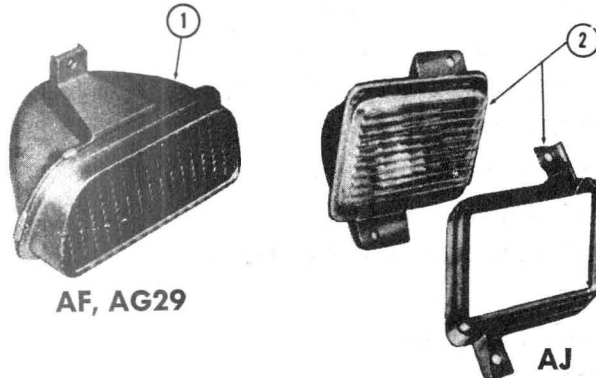


**ALL MODELS**

**AJ35**

**1973-74 LICENSE LAMP DETAILS**

| Key | Description            | Group |
|-----|------------------------|-------|
| 1   | Bulb (#97)             | 8.991 |
| 2   | Lamp Assembly (911547) | 2.700 |
| 3   | Lens                   | 2.709 |
| 4   | Lamp Assembly (897132) | 2.700 |

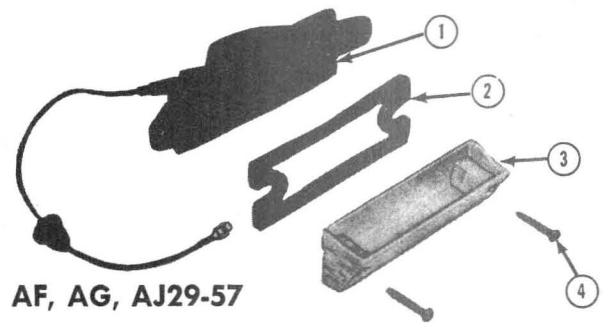


**AF, AG29**

**AJ**

**1974 PARK & TURN SIGNAL LAMP**

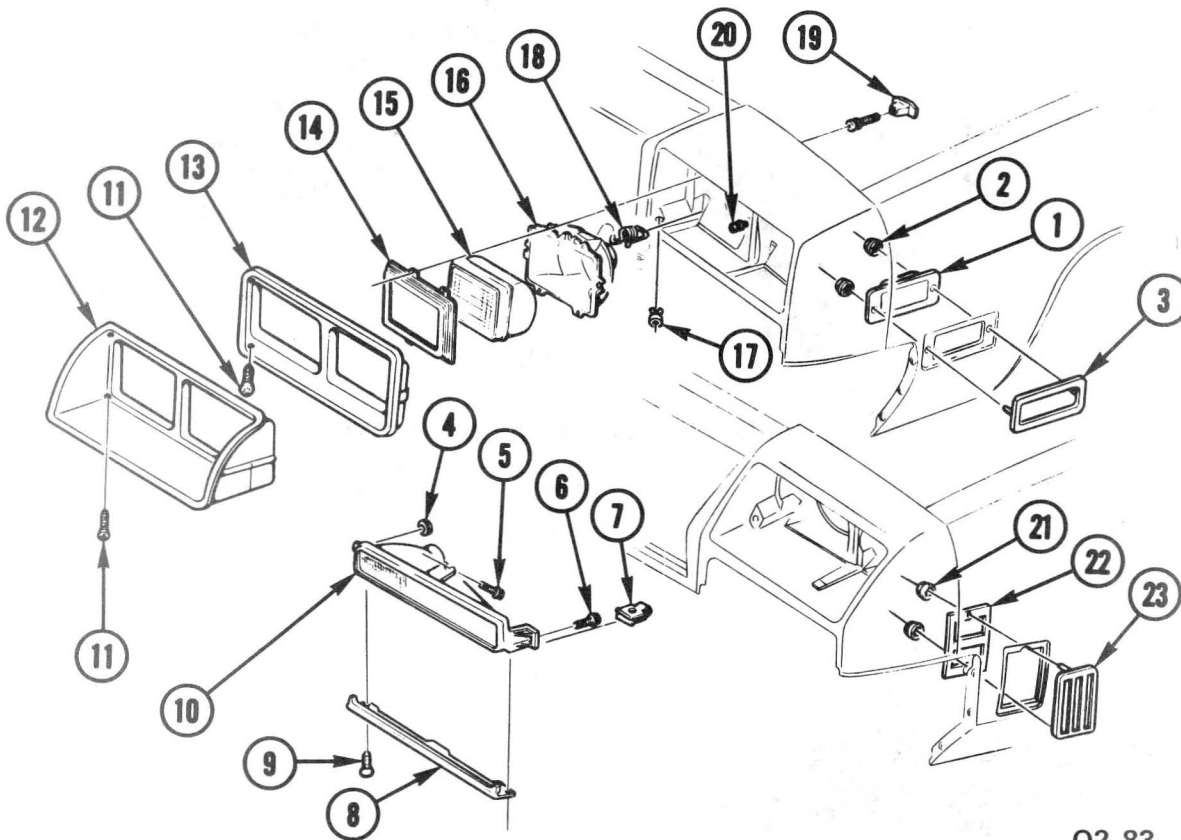
| Key | Description       | Group |
|-----|-------------------|-------|
| 1   | Lamp (912060-59)  | 2.585 |
| 2   | Lamp (5953710-09) | 2.585 |



**AF, AG, AJ29-57**

**1974 BACK UP LAMP DETAILS**

| Key | Description | Group |
|-----|-------------|-------|
| 1   | Housing     | 2.697 |
| 2   | Gasket      | 2.697 |
| 3   | Lens        | 2.697 |
| 4   | Screw       | 2.697 |

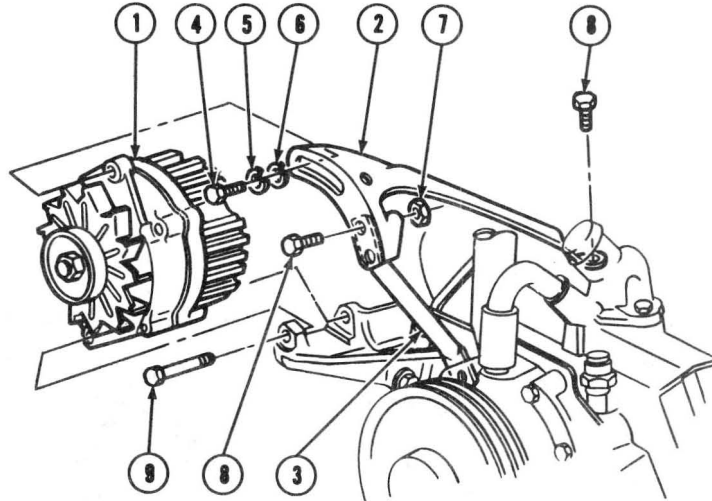


O2-83

**1976 FRONT LAMPS**

| Key | Description                               | Group |
|-----|---|-------|
| 1   | LAMP, Side Marker .....                   | 2.575 |
| 2   | NUT, (3/16)—Std. Stock .....              | 8.921 |
| 3   | BEZEL, Front Side Marker .....            | 2.575 |
| 4   | NUT, (3/16)—Std. Stock .....              | 8.921 |
| 5   | SCREW, Hexagon Head (5/32-16 x 1/2) ..... | N.S.  |
| 6   | SCREW .....                               | N.S.  |
| 7   | SCREW, (8-18 x 3/4) .....                 | 8.977 |
| 8   | EXTENSION, Parking Lamp Rear .....        | 2.585 |
| 9   | SCREW, (8-18 x 3/4) .....                 | 8.977 |
| 10  | LAMP, Parking and Turn Signal .....       | 2.585 |
| 11  | SCREW, (8-18 x 1) .....                   | 8.977 |
| 12  | DOOR, Headlamp—AG .....                   | 2.728 |

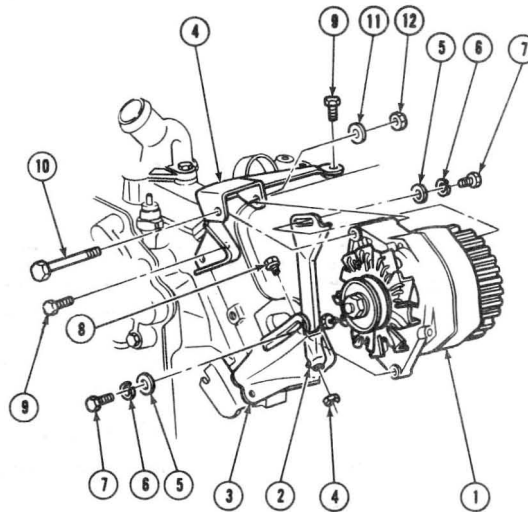
| Key | Description                               | Group |
|-----|---|-------|
| 13  | DOOR, Headlamp—AH, AJ .....               | 2.728 |
| 14  | RING, Headlamp Retaining .....            | 2.731 |
| 15  | SEALED BEAM UNIT, Headlamp .....          | 2.727 |
| 16  | RING, Headlamp Sealed Beam Mounting ..... | 2.726 |
| 17  | NUT, Headlamp Door .....                  | 2.729 |
| 18  | SPRING, Headlamp Retainer .....           | 2.737 |
| 19  | NUT, Headlamp Aiming .....                | 2.737 |
| 20  | SCREW, Headlamp Retaining Ring .....      | 2.736 |
| 21  | NUT, (3/16) .....                         | 8.921 |
| 22  | LAMP, Side Marker .....                   | 2.575 |
| 23  | BEZEL, Front Side Marker .....            | 2.575 |



**1976 260 V-8 DELCOTRON MOUNTING WITH AIR CONDITIONING**

| Key | Description   | Group |
|-----|---|-------|
| 1   | DELCOTRON .....   | 2.275 |
| 2   | LINK, Delcotron Adjusting .....                               | 2.317 |
| 3   | STRUT, Delcotron .....  | 2.277 |
| 4   | BOLT, Delcotron Adjusting ( $\frac{3}{16}$ -18 x 1 In.) ..... | 8.900 |
| 5   | LOCKWASHER, Delcotron Adjusting ( $\frac{3}{16}$ ) .....      | 8.931 |

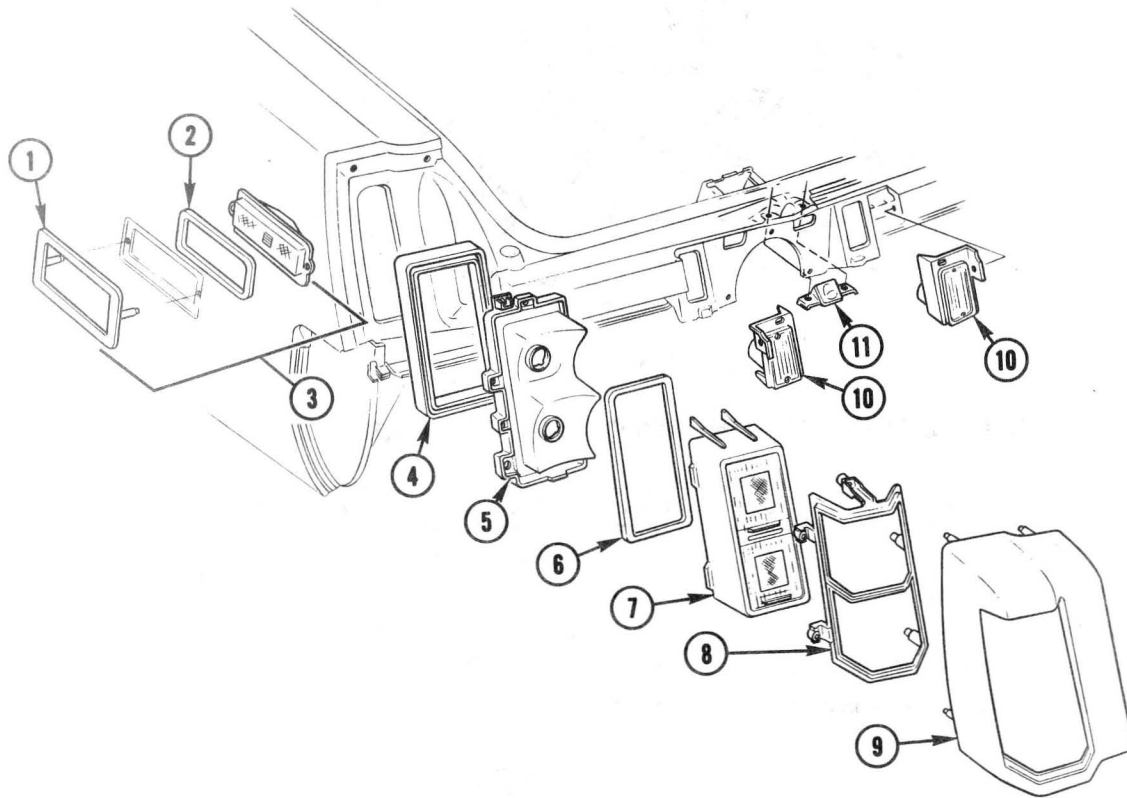
| Key | Description  | Group      |
|-----|--|------------|
| 6   | WASHER, Delcotron Adjusting<br>( $\frac{1}{32}$ I.D. x $\frac{3}{4}$ O.D. x $\frac{3}{32}$ In.) Std. Stock ..... | STD. STOCK |
| 7   | NUT, Link to Strut ( $\frac{3}{16}$ -16) .....   | 8.915      |
| 8   | BOLT, Link to Engine Block ( $\frac{3}{8}$ -16 x $\frac{3}{4}$ In.) .....  | 8.900      |
| 9   | BOLT, Delcotron to Bracket ( $\frac{3}{8}$ -16 x $3\frac{1}{4}$ In.) .....                                       | 8.900      |



**1976 260 V-8 DELCOTRON MOUNTING EXC. AIR CONDITIONING**

| Key | Description  | Group      |
|-----|--|------------|
| 1   | DELCOTRON .....  | 2.275      |
| 2   | BRACE, Delcotron Mounting Bracket<br>Lower—Rear .....  | 2.317      |
| 3   | LINK, Delcotron Adjusting .....  | 2.317      |
| 4   | BRACKET, Generator .....   | 2.277      |
| 5   | WASHER, Brace to Delcotron<br>( $\frac{1}{32}$ I.D. x $\frac{3}{4}$ O.D. x $\frac{3}{32}$ ) Std. Stock ..... | STD. STOCK |
| 6   | LOCKWASHER, Brace to Delcotron ( $\frac{3}{16}$ ) .....  | 8.931      |

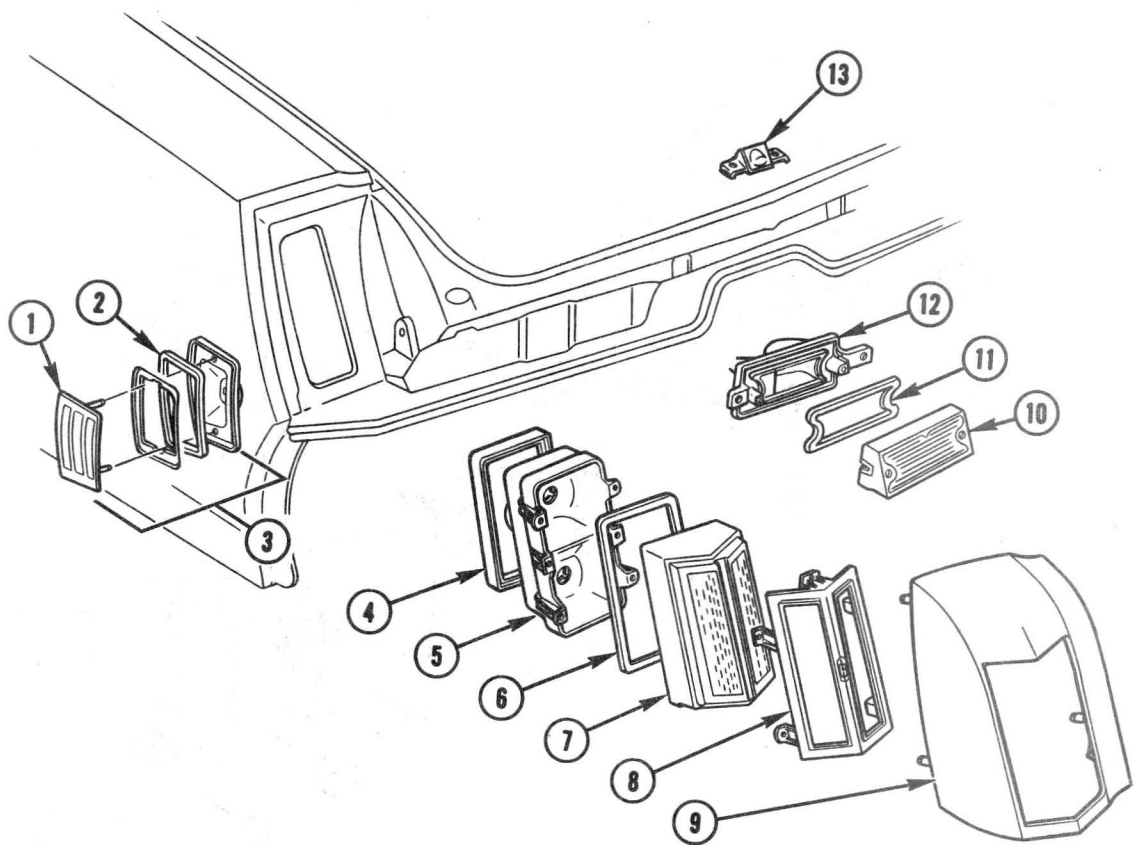
| Key | Description   | Group |
|-----|---|-------|
| 7   | BOLT, Brace to Delcotron ( $\frac{3}{16}$ -18- x 1 In.) .....             | 8.900 |
| 8   | BOLT, Link to Link ( $\frac{3}{16}$ -18 x 1 In.) .....                    | 8.900 |
| 9   | BOLT, Bracket to Engine Block ( $\frac{3}{8}$ -16 x $\frac{3}{4}$ In.) .. | 8.900 |
| 10  | BOLT, Generator Front Bracket to<br>Rear Bracket .....                    | 2.277 |
| 11  | WASHER, Delcotron to Bracket ( $\frac{3}{16}$ ) .....                     | 8.929 |
| 12  | NUT, Delcotron to Bracket ( $\frac{3}{16}$ -16) .....                     | 8.915 |



**1976 AG37 REAR LAMPS**

| Key | Description                           | Group |
|-----|---------------------------------------|-------|
| 1   | BEZEL, Rear Side Marker Lamp .....    | 2.575 |
| 2   | GASKET, Side Marker Lamp .....        | 2.575 |
| 3   | LAMP, Side Marker Lamp .....          | 2.575 |
| 4   | GASKET, Tail and Stop Lamp Mtg. ....  | 2.660 |
| 5   | HOUSING, Stop and Tail Lamp .....     | 2.680 |
| 6   | GASKET, Tail and Stop Lamp Lens ..... | 2.684 |

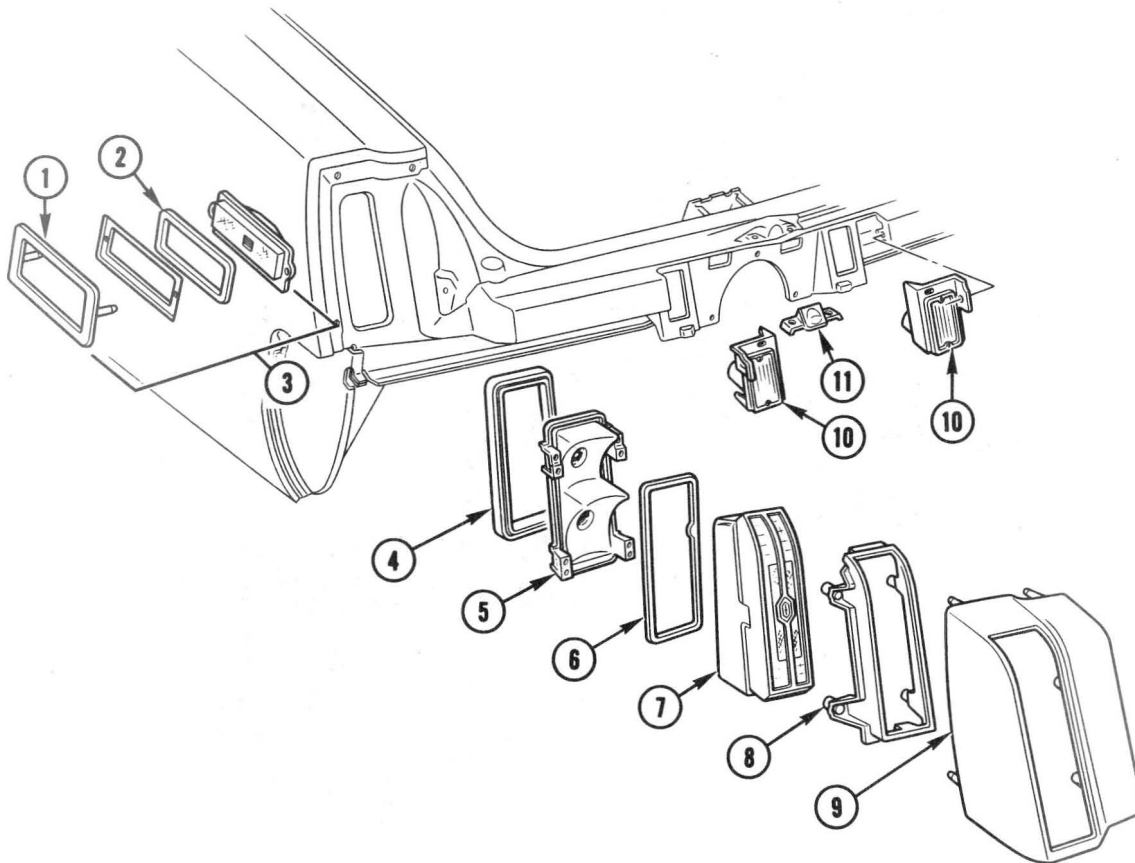
| Key | Description                     | Group |
|-----|---------------------------------|-------|
| 7   | LENS, Tail and Stop Lamp .....  | 2.682 |
| 8   | BEZEL, Tail and Stop Lamp ..... | 2.681 |
| 9   | EXTENSION, Rear Lamp .....      | 2.680 |
| 10  | LAMP, Back Up .....             | 2.697 |
| 11  | LAMP, Rear License .....        | 2.700 |



**1976 AJ29 REAR LAMPS**

| Key | Description                           | Group |
|-----|---------------------------------------|-------|
| 1   | BEZEL, Rear Side Marker Lamp .....    | 2.575 |
| 2   | GASKET, Side Marker Lamp .....        | 2.575 |
| 3   | LAMP, Side Marker Lamp .....          | 2.575 |
| 4   | GASKET, Tail and Stop Lamp Mtg. ....  | 2.660 |
| 5   | HOUSING, Stop and Tail Lamp .....     | 2.680 |
| 6   | GASKET, Tail and Stop Lamp Lens ..... | 2.684 |
| 7   | LENS, Tail and Stop Lamp .....        | 2.682 |

| Key | Description                           | Group |
|-----|---------------------------------------|-------|
| 8   | BEZEL, Tail and Stop Lamp .....       | 2.681 |
| 9   | EXTENSION, Rear Lamp .....            | 2.680 |
| 10  | LENS, Back Up Lamp .....              | 2.697 |
| 11  | GASKET, Back Up Lens to Housing ..... | 2.697 |
| 12  | HOUSING ASSEMBLY, Back Up Lamp .....  | 2.697 |
| 13  | LAMP, Rear License .....              | 2.700 |

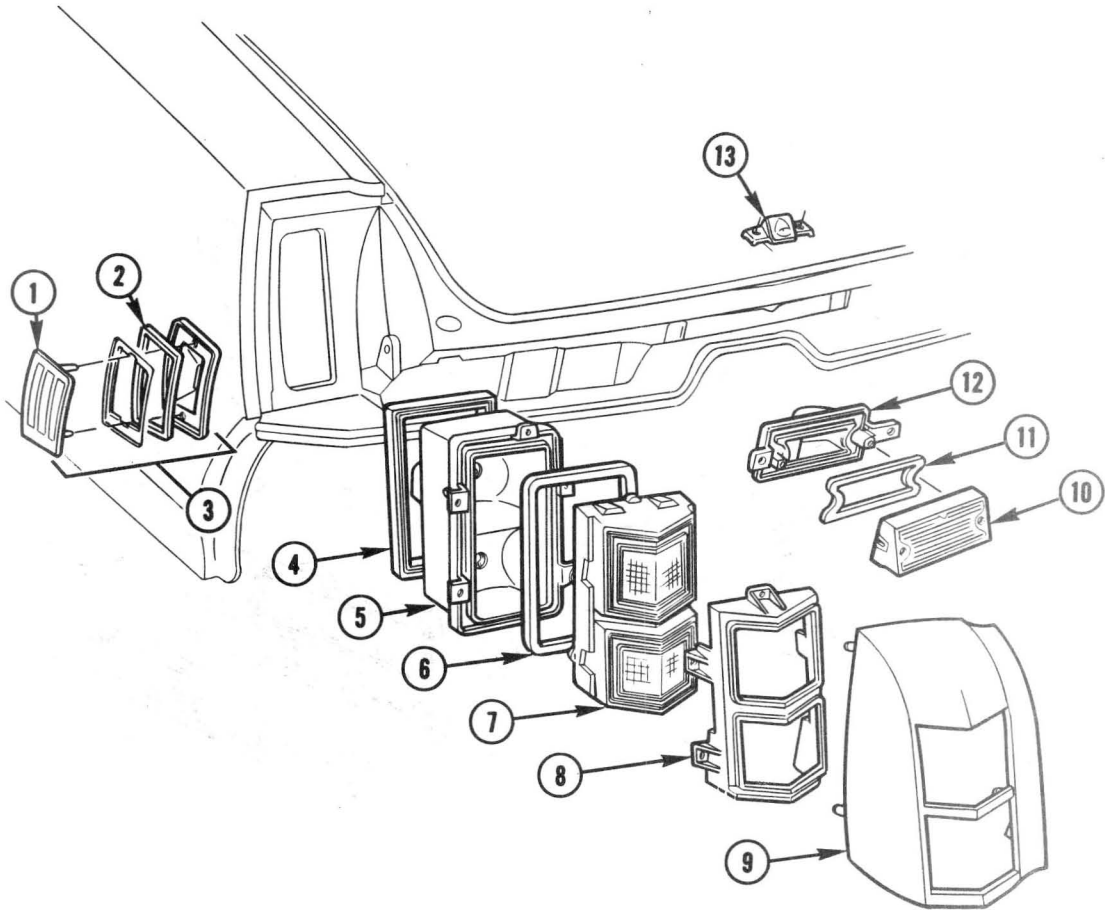


**1976 AJ57 REAR LAMPS**

| Key | Description                           | Group |
|-----|---------------------------------------|-------|
| 1   | BEZEL, Rear Side Marker Lamp .....    | 2.575 |
| 2   | GASKET, Side Marker Lamp .....        | 2.575 |
| 3   | LAMP, Side Marker Lamp .....          | 2.575 |
| 4   | GASKET, Tail and Stop Lamp Mtg. ....  | 2.660 |
| 5   | HOUSING, Stop and Tail Lamp .....     | 2.680 |
| 6   | GASKET, Tail and Stop Lamp Lens ..... | 2.684 |

| Key | Description                     | Group |
|-----|---------------------------------|-------|
| 7   | LENS, Tail and Stop Lamp .....  | 2.682 |
| 8   | BEZEL, Tail and Stop Lamp ..... | 2.681 |
| 9   | EXTENSION, Rear Lamp .....      | 2.680 |
| 10  | LAMP, Back Up .....             | 2.697 |
| 11  | LAMP, Rear License .....        | 2.700 |

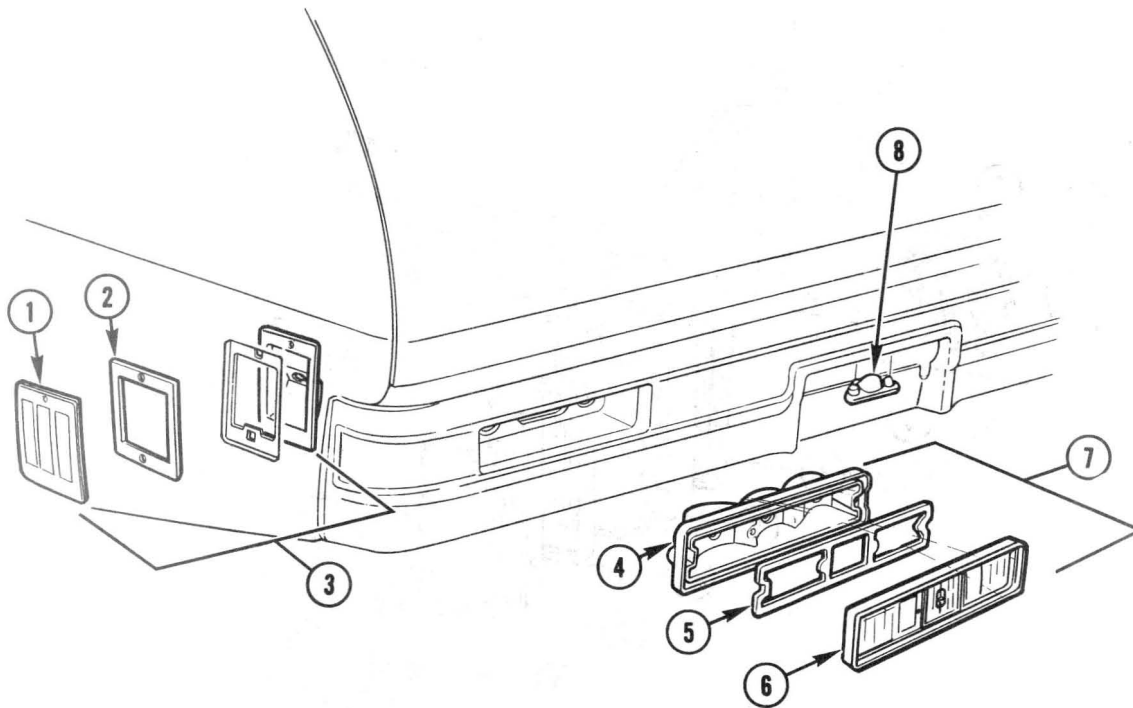




**1976 AK REAR LAMPS**

| Key | Description                           | Group |
|-----|---------------------------------------|-------|
| 1   | BEZEL, Rear Side Marker Lamp .....    | 2.575 |
| 2   | GASKET, Side Marker Lamp .....        | 2.575 |
| 3   | LAMP, Side Marker Lamp .....          | 2.575 |
| 4   | GASKET, Tail and Stop Lamp Mtg. ....  | 2.660 |
| 5   | HOUSING, Stop and Tail Lamp .....     | 2.680 |
| 6   | GASKET, Tail and Stop Lamp Lens ..... | 2.684 |
| 7   | LENS, Tail and Stop Lamp .....        | 2.682 |

| Key | Description                           | Group |
|-----|---------------------------------------|-------|
| 8   | BEZEL, Tail and Stop Lamp .....       | 2.681 |
| 9   | EXTENSION, Rear Lamp .....            | 2.680 |
| 10  | LENS, Back Up Lamp .....              | 2.697 |
| 11  | GASKET, Back Up Lens to Housing ..... | 2.697 |
| 12  | HOUSING ASSEMBLY, Back Up Lamp .....  | 2.697 |
| 13  | LAMP, Rear License .....              | 2.700 |



**1976 WAGONS — REAR LAMPS**

| Key | Description                                 | Group  |
|-----|---|--------|
| 1   | BEZEL, Rear Side Marker Lamp .....          | 2.575  |
| 2   | GASKET, Side Marker Lamp .....              | 2.575  |
| 3   | LAMP, Side Marker .....                     | 2.575  |
| 4   | HOUSING, Tail & Stop Lamp (Part of 7) ..... | N.S.S. |

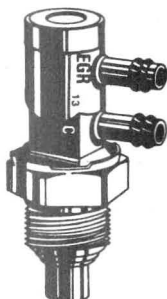
| Key | Description                                     | Group  |
|-----|---|--------|
| 5   | GASKET, Tail & Stop Lamp Lens (Part of 7) ..... | N.S.S. |
| 6   | LENS, Tail & Stop Lamp Lens (Part of 7) .....   | N.S.S. |
| 7   | LAMP ASSEMBLY, Stop and Tail .....              | 2.679  |
| 8   | LAMP, Rear License .....                        | 2.700  |



### 1975-76 EMISSION VALVES AND SWITCHES

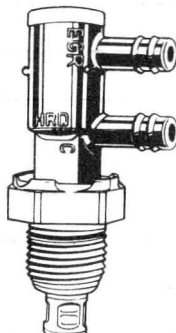
NOTE: Refer to the Data Section for Model Years and Application.

Switch, EGR Valve  
Vacuum Control



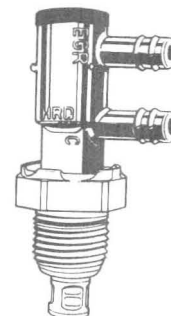
Part No. 355960  
Group 2.408  
Group 3.670

Switch, EGR Valve  
Vacuum Control



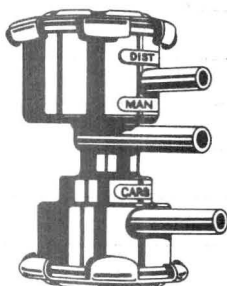
Part No. 357100  
Group 2.408  
Group 3.670

Switch, EGR Valve  
Vacuum Control



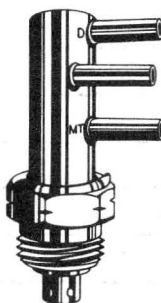
Part No. 3031385  
Group 2.408  
Group 3.670

Valve, Distributor  
Vacuum Advance



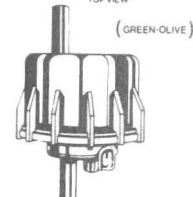
Part No. 497610  
Group 2.410

Switch, Thermal Vacuum



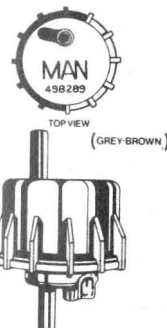
Part No. 413473  
Group 2.408  
Group 2.410

Valve, Spark Retard Delay



Part No. 498289  
Group 2.410

Valve, Thermal Check  
and Delay



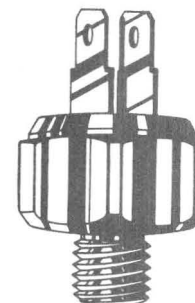
Part No. 413429  
Group 2.408  
Group 3.440

Switch, Thermal Override



Part No. 6490898  
Group 2.408  
Group 2.410

Switch, Thermal Delay  
(TCS & EGR)



Part No. 6490377  
Group 2.408  
Group 2.410  
Group 3.408

