

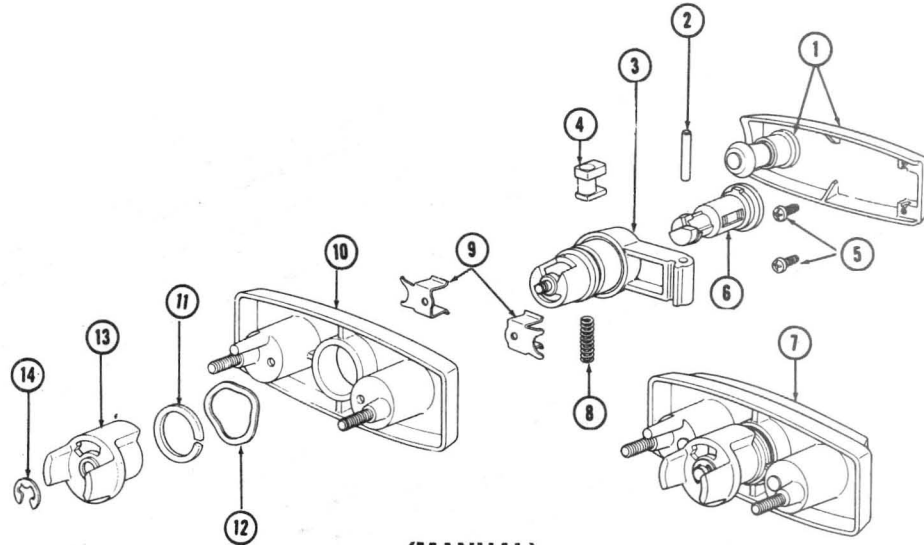
GROUP 12.000 METAL TRIM— PANELS AND CLIPS

GROUP 12.000 INDEX	ILLUST. NO.
1964-72 TAILGATE ESCUTCHEON AND HANDLE	1
1969-76 TAILGATE HARDWARE	2 - 5
1966-76 SHEET METAL	6 - 23
1968-74 LOAD FLOOR	24 - 27
1965 REAR END MOULDING	28
1973-74 VISTA VENT HARDWARE	29
1976 HATCH ROOF	30

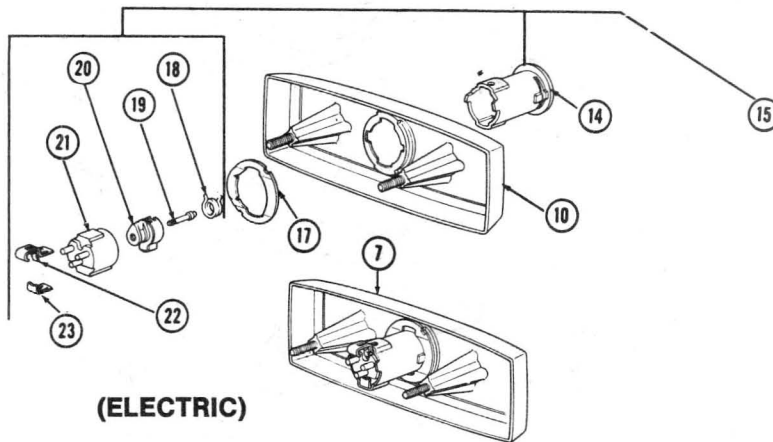


Notes

A series of horizontal lines provided for taking notes.



(MANUAL)



(ELECTRIC)

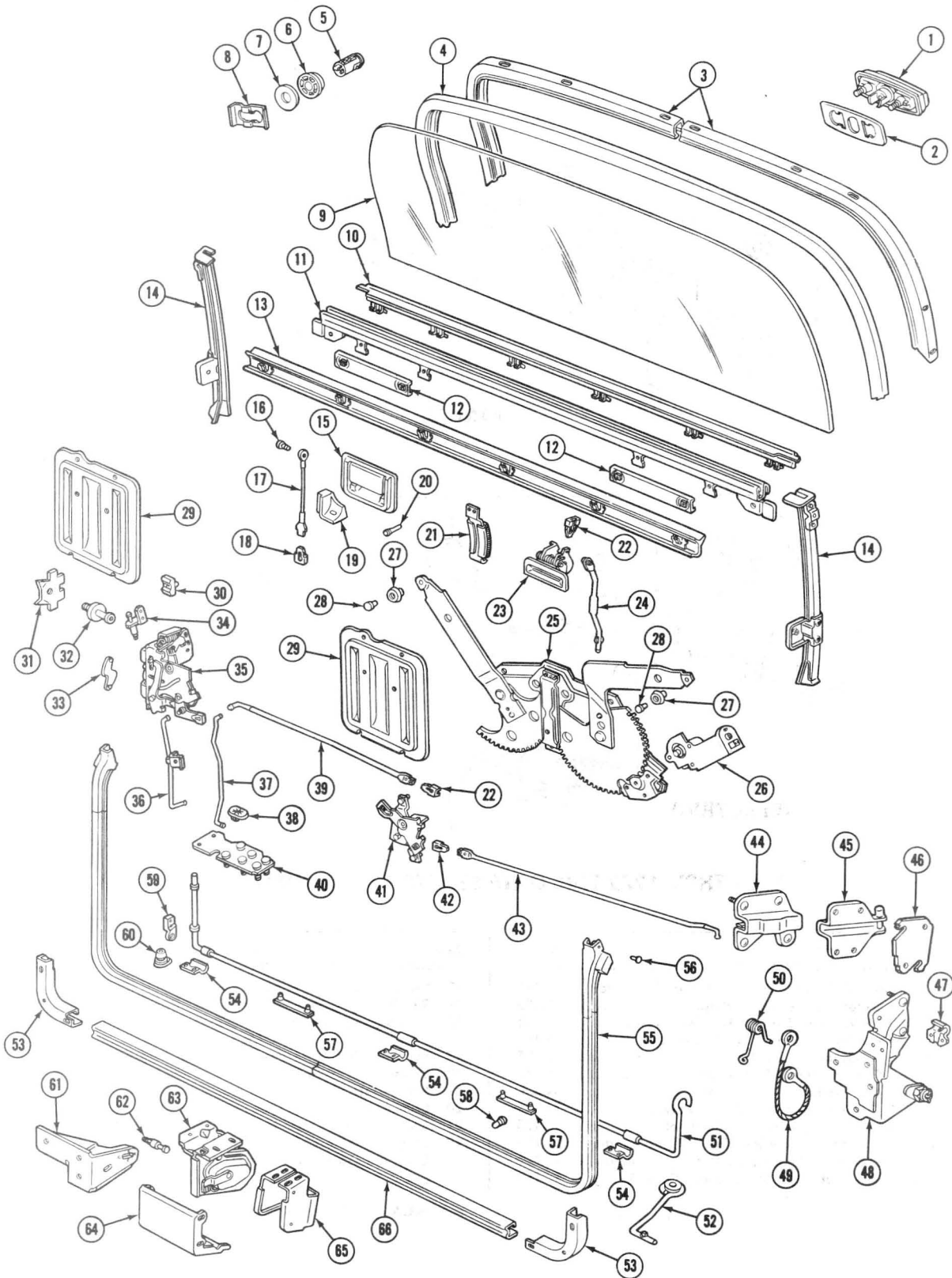
1964 THRU 1972 TAIL GATE ESCUTCHEON AND HANDLE

Key	Description	Group
1	Handle Assembly, Tail Gate Window Manual Regulator	12.195
2	Pin, Tail Gate Outer Handle Driver Hinge	12.195
3	Driver, Tail Gate Window Manual Regulator Handle	12.195
4	Pawl, Tail Gate Window Outer Handle Cylinder	12.195
5	Screw, Tail Gate Outer Handle Driver Pin Retainer	12.195
6	Cylinder, Tail Gate Manual Window Lock	12.248
7	Tail Gate Handle Assembly — Complete	N.S.S.
8	Spring, Tail Gate Outer Handle Cylinder Pawl	12.249
9	Clip, Tail Gate Outer Regulator Handle Knob	12.195
10	Escutcheon, Tail Gate Window Regulator Outer Handle	12.195
11	Ring, Tail Gate Window Outer Handle Cylinder Retaining	12.195
12	Washer, Tail Gate Outer Handle Cylinder Case Spring	12.195

Key	Description	Group
13	Clutch, Tail Gate Window Outer Handle Cylinder	12.195
14	Retainer, Tail Gate Window Outer Handle, Cylinder Clutch	12.195
15	Cylinder, Tail Gate Power Window Switch Lock	12.248
16	Case — Incl. in Key #15	N.S.S.
17	Retainer, Tail Gate Power Window Lock Cylinder	12.249
18	Spring — Incl. in Key #15	N.S.S.
19	Pin — Incl. in Key #15	N.S.S.
20	Cam — Incl. in Key #15	N.S.S.
21	Switch Plate — Incl. in Key #15	N.S.S.
22	Clip, Tail Gate Lock Cylinder Switch	12.195
23	Clip, Tail Gate Lock Cylinder Switch	N.L.A.

N.S.S.—Not Serviced Separately.

N.L.A.—No Listing Available.

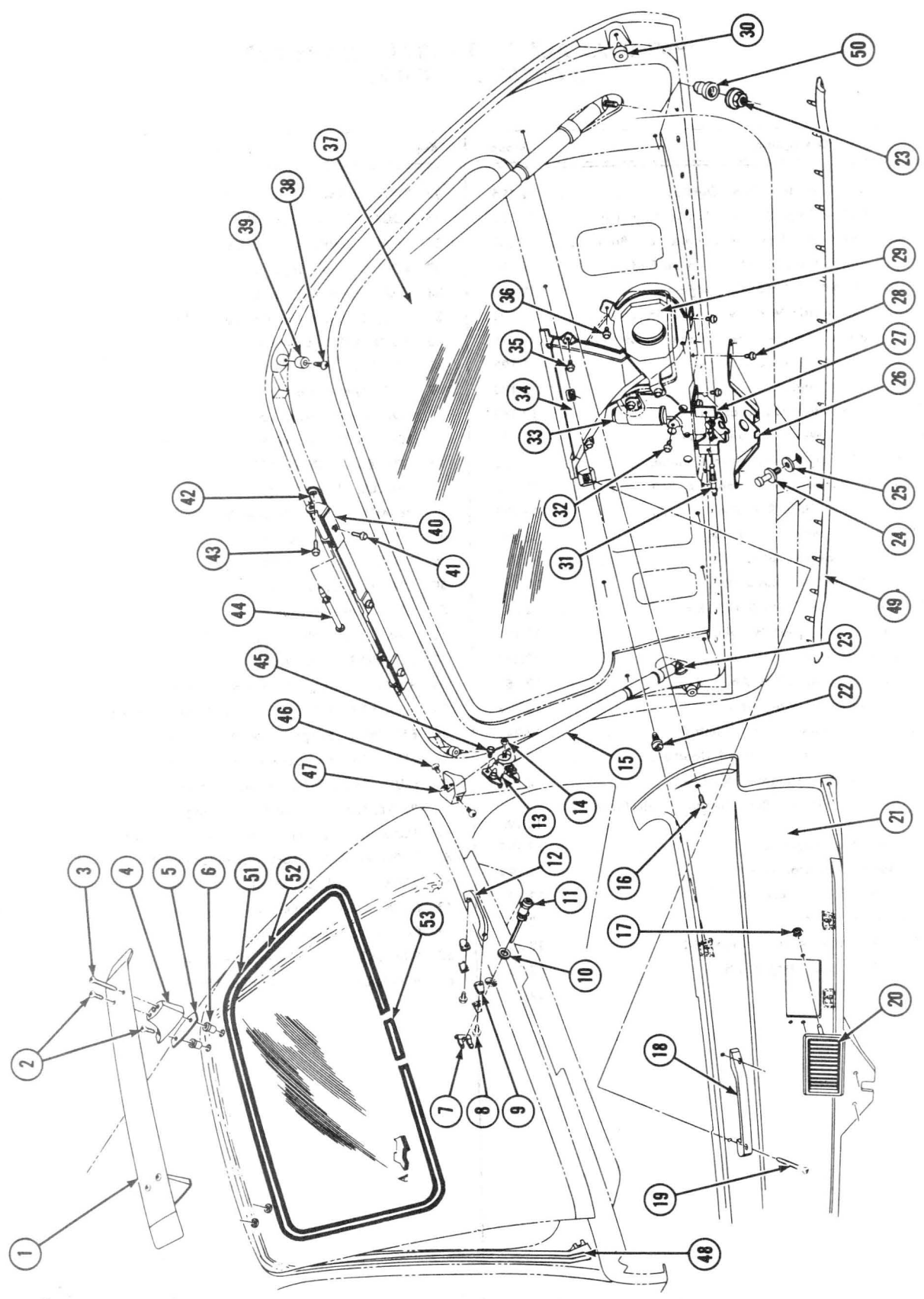


1969 DUAL ACTION TAILGATE HARDWARE
TYPICAL OF 1970-72

**1969 DUAL ACTION TAILGATE HARDWARE
(TYPICAL OF 1970-72)**

Key	Description	Group
1	HANDLE ASSY., Window Reg. Outside	12.195
2	GASKET, Window Reg. Outside Handle to Panel	12.195
3	RETAINER, Window Glass Run Channel on Body	12.180
4	CHANNEL ASSY., Window Glass Run on Body	12.180
5	LOCK CYL. & SWITCH ASSY., Tailgate	12.195
6	ESCUTCHEON, Electric Window Lock Cylinder	12.195
7	GASKET, Electric Window Lock Cylinder Escutcheon	12.195
8	RETAINER, Switch & Lock Cylinder	12.195
9	GLASS, Tailgate Window	12.180
10	STRIP ASSY., Window Outer at Belt	12.180
11	CHANNEL ASSY., Window Lower Sash	12.180
12	CAM ASSY., Window Lower Sash Channel	12.180
13	STRIP ASSY., Window Inner Panel at Belt	12.180
14	CHANNEL ASSY., Glass Run side	12.180
15	HANDLE ASSY., Inside Remote RH	12.242
16	RIVET, Inside Handle Cable RH	12.242
17	CABLE ASSY., Inside Handle RH	12.242
18	CLIP, Inside Handle Cable Spring RH	12.242
19	STRIP, Inner Panel at RH Handle	12.195
20	BUMPER, Inside Handle RH	12.242
21	CLIP ASSY., Window Glass Anti-Rattle	12.180
22	CLIP, Lock Remote Control Handle	12.242
23	HANDLE ASSY., Lock Remote Control	12.242
24	ROD ASSY., Lock Remote Control Handle	12.242
25	REGULATOR ASSY., Tailgate Window	12.195
26	MOTOR ASSY., Window Reg. Electric (With Gear & Pinion	12.195
27	ROLLER, Window Regulator	12.195
28	PIN, Window Regulator Roller	12.195
29	COVER, Inner Panel Access Hole	12.195
30	BUMPER, Lock Striker	12.212
31	PLATE, Lock Striker Anchor Upper RH	12.237
32	STRIKER ASSY., Lock Upper RH	12.237
33	PLUG, Upper RH Lock	12.242

Key	Description	Group
34	SWITCH ASSY., Electric Lock Upper RH	12.242
35	LOCK ASSY., Upper RH	12.242
36	ROD & GUIDE ASSY., Lock Blockout	12.242
37	ROD, Tailgate Upper to Lower Lock Control	12.242
38	PLUG, Lower RH Lock	12.242
39	ROD, Lock Remote Control to Lock RH	12.242
40	PLATE ASSY., Lower Lock Anchor RH	12.237
41	CONTROL ASSY., Lock Remote	12.242
42	CLIP, Remote Control to Upper LH Lock Rod	12.242
43	ROD, Lock Remote Control LH	12.242
44	LOCK & HINGE ASSY., Upper LH (Gate Side)	12.242
45	STRIKER & HINGE ASSY., Upper (Body Side)	12.184
46	SPACER, Upper Hinge on Body	12.195
47	RETAINER, Hinge Torque Rod Link	12.187
48	HINGE ASSY., Lower LH	12.184
49	SUPPORT ASSY., (Cable Type)	12.203
50	SPRING, Support Assist	12.203
51	ROD, Hinge Torque	12.187
52	LINK ASSY., Hinge Torque Rod	12.187
53	RETAINER, Weatherstrip Lower Corner	12.269
54	RETAINER, Hinge Torque Rod Lower	12.187
55	WEATHERSTRIP ASSY., Tailgate Opening Complete	12.269
56	FASTENER, Tailgate Weatherstrip to Panel	12.269
57	STRIP, Tailgate Bottom Drain Hole	12.269
58	PLUG, Tailgate Suppt. Asst. Spring Ret.	12.203
59	PLATE, Hinge Torque Rod Bearing RH	12.187
60	PLUG, Inner Panel Extension at Torque Rod	12.180
61	SUPPORT ASSY., Lock Striker Lower RH	12.237
62	STRIKER, Lock Lower RH	12.237
63	LOCK ASSY., Lower RH	12.242
64	COVER, Lower Lock RH	12.242
65	SUPPORT, Rear Bumper Filler Cap on Gate	7.836
66	RETAINER, Tailgate Weatherstrip Lower Center	12.269

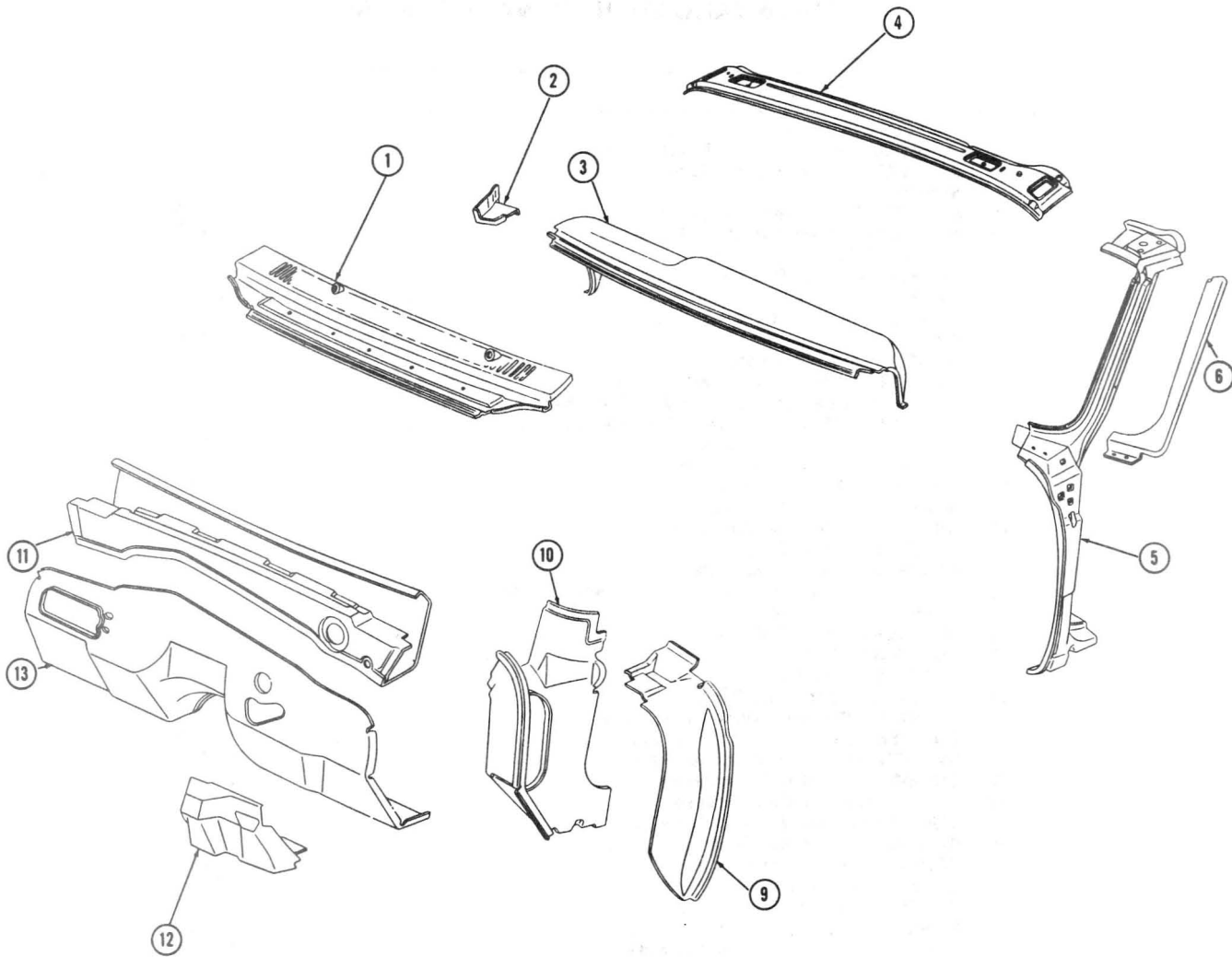


1973-76 TAILGATE HARDWARE (TYPICAL)



1973-76 TAILGATE HARDWARE (TYPICAL)

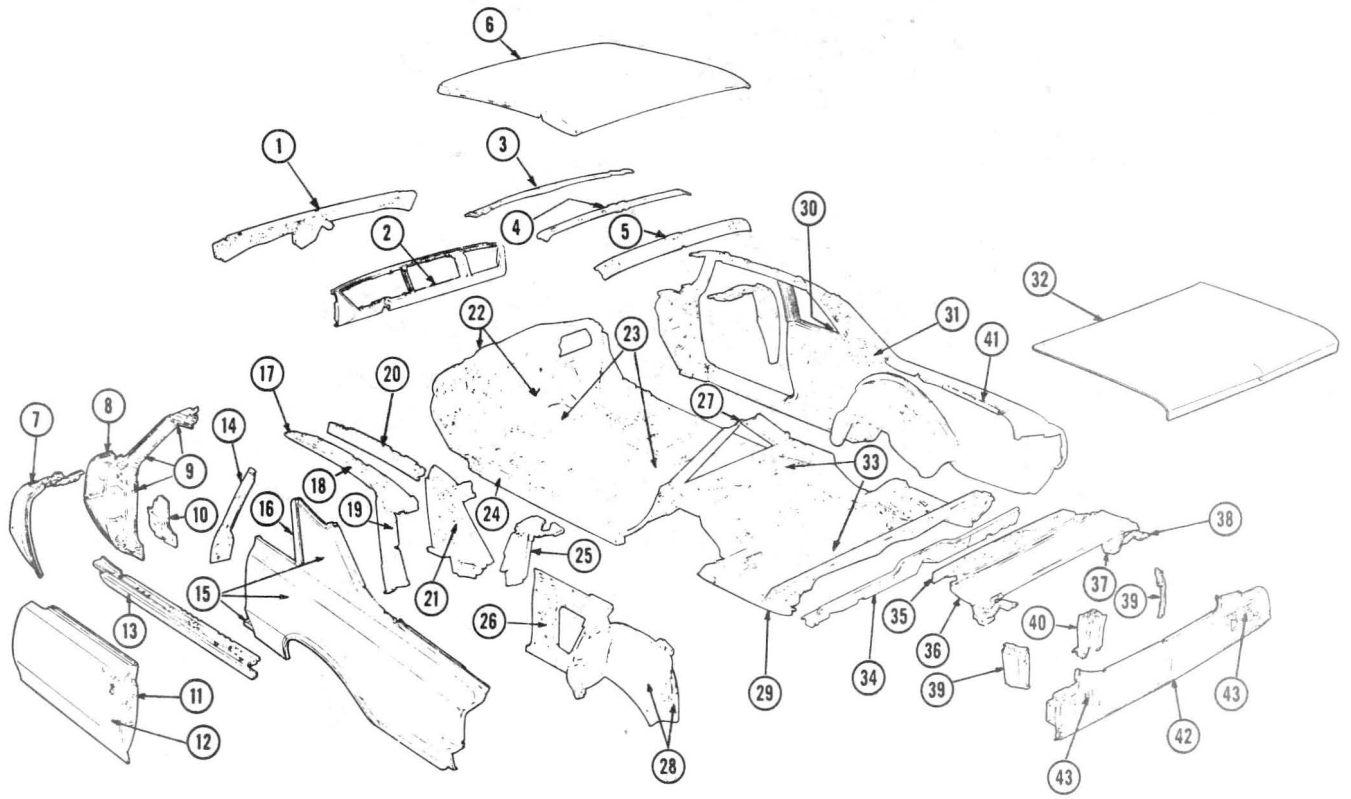
Key	Description	Group
1.	DEFLECTOR, Gate Wind.	12.180
2.	SCREW, Deflector to Supt. & Outer Panel	N.S.
3.	SCREW, Deflector to Outer Panel	N.S.
4.	SUPPORT, Wind Deflector	12.180
5.	GASKET, Wind Deflector Support	12.180
6.	NUT ASM., Deflector to Outer Panel	12.815
7.	RETAINER, Gate Lock Cylinder	10.551
8.	SCREW, Handle to Outer Panel	10.527
9.	GASKET, Outer Panel Handle	12.242
10.	GASKET, Gate Lock Cylinder	12.247
11.	CYLINDER, Gate Lock	12.248
12.	HANDLE, Gate Outer Panel	12.242
13.	SUPPORT ASM., Counter Balance-Upr.	12.187
14.	NUT, Counter Balance Supt. to Upr. Supt. Asm.	12.203
15.	SUPPORT ASM., Gate Counter Balance	12.203
16.	SCREW, Cover to Inner Panel	N.S.
17.	NUT, Grille to Inner Panel Cover	N.S.
18.	HANDLE ASM., Gate Inside Pull	12.242
19.	SCREW, Handle to Inner Panel	N.S.
20.	GRILLE, Gate Window Defogger	9.778
21.	PANEL, Gate Inner Cover	12.195
22.	FASTENER, Cover to Inner Panel	14.780
23.	NUT, Counter Balance to Inner Panel Anchor Plate	12.203
24.	STRIKER ASM., Gate Lock	12.237
25.	WASHER, Gate Lock Striker	12.237
26.	COVER, Gate Lock	12.242
27.	LOCK ASM., Tail Gate	12.242
28.	SCREW, Cover to Inner Panel	N.S.
29.	BLOWER ASM., Gate Window Defogger	9.778
30.	BUMPER, Gate	12.212
31.	SWITCH ASM., Gate Warning Light	12.195
32.	SCREW, Solenoid to Inner Panel	12.242
33.	SOLENOID ASM., Gate Release	12.243
34.	DUCT ASM., Gate Window Defogger	9.778
35.	SCREW, Duct to Inner Panel	N.S.
36.	SCREW, Blower to Inner Panel	N.S.
37.	GLASS, Tail Gate Window	12.180
38.	SCREW, Bumper to Inner Panel	N.S.
39.	BUMPER, Gate Upper Corner	12.212
40.	STRAP ASM., Gate Hinge-Body Side	12.184
41.	SCREW, Body Strap to Gate Strap	N.S.
42.	STRAP ASM., Gate Hinge-Gate Side	12.184
43.	SCREW, Strap to Panel	N.S.
44.	PIN ASM., Gate Hinge	12.184
45.	SCREW, Supt. to Back Body Pillar Inner Upper	12.242
46.	SCREW, Cover to Upper Support	N.S.
47.	COVER, Counter Balance Supt.-Upr.	12.187
48.	WEATHERSTRIP, Gate Opening-Upper & Side	12.269
49.	WEATHERSTRIP, Gate-Lower	12.269
50.	GROMMET, Gate Balance Supt.	12.203
51.	CHANNEL, Tail Gate Window Glass (Rubber)	12.180
52.	STRIP, Tail Gate Glass Lock Channel (Chrome)	12.180
53.	ESCUTCHEON, Lock Channel Strip (Chrome Finish)	12.180



FRONT END BODY SHEET METAL
(TYPICAL)

Key	Description	Group
1	Grille, Shroud Top Vent	12.800
2	Support, Instrument Panel End	10.230
3	Panel, Instrument	10.230
4	Frame, Windshield Inner—Upper	12.807
5	Panel, Front Body Hinge Pillar	12.840
6	Frame, Windshield Outer Side	12.808

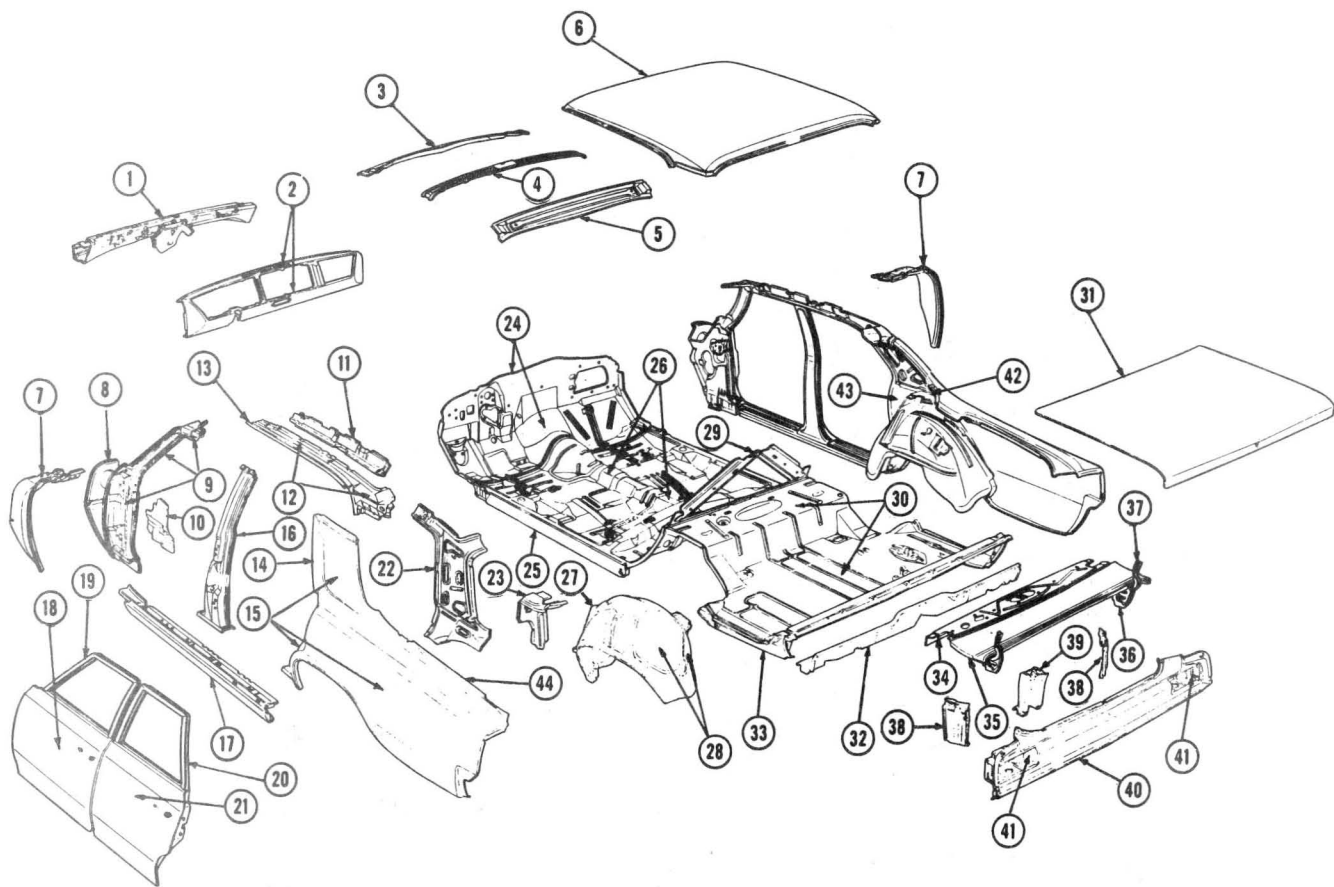
Key	Description	Group
9	Panel, Shroud Lower Side	12.804
10	Panel, Shroud Vent Duct Side	12.804
11	Panel, Upper Dash and Duct	12.804
12	Brace, Dash to Chassis	12.650
13	Panel, Dash Lower	12.804



2 DOOR — SEDAN — BODY SHEET METAL
 (TYPICAL)

Key	Description	Group
1	Panel, Upper Dash and Duct	12.804
2	Panel, Instrument	10.230
3	Frame, Windshield Inner—Upper	12.807
4	Bow, Roof	12.952
5	Panel, Back Window Inner	12.964
6	Panel, Roof	12.810
7	Panel, Shroud Lower Side	12.804
8	Panel, Shroud Vent Side Duct	12.804
9	Panel, Front Body Hinge Pillar	12.840
10	Reinforcement, Front Body Hinge Pillar to Duct	12.659
11	Door, Front	10.351
12	Panel, Front Door—Outer	12.895
13	Panel, Door Opening Rocker—Outer	12.934
14	Panel, Body Lock Pillar—Upper	12.942
15	Panel, Rear Quarter Side—Outer	12.940
16	Moulding, Roof Drip Rear	12.075
17	Moulding, Roof Drip—Front	12.075
18	Rail, Side Roof—Outer—Front	12.956
19	Rail, Side Roof—Outer—Rear	12.956
20	Rail, Side Roof—Inner—Front	12.957
21	Rail, Side Roof—Inner—Rear	12.957
22	Panel, Dash—Lower	12.804
23	Pan, Floor	N.L.

Key	Description	Group
24	Panel, Rocker—Inner	12.934
25	Extension, Shelf Panel	12.971
26	Panel, Rear Quarter—Inner	% 12.941
27	Brace, Rear Seat Back Diagonal	N.S.S.
28	Panel, Wheelhouse	12.944
29	Filler, Compartment Pan	12.981
30	Pan, Rear Compartment	12.981
31	Filler, Back Window Lower Corner	12.964
32	Lid, Rear Compartment	12.181
33	Pan, Rear Compartment	12.981
34	Bar, Rear Cross	* 12.986
35	Panel, Rear Seat Back Shelf	12.971
36	Panel, Rear Compartment—Front	# 12.971
37	Support, Trunk Compartment Lid Hinge	12.184
38	Strap, Rear Compartment Lid Hinge	12.187
39	Brace, Compartment Gutter to Compartment Pan	12.996
40	Plate, Trunk Compartment Lid Lock Striker Anchor	12.237
41	Gutter, Rear Compartment Lid Side	12.996
42	Panel, Rear End	12.966
43	Pocket, Tail Lamp Opening	12.943
* Component of Rear Compartment Pan Assembly		
% Component of wheelhouse		
# Does not include Lid Hinge Support and Strap		

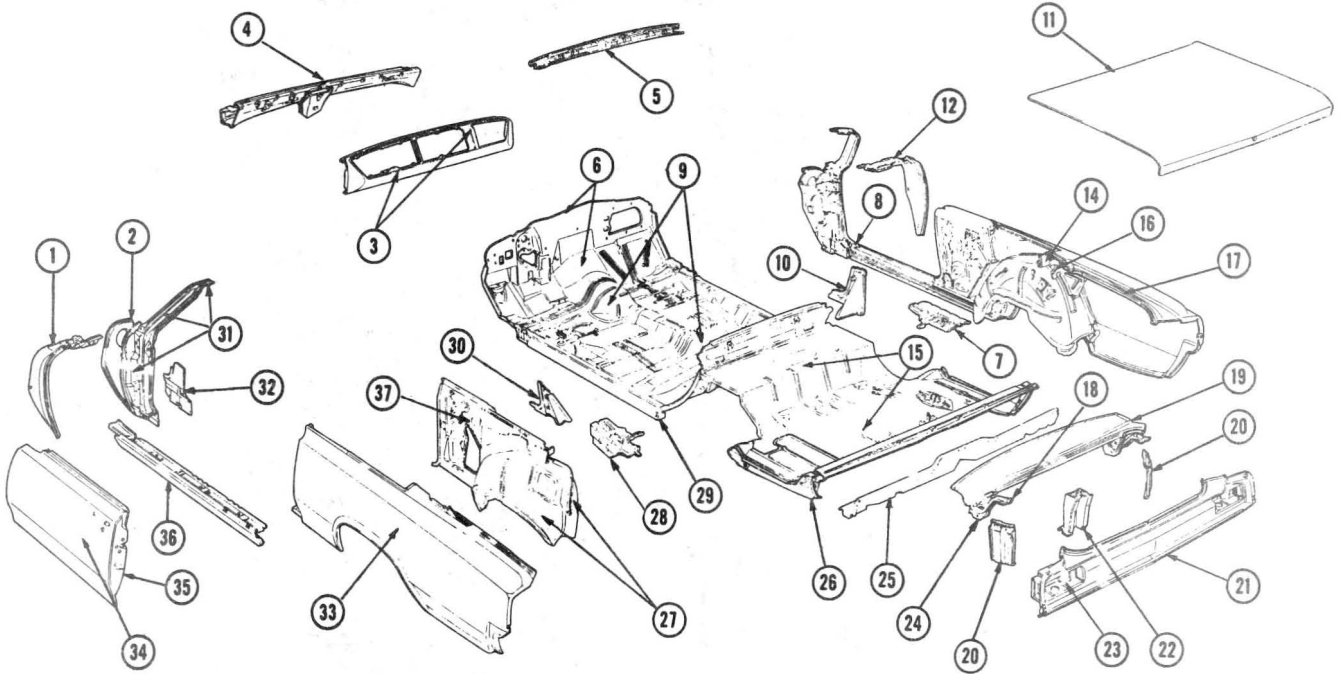


4 DOOR — SEDAN — BODY SHEET METAL
(TYPICAL)

Key	Description	Group
1	Panel, Upper Dash and Duct	12.804
2	Panel, Instrument	10.230
3	Frame, Windshield—Inner—Upper	12.807
4	Bow, Roof	12.952
5	Panel, Back Window—Inner	12.964
6	Panel, Roof	12.810
7	Panel, Shroud Lower Side	12.804
8	Panel, Shroud Vent Side Duct	12.804
9	Panel, Front Body Hinge Pillar	12.840
10	Reinforcement, Front Body Hinge Pillar to Duct	12.659
11	Rail, Side Roof—Inner	12.957
12	Rail, Side Roof—Outer	12.956
13	Moulding, Roof Drip—Front	12.075
14	Moulding, Roof Drip—Rear	12.075
15	Panel, Rear Quarter Side—Outer	12.940
16	Pillar, Center Hinge	12.491
17	Panel, Door Opening Rocker—Outer	12.934
18	Panel, Front Door—Outer	12.895
19	Door, Front	10.351
20	Door, Rear	10.373
21	Panel, Rear Door—Outer	12.913
22	Panel, Rear Quarter—Inner	12.941
23	Extension, Shelf Panel	12.971
24	Panel, Dash—Lower	12.804

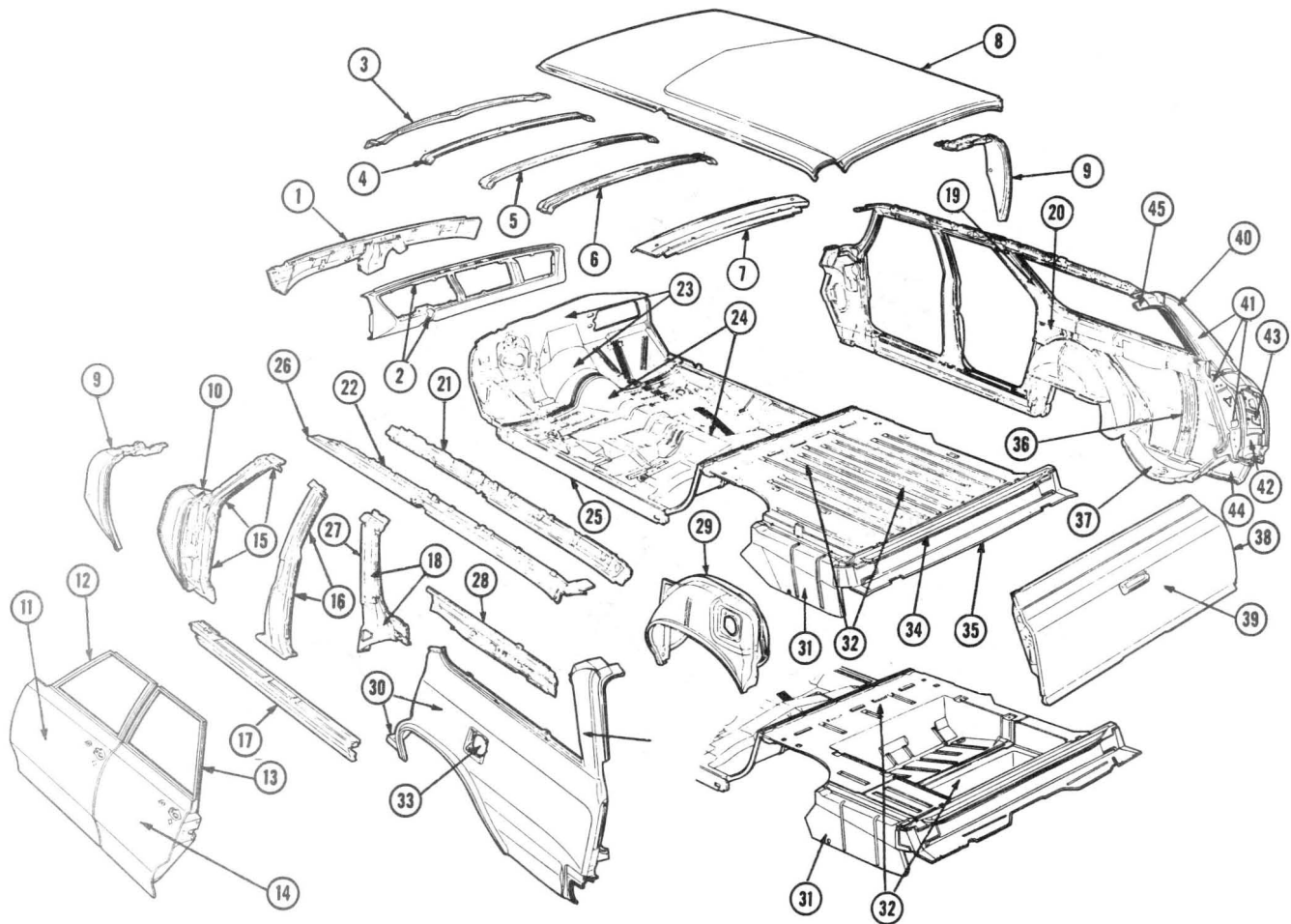
Key	Description	Group
25	Panel, Rocker—Inner	12.934
26	Pan, Floor	N.L.
27	Panel, Body Lock Pillar—Inner—Lower	*12.942
28	Panel, Wheelhouse	12.944
29	Brace, Rear Seat Back—Diagonal	N.S.S.
30	Pan, Trunk Compartment	12.981
31	Lid, Trunk Compartment	12.181
32	Bar, Rear Cross	#12.986
33	Filler, Compartment Pan	12.981
34	Panel, Rear Seat Back Shelf	12.971
35	Panel, Rear Compartment—Front	%12.971
36	Support, Trunk Compartment Lid Hinge	12.184
37	Strap, Trunk Compartment Lid Hinge	12.187
38	Brace, Trunk Compartment Gutter to Compartment Pan	12.996
39	Plate, Trunk Compartment Lid Lock Striker Anchor	12.237
40	Panel, Rear End	12.966
41	Pocket, Tail Lamp Opening	12.943
42	Filler, Back Window Lower Corner	12.964
43	Reinforcement, Body Lock Pillar	12.942
44	Gutter, Rear Compartment Lid Side	12.996

* Component of Wheelhouse Panel Assembly
Component of Rear Compartment Pan Assembly
% Does not include Lid Hinge Support and Strap



CONVERTIBLE BODY SHEET METAL
(TYPICAL)

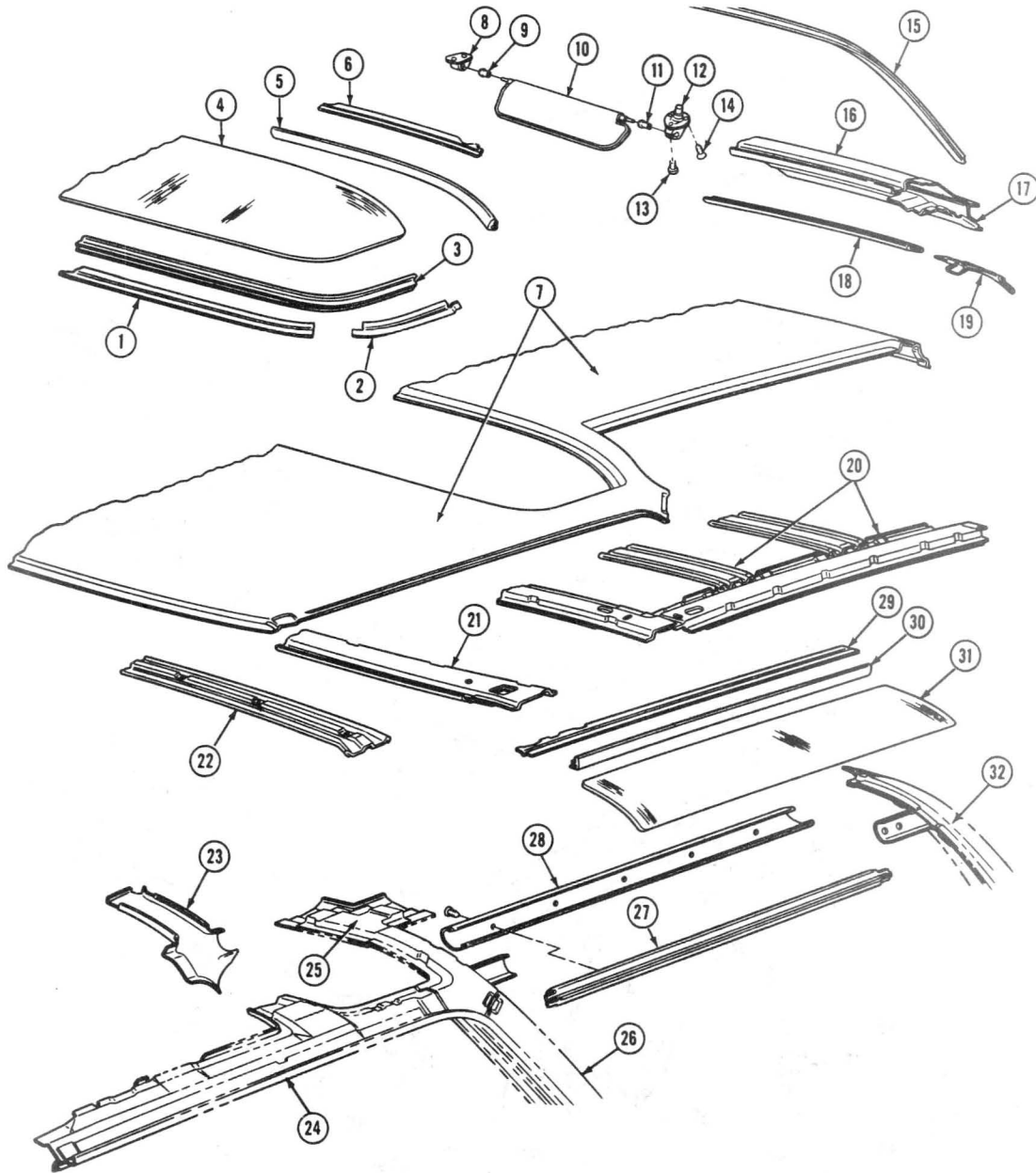
Key	Description	Group	Key	Description	Group
1	Panel, Shroud Lower Side	12.804	20	Brace, Rear Compartment Gutter to Compartment Pan	12.996
2	Panel, Shroud Vent Side Duct	12.804	21	Panel, Rear End	12.966
3	Panel, Instrument	10.230	22	Plate, Trunk Compartment Lid Lock Striker Anchor	12.237
4	Panel, Upper Dash and Duct	12.804	23	Pocket, Tail Lamp Opening	12.943
5	Frame, Windshield Upper	12.808	24	Support, Trunk Compartment Lid Hinge	12.184
6	Panel, Dash—Lower	12.804	25	Bar, Rear Cross	12.986
7	Brace, Convertible Top Compartment to Wheelhouse—Outer	12.768	26	Filler, Compartment Pan	12.981
8	Reinforcement, Rocker—Outer Panel	12.934	27	Panel, Wheelhouse	12.944
9	Pan, Floor	N.L.	28	Brace, Convertible Top Compartment Side to Wheelhouse—Outer	12.768
10	Brace, Body Lock Panel to Pan	12.684	29	Panel, Rocker—Inner	12.934
11	Lid, Rear Trunk Compartment	12.181	30	Brace, Body Lock Panel to Pan	12.684
12	Panel, Shroud Lower Side	12.804	31	Panel, Front Body Hinge Pillar	12.840
14	Panel, Convertible Top Compartment—Rear	12.989	32	Reinforcement, Front Body Hinge Pillar to Duct	12.659
15	Pan, Rear Compartment	12.981	33	Panel, Rear Quarter Side—Outer	12.940
16	Filler, Convertible Top Compartment Side Panel to Wheelhouse	12.768	34	Panel, Front Door—Outer	12.895
17	Gutter, Rear Compartment Lid Side	12.996	35	Door, Front	10.351
18	Strap, Trunk Compartment Lid Hinge	12.187	36	Panel, Door Opening Rocker—Outer	12.934
19	Panel, Rear Compartment—Front	12.971	37	Panel, Rear Quarter—Inner—Front	12.941



**STATION WAGON BODY SHEET METAL
(TYPICAL)**

Key	Description	Group
1	Panel, Upper Dash and Duct	12.804
2	Panel, Instrument	10.230
3	Frame, Windshield—Inner—Upper	12.807
4	Bow, Roof—No. 1	12.952
5	Bow, Roof—No. 2	12.952
6	Bow, Roof—No. 3	12.952
7	Panel, Back Body Opening—Upper	12.968
8	Panel, Roof	12.810
9	Panel, Shroud Lower Side	12.804
10	Panel, Shroud Vent Side Duct	12.804
11	Panel, Front Door—Outer	12.895
12	Door, Front	10.351
13	Door, Rear	10.373
14	Panel, Rear Door—Outer	12.913
15	Panel, Front Body Hinge Pillar	12.840
16	Pillar, Center Hinge	12.491
17	Panel, Door Opening Rocker—Outer	12.934
18	Panel, Body Lock Pillar—Outer—Upper	12.942
19	Panel, Body Lock Pillar—Upper	12.942
20	Panel, Body Lock Pillar—Lower	12.942
21	Rail, Side Roof—Inner	12.957
22	Rail, Side Roof—Outer	12.956
23	Panel, Dash—Lower	12.804

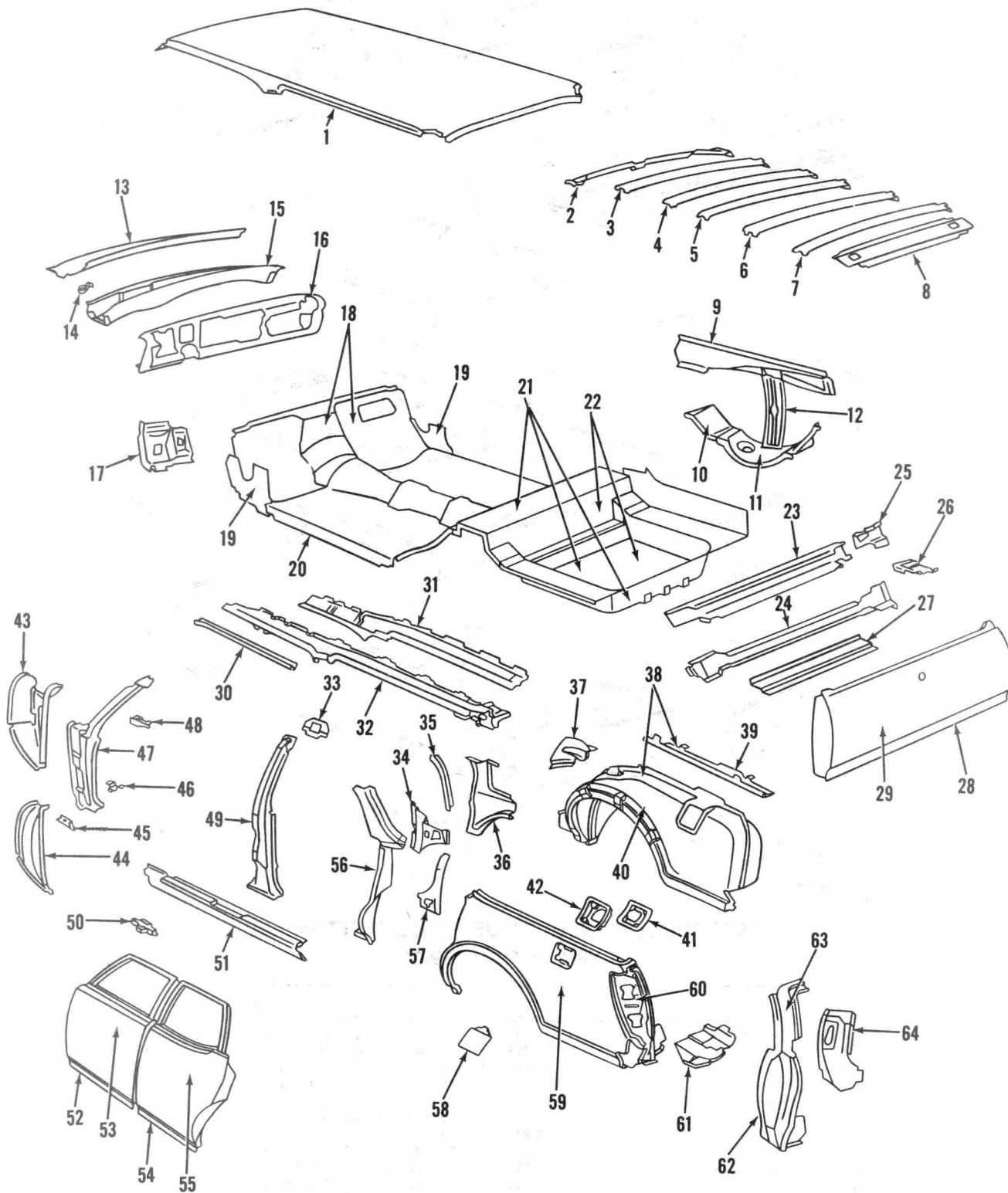
Key	Description	Group
24	Pan, Floor	N.L.
25	Panel, Rocker—Inner	12.934
26	Moulding, Roof Drip—Front	12.075
27	Moulding, Roof Drip—Rear	12.075
28	Panel, Rear Quarter—Inner	12.941
29	Panel, Wheelhouse	12.944
30	Panel, Rear Quarter Side—Outer	12.940
31	Filler, Compartment Pan	12.981
32	Pan, Rear Compartment	12.981
33	Filler, Gas Tank Door Opening	12.945
34	Bar, Rear Cross—Front	12.986
35	Bar, Rear Cross—Rear	12.986
36	Support, Spare Tire	12.980
37	Pocket, Spare Tire	12.981
38	Gate, Tail	12.179
39	Panel, Tail Gate—Outer	12.179
40	Panel, Back Body Pillar—Outer—Upper	12.968
41	Panel, Back Body Pillar	12.968
42	Panel, Rear Quarter Side Outer Extension	12.940
43	Pocket, Tail Lamp Opening	12.943
44	Filler, Quarter Outer Panel Rear Lower Corner	12.940
45	Reinforcement, Back Body Opening Upper Panel—Side	12.968



**1968 VISTA CRUISER ROOF PANEL SHEET METAL
(TYPICAL OF 1969-72)**

Key	Description	Group
1	RETAINER, Skylight Trim Front Center	14.651
2	RETAINER, Skylight Trim Front Side	14.651
3	LACE, Skylight Finishing Front	14.650
4	GLASS, Front Skylight	12.811
5	LACE, Skylight Finishing Rear	14.650
6	RETAINER, Skylight Trim Rear	14.651
7	PANEL, Roof	12.810
8	RETAINER, Skylight Sunshade Rod	10.219
9	GROMMET, Skylight Sunshade Rod	10.224
10	SUNSHADE ASSY., Skylight	10.205
11	SLEEVE, Sunshade Support Plastic	10.219
12	SUPPORT ASSY., Skylight Sunshade	10.219
13	SCREW, Skylight Sunshade Support to Rod	8.977
14	SCREW, Skylight Sunshade Support to Panel	8.977
15	LACE, Tail Gate Opening Finishing	14.650
16	REINFORCEMENT, Back Body Opening Upper Panel	12.968
17	PANEL ASSY., Back Body Opening Upper	12.968

Key	Description	Group
18	MOULDING, Rear Roof Headlining Rear Finishing	14.651
19	MOULDING, Side Skylight Rear Garnish	11.130
20	FRAME ASSY., Skylight	12.809
21	FRAME ASSY., Front Skylight Inner Front	12.809
22	BOW, Front Roof Auxiliary	12.952
23	MOULDING, Front Skylight Side Finish Rear	11.130
24	RAIL ASSY., Side Roof	12.956
25	PANEL ASSY., Body Lock Pillar Inner Upper	12.942
26	PANEL ASSY., Body Lock Pillar Outer	12.942
27	BAR ASSY., Side Skylight & Quarter Window Division	12.957
28	MOULDING, Quarter Window Upper & Side Skylight Lower Garnish	11.119
29	RETAINER, Side Skylight Trim Upper	14.651
30	LACE, Side Skylight Finishing	14.650
31	GLASS, Side Skylight	12.811
32	PANEL ASSY., Back Body Pillar	12.968

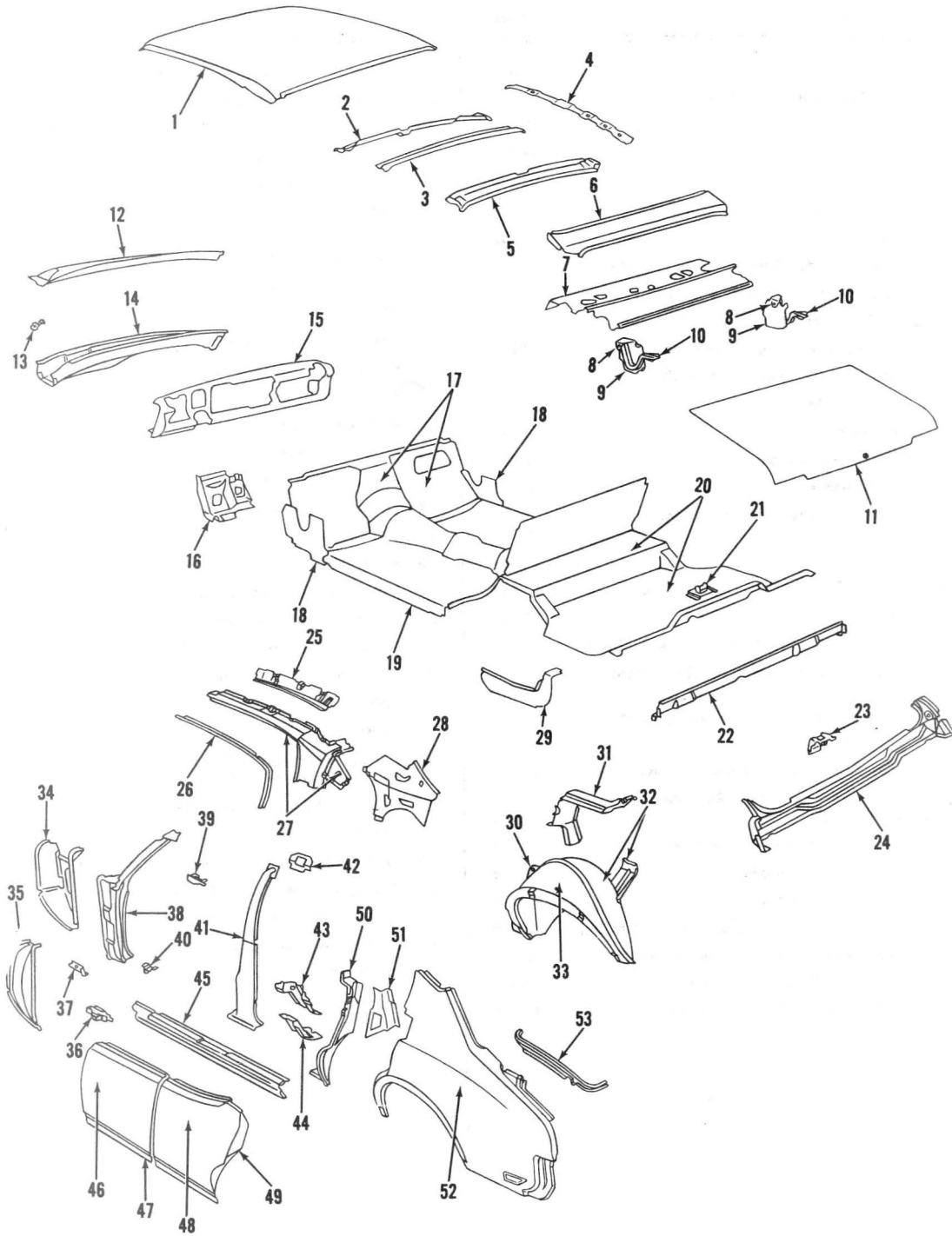


1970 F85 STATION WAGON BODY SHEET METAL (3535-36, 3635-36)
TYPICAL OF 1971-72

**1970 F-85 STATION WAGON BODY SHEET METAL
(3535-36, 3635-36) TYPICAL OF 1971-72**

Key	Description	Group
1	PANEL, Roof	12.810
2	FRAME ASSY., Windshield Inner Upper	12.807
3	BOW, Roof No. 1	12.952
4	BOW, Roof No. 2	12.952
5	BOW, Roof No. 3	12.952
6	BOW, Roof No. 4	12.952
7	BOW, Roof No. 5	12.952
8	PANEL, ASSY., Back Body Opening Upper Centre	12.968
9	PANEL, Rear Quarter Inner (Component Item 38)	12.941
10	POCKET, Spare Tire Front (Component Item 38)	12.981
11	POCKET, Spare Tire Rear (Component Item 38)	12.981
12	SUPPORT, Spare Tire (Component Item 38)	12.981
13	PANEL ASSY., Cowl Upper	12.804
14	SUPPORT, Windshield Glass	10.027
15	PANEL ASSY., Cowl Centre Duct	12.804
16	PANEL, ASSY., Instrument	10.230
17	BRACE ASSY., Dash to Chassis Frame (Component Item 18)	12.650
18	PANEL ASSY., Dash (Incl. Item 17)	12.804
19	REINFORCEMENT, Front Body Hinge Pillar to Rocker	12.659
20	PANEL, Rocker Inner	12.934
21	PAN ASSY., Rear Compartment (Incl. Items 22-23-24)	12.981
22	PAN ASSY., Rear Compartment Rear (Component Item 21)	12.981
23	BAR ASSY., Rear Cross Front (Component Item 21) (Incl. Items 25-26)	12.986
24	BAR ASSY., Rear Cross Rear (Component Item 21)	12.986
25	EXTENSION, Rear Cross Bar Front Rt. Side (Component Item 23)	12.986
26	FILLER, Rear Cross Bar End (Component Item 23)	12.986
27	FILLER, Rear Cross Bar to Bumper	12.986
28	GATE ASSY., Tail (Incl. Item 29)	12.179
29	PANEL, ASSY., Tail Gate Outer (Component Item 28)	12.179
30	MOULDING, Roof Drip Front (Component Item 32)	12.075
31	RAIL, Side Roof Inner (Component Item 32)	N.S.S.
32	RAIL ASSY., Side Roof (Incl. Item 30-31)	12.956

Key	Description	Group
33	EXTENSION, Centre Pillar Inner Panel	12.491
34	EXTENSION, Body Lock Pillar Outer Upper Panel	12.942
35	MOULDING, Roof Drip Rear (Component Item 56)	12.075
36	PANEL ASSY., Body Lock Pillar Inner Upper	12.942
37	BRACE, Wheelhouse Inner Panel to Pan	12.944
38	PANEL ASSY., Wheelhouse (Incl. Items 9-10-11-12-39-40-57)	12.944
39	RAIL, Rear Quarter Belt Left Side (Component Item 38)	12.428
40	PANEL, Wheelhouse Outer (Component Item 38)	12.944
41	POCKET ASSY., Gas Tank Filler Neck	12.945
42	FILLER, Gas Tank Door Opening	12.945
43	PANEL, Cowl Side Duct	12.804
44	PANEL, Cowl Lower	12.804
45	REINFORCEMENT, Front Fender Lower Support	8.141
46	SUPPORT ASSY., Front Fender on Dash	8.141
47	PANEL ASSY., Front Body Hinge Pillar	12.840
48	SUPPORT, Instrument Panel End	10.230
49	PILLAR ASSY., Centre	12.491
50	REINFORCEMENT, Front Door Outer Panel at Vent	10.657
51	PANEL, Door Opening Rocker Outer	12.934
52	DOOR ASSY., Front (Incl. Item 53)	10.351
53	PANEL ASSY., Front Door Outer (Component Item 52) ..	12.895
54	DOOR ASSY., Rear (Incl. Item 55)	10.373
55	PANEL ASSY., Rear Door Outer (Component Item 54)	12.913
56	PANEL ASSY., Body Lock Pillar Outer (Incl. Item 35)	12.942
57	PANEL, Body Lock Pillar Inner Lower (Component Item 38)	12.942
58	DOOR ASSY., Gas Tank Filler	12.945
59	PANEL, Rear Quarter Side Outer	12.940
60	PANEL, Rear Quarter Side Outer Extension	12.940
61	FILLER, Quarter Outer Panel Rear Lower Corner	12.940
62	PANEL ASSY., Back Body Pillar	12.968
63	PANEL, Back Body Pillar Outer Upper	12.968
64	PANEL, Back Body Pillar Inner Lower	12.968



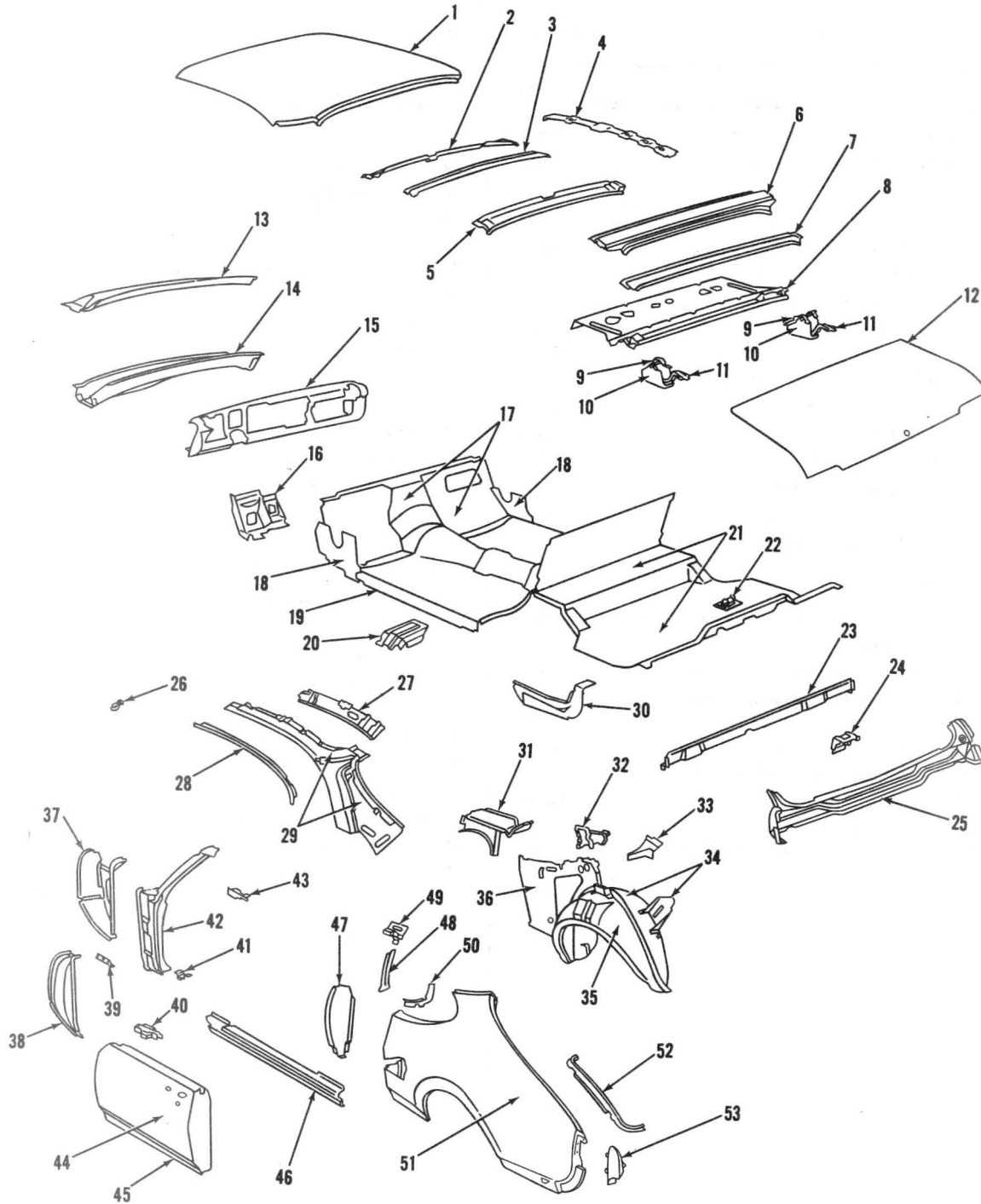
**1970 F85 HOLIDAY SEDAN AND TOWN SEDAN
BODY SHEET METAL (STYLES 39 & 69)
TYPICAL OF 1971-72**

**1970 F-85 HOLIDAY SEDAN AND TOWN SEDAN
BODY SHEET METAL STYLES 39 & 69
(TYPICAL OF 1971-72)**

TYPICAL OF 1969-72

Key	Description	Group
1	PANEL, Roof	12.810
2	FRAME ASSY., Windshield Inner Upper	12.807
3	BOW, Roof	12.952
4	BOW, Roof Longitudinal	12.952
5	PANEL, Back Window Inner	12.964
6	PANEL, Rear Compartment Front	12.971
7	PANEL, Rear Seat to Back Window	12.971
8	PIN, Rear Compartment Lid Hinge	12.186
9	SUPPORT, Rear Compartment Lid Hinge	12.184
10	STRAP & LINK, Rear Compartment Lid Hinge	12.187
11	LID ASSY., Rear Compartment	12.181
12	PANEL ASSY., Cowl Upper	12.804
13	SUPPORT, Windshield Glass	10.027
14	PANEL ASSY., Cowl Centre Duct	12.804
15	PANEL ASSY., Instrument	10.230
16	BRACE ASSY., Dash to Chassis Frame (Component Item 17)	12.650
17	PANEL ASSY., Dash (Incl. Item 16)	12.804
18	REINFORCEMENT, Front Body Hinge Pillar to Rocker	12.659
19	PANEL, Rocker Inner	12.934
20	PAN ASSY., Rear Compartment (Incl. Items 21-22)	12.981
21	SUPPORT, Spare Tire Clamp Anchor Plate (Component Item 20)	12.981
22	BAR ASSY., Rear Cross (Component Item 20)	12.986
23	PLATE, Compartment Lid Lock Striker Anchor	12.237
24	PANEL, Rear End	12.966
25	RAIL, Side Roof Inner (Component Item 27)	N.S.S.
26	MOULDING, Roof Drip (Component Item 27)	12.075

Key	Description	Group
27	RAIL ASSY., Side Roof (Incl. Items 25-26)	12.956
28	PANEL, Rear Quarter Inner Lower	12.941
29	FILLER, Compartment Pan to Quarter Panel	12.981
30	PANEL, Body Lock Pillar Inner Lower (Component Item 32)	12.942
31	EXTENSION, Rear Seat to Back Window Panel	12.971
32	PANEL ASSY., Wheelhouse (Incl. Items 30-33)	12.944
33	PANEL, Wheelhouse Outer (Component Item 32)	12.944
34	PANEL, Cowl Side Duct	12.804
35	PANEL, Cowl Lower	12.804
36	REINFORCEMENT, Front Door Outer Panel at Vent	10.657
37	REINFORCEMENT, Front Fender Lower Support	8.141
38	PANEL ASSY., Front Body Hinge Pillar	12.840
39	SUPPORT, Instrument Panel End	10.230
40	SUPPORT ASSY., Front Fender on Dash	8.141
41	PILLAR ASSY., Centre	12.491
42	EXTENSION, Centre Pillar Inner Panel	12.491
43	BRACE, Centre Pillar to Floor Lower	12.491
44	REINFORCEMENT, Floor Pan to Centre Pillar	12.491
45	PANEL, Door Opening Rocker Outer	12.934
46	PANEL ASSY., Front Door Outer (Component Item 47)	12.895
47	DOOR ASSY., Front (Incl. Item 46)	10.351
48	PANEL ASSY., Rear Door Outer (Component Item 49)	12.913
49	DOOR ASSY., Rear (Incl. Item 48)	10.373
50	PANEL, Body Lock Pillar Outer Lower	12.942
51	REINFORCEMENT, Body Lock Pillar to Lock Striker	12.942
52	PANEL, Rear Quarter Side Outer	12.940
53	GUTTER, Rear Compartment Lid Side	12.996



**1970 F85 HOLIDAY SEDAN AND TOWN SEDAN
BODY SHEET METAL (STYLES 57-67-77-87)
TYPICAL OF 1971-72**

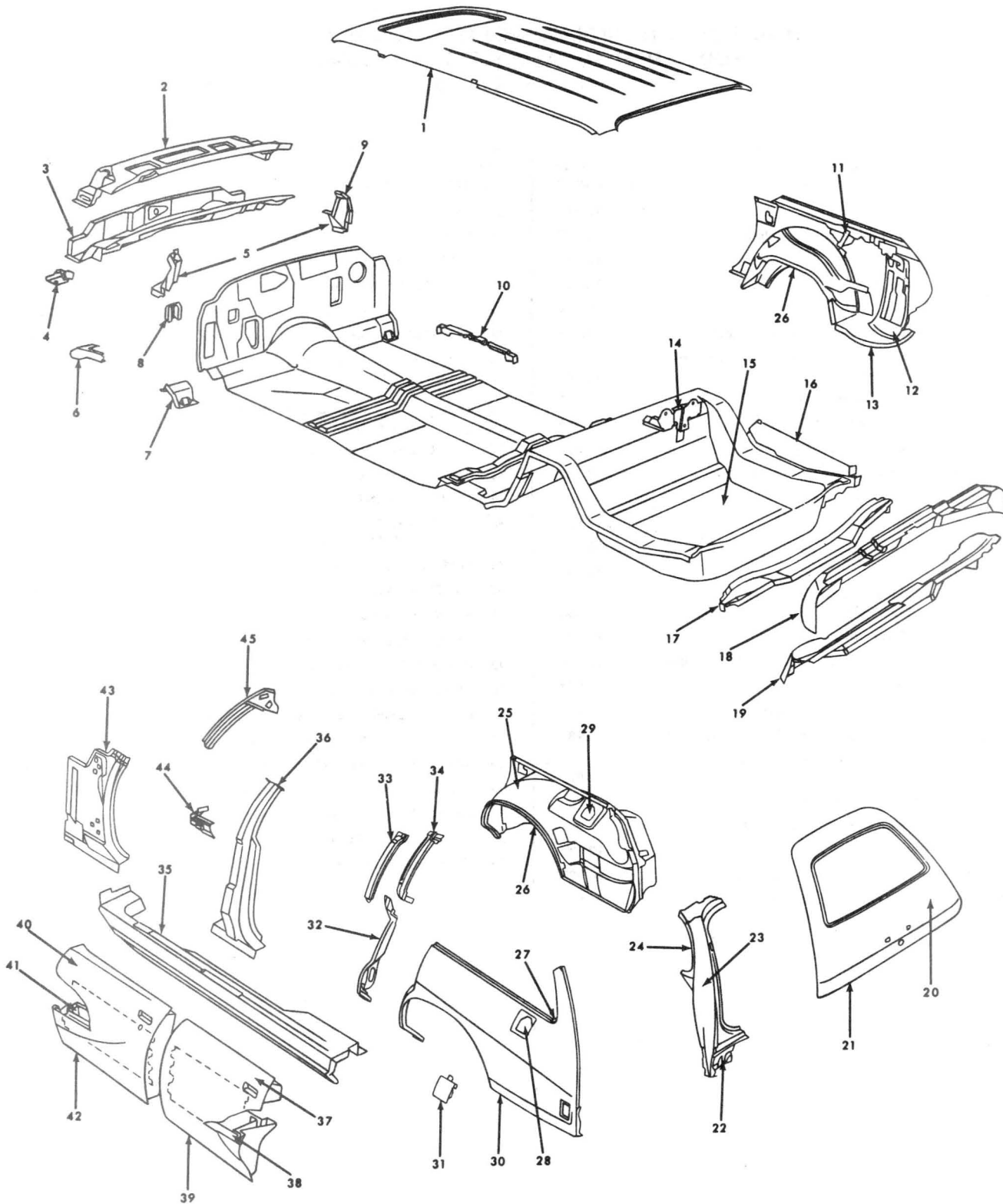
1970 F-85 CONVERTIBLE, SPORTS & HOLIDAY COUPE
BODY SHEET METAL (STYLES 57-67-77-87)
(TYPICAL OF 1971-72)

Key	Description	Group
1	PANEL, Roof	12.810
2	FRAME ASSY., Windshield Inner Upper	12.807
3	BOW, Roof	12.952
4	BOW, Roof Longitudinal	12.952
5	PANEL, Back Window Inner	12.964
6	PANEL, Rear Compartment Front (57 Styles)	12.971
7	REINFORCEMENT ASSY., Rear Seat to Back Window Panel (77-87 Styles)	12.971
8	PANEL, Rear Seat to Back Window	12.971
9	PIN, Rear Compartment Lid Hinge	12.186
10	BOX, Rear Compartment Lid Hinge	12.184
11	STRAP & LINK, Rear Compartment Lid Hinge	12.187
12	LID ASSY., Rear Compartment	12.181
13	PANEL ASSY., Cowl Upper	12.804
14	PANEL ASSY., Cowl Centre Duct	12.804
15	PANEL ASSY., Instrument	10.230
16	BRACE ASSY., Dash to Chassis Frame (Component Item 17)	12.650
17	PANEL ASSY., Dash (Incl. Item 16)	12.804
18	REINFORCEMENT, Front Body Hinge Pillar to Rocker	12.659
19	PANEL, Rocker Inner	12.934
20	REINFORCEMENT, Floor Pan at Lock Pillar	12.942
21	PAN ASSY., Rear Compartment (Incl. Items 22-23)	12.981
22	SUPPORT, Spare Tire Clamp Anchor Plate (Component Item 21)	12.981
23	BAR ASSY., Rear Cross (Component Item 21)	12.986
24	PLATE, Compartment Lid Lock Striker Anchor	12.237
25	PANEL, Rear End	12.966
26	SUPPORT, Windshield Glass	10.027
27	RAIL, Side Roof Inner (Component Item 29)	N.S.S.

Key	Description	Group
28	MOULDING, Roof Drip (Component Item 29)	12.075
29	RAIL ASSY., Side Roof (Incl. Items 27-28)	12.956
30	FILLER, Compartment Pan to Quarter Panel	12.981
31	EXTENSION, Rear Seat to Back Window Panel	12.971
32	BRACE, Body Lock Pillar to Floor Pan	12.684
33	EXTENSION, Quarter Inner Panel Rear	12.941
34	PANEL ASSY., Wheelhouse (Incl. Items 35-36)	12.944
35	PANEL, Wheelhouse Outer (Component Item 34)	12.944
36	PANEL ASSY., Rear Quarter Inner Lower (Component Item 34)	12.941
37	PANEL, Cowl Side Duct	12.804
38	PANEL, Cowl Lower	12.804
39	REINFORCEMENT, Front Fender Lower Support	8.141
40	REINFORCEMENT, Front Door Outer Panel at Vent (77 Styles)	10.657
41	SUPPORT ASSY., Front Fender on Dash	8.141
42	PANEL ASSY., Front Body Hinge Pillar	12.840
43	SUPPORT, Instrument Panel End	10.230
44	PANEL ASSY., Front Door Outer (Component Item 5)	12.895
45	DOOR ASSY., Front (Incl. Item 44)	10.351
46	PANEL, Door Opening Rocker Outer	12.934
47	REINFORCEMENT, Body Lock Pillar Lower	12.942
48	PANEL ASSY., Body Lock Pillar Upper (77 Styles)	12.942
49	BRACE, Body Lock Pillar to Roof Rail (77 Styles)	12.684
50	FILLER, Quarter Window Lower Rear Corner	12.941
51	PANEL, Rear Quarter Side Outer	12.940
52	GUTTER, Rear Compartment Lid Side	12.996
53	EXTENSION, Quarter Outer at Tail Lamp (57 Styles)	12.940

GM

F85
OLDSMOBILE
PARTS CATALOGUE

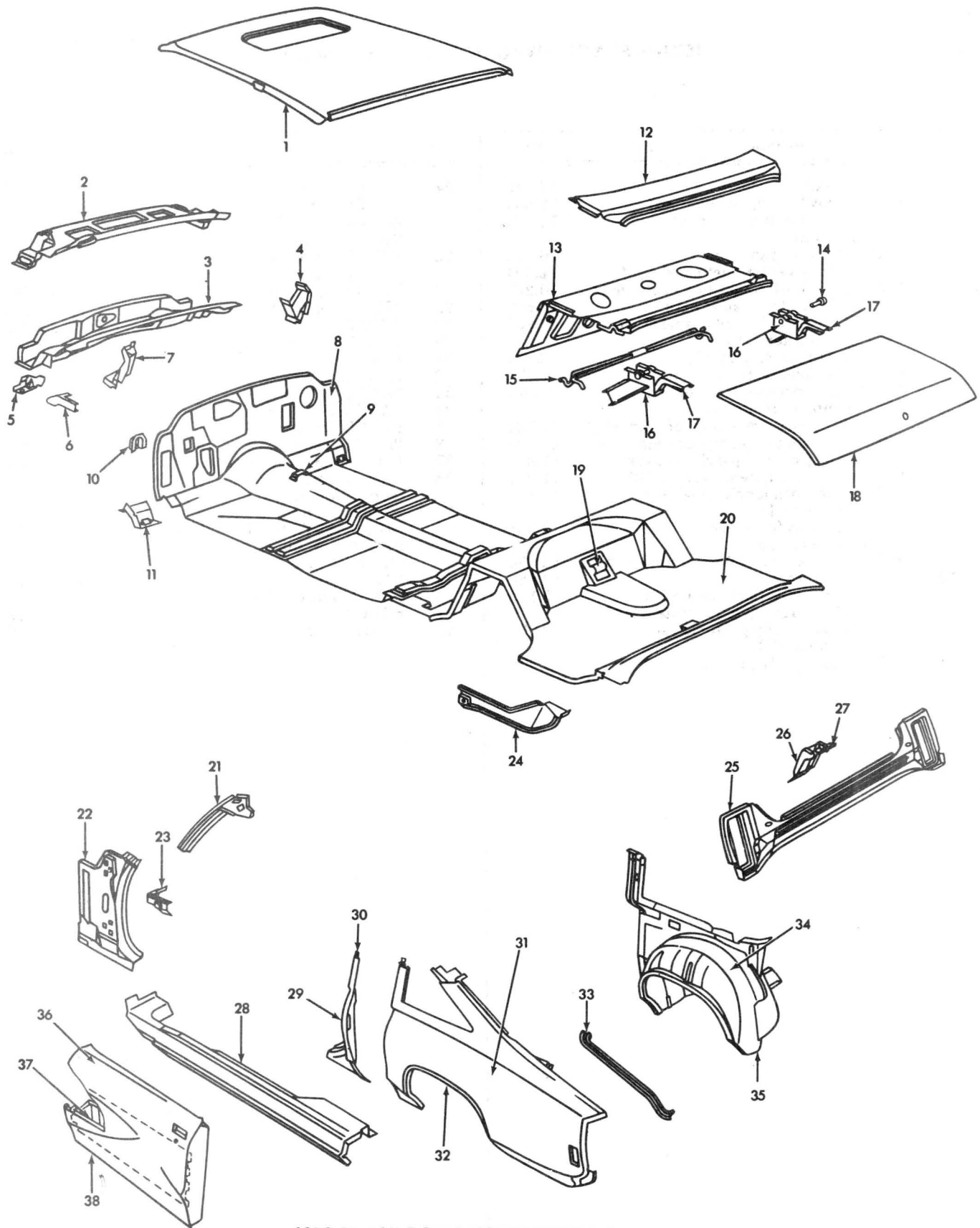


1973-76 STATION WAGON BODY SHEET METAL (-35)

1973-76 STATION WAGON BODY SHEET METAL (-35)

Key	Description	Group
1	PANEL, roof	12.810
2	PANEL, cowl (comp. of item #3)	12.804
3	PANEL, cowl vent center duct (incl. item #2)	12.804
4	SUPPORT, inst. panel end	10.230
5	EXTENSION, center duct panel reinf.	12.804
6	EXTENSION, I/P support on center duct	10.230
7	EXTENSION, floor pan at dash	12.650
8	REINFORCEMENT, dash panel at frt. fdr. (comp. of item #9)	12.804
9	PANEL, dash (incl. item #8)	12.804
10	SUPPORT, filler rr. floor qtr. panel	12.977
11	RETAINER, stowage jack column— front (comp. of item #25)	12.981
12	SUPPORT, spare tire (comp. of item #25)	12.981
13	POCKET, spare tire (comp. of item #25)	12.981
14	PLATE, lugg. compt. panel pivot supt.	12.981
15	PAN, compt. (incl. items #16,17,18)	12.981
16	BAR, compt. pan longitudinal rear (comp. of item #15)	12.981
17	BAR, rear cross frt. lower (comp. of item #15)	12.986
18	BAR, rear cross frt. (comp. of item #15)	12.986
19	BAR, rear cross rear	12.986
20	GATE ASSY., tail (incl. item #21)	12.179
21	PANEL, T.G. outer (comp. of item #20)	12.179
22	FILLER, back body pillar—lower (comp. of item #23)	12.968
23	PANEL, back body pillar outer (incl. item #22)	12.968

Key	Description	Group
24	PANEL, inner	12.968
25	PANEL ASSY., wheelhouse (RH-incl. items #11,12,13,26)(LH-incl. items #26,29)	12.944
26	PANEL, wheelhouse outer (comp. of item #25)	12.944
27	FILLER, qtr. wind. lwr. corner	12.941
28	FILLER, gas tank door opening	12.945
29	POCKET, filler neck (comp. of item #25)	12.945
30	PANEL, qtr. outer	12.940
31	DOOR ASSY., gas tank filler	12.945
32	PANEL, outer lower	12.942
33	PANEL, outer upper	12.942
34	PANEL, inner upper	12.942
35	PANEL, rocker	12.934
36	PILLAR, center	12.941
37	DOOR ASSY., M. (incl. items #38-39)	10.373
38	BAR, M. dr., outer panel (comp. of item #37)	12.913
39	PANEL, M. dr. outer (comp. of item #37)	12.913
40	DOOR ASSY., frt. (incl. items #41-42)	10.351
41	BAR, frt. dr. outer panel (comp. of item #40)	12.895
42	PANEL, frt. dr. outer (comp. of item #40)	12.895
43	PANEL, hinge pillar—lower	12.840
44	BRACE, to rocker	12.659
45	PANEL, hinge pillar—upper	12.840

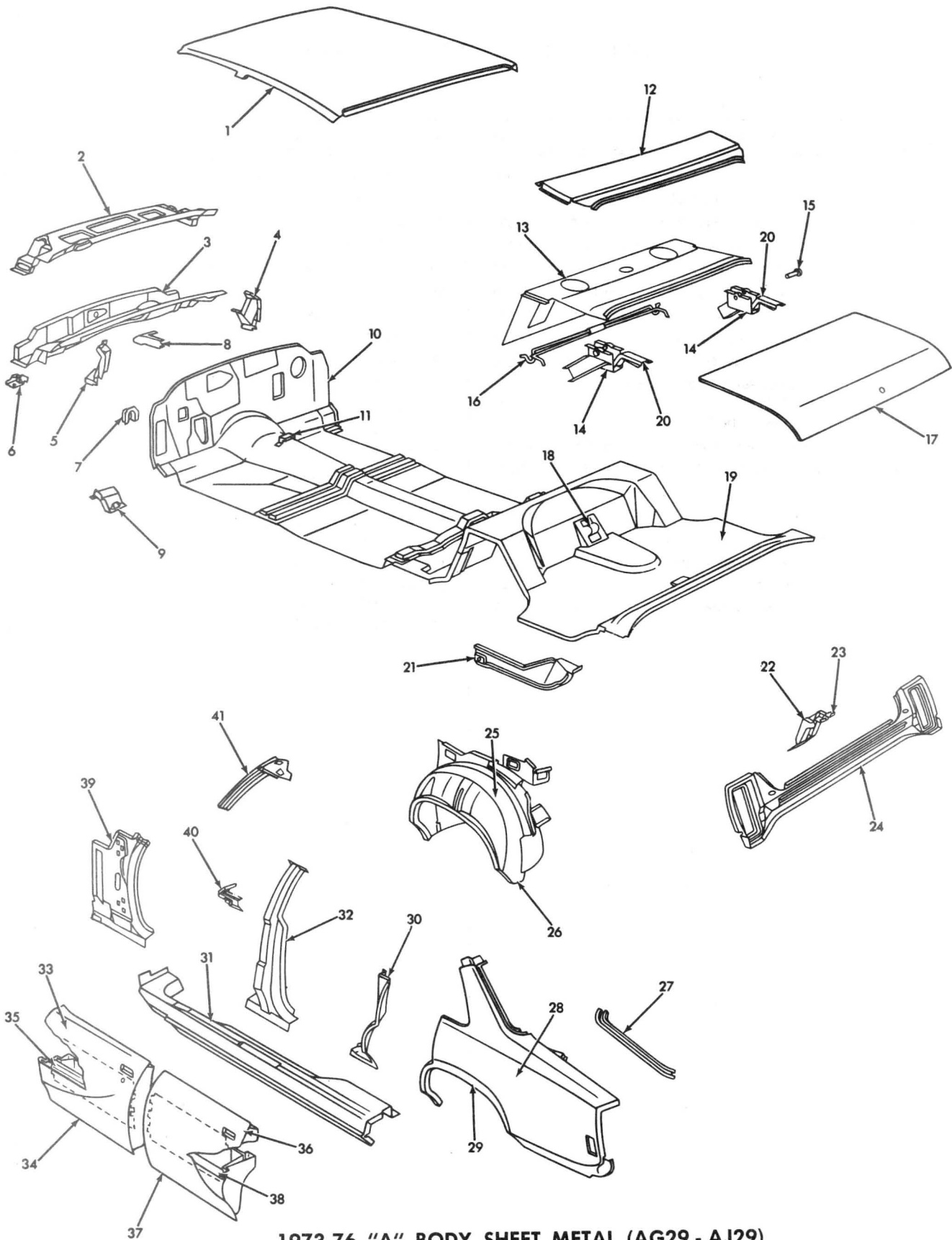


1973-76 "A" BODY SHEET METAL (-35 -57)

1973-76 BODY SHEET METAL (-37 -57)

Key	Description	Group
1	PANEL, Roof	12.810
2	PANEL ASSY., Shroud (Component of Item #3)	12.804
3	PANEL ASSY., Shroud Vent Center Duct (Incl. Item #2) ..	12.804
4	EXTENSION, Center Duct Panel Reinforcement — R.H.	12.804
5	SUPPORT, Instrument Panel End	10.230
6	EXTENSION, Instrument Panel Support on Center Duct	10.230
7	EXTENSION, Center Duct Panel Reinforcement — L.H.	12.804
8	PANEL ASSY., Dash (Incl. Item #10)	12.804
9	BRACKET, Console Floor Pan Front	10.240
10	REINFORCEMENT, Cowl Panel at Frt. Fender (Component of Item #8)	12.804
11	EXTENSION, Floor Pan at Dash	12.650
12	PANEL, Compartment Front (Component of Item #13)	12.971
13	PANEL, Rear Seat to Back Window (Incl. Item #12)	12.971
14	PIN, Lid Hinge	12.186
15	ROD, Lid Hinge Torque	12.187
16	BOX, Lid Hinge	12.184
17	STRAP AND LINK ASSY., Lid Hinge	12.187
18	LID ASSY., Compartment	12.181
19	PLATE, Spare Tire Clamp Anchor	12.981

Key	Description	Group
20	PAN ASSY., Compartment	12.981
21	PANEL, Hinge Pillar—Upper	12.840
22	PANEL, Hinge Pillar—Lower	12.840
23	BRACE, To Rocker	12.659
24	FILLER, Compartment Pan to Quarter Panel	12.981
25	PANEL, Rear End	12.966
26	PLATE, Lid Striker Anchor	12.237
27	STRIKER, Lid Lock	12.237
28	PANEL, Rocker	12.934
29	PANEL, Outer	12.942
30	EXTENSION, Inner Upper to Roof	12.942
31	PANEL, Quarter Outer (Incl. Item #32)	12.940
32	PANEL, Quarter Outer (Component of Item #31)	12.940
33	GUTTER, Lid Side	12.996
34	PANEL ASSY., Wheelhouse (Incl. Item #35)	12.944
35	PANEL ASSY., Wheelhouse Outer (Component of Item #34)	12.944
36	DOOR ASSY., Front (Incl. Items # 37 & #38)	10.351
37	BAR ASSY., Front Door Outer Panel (Component of Item #36)	12.895
38	PANEL, Front Door Outer (Component of Item #36)	12.895

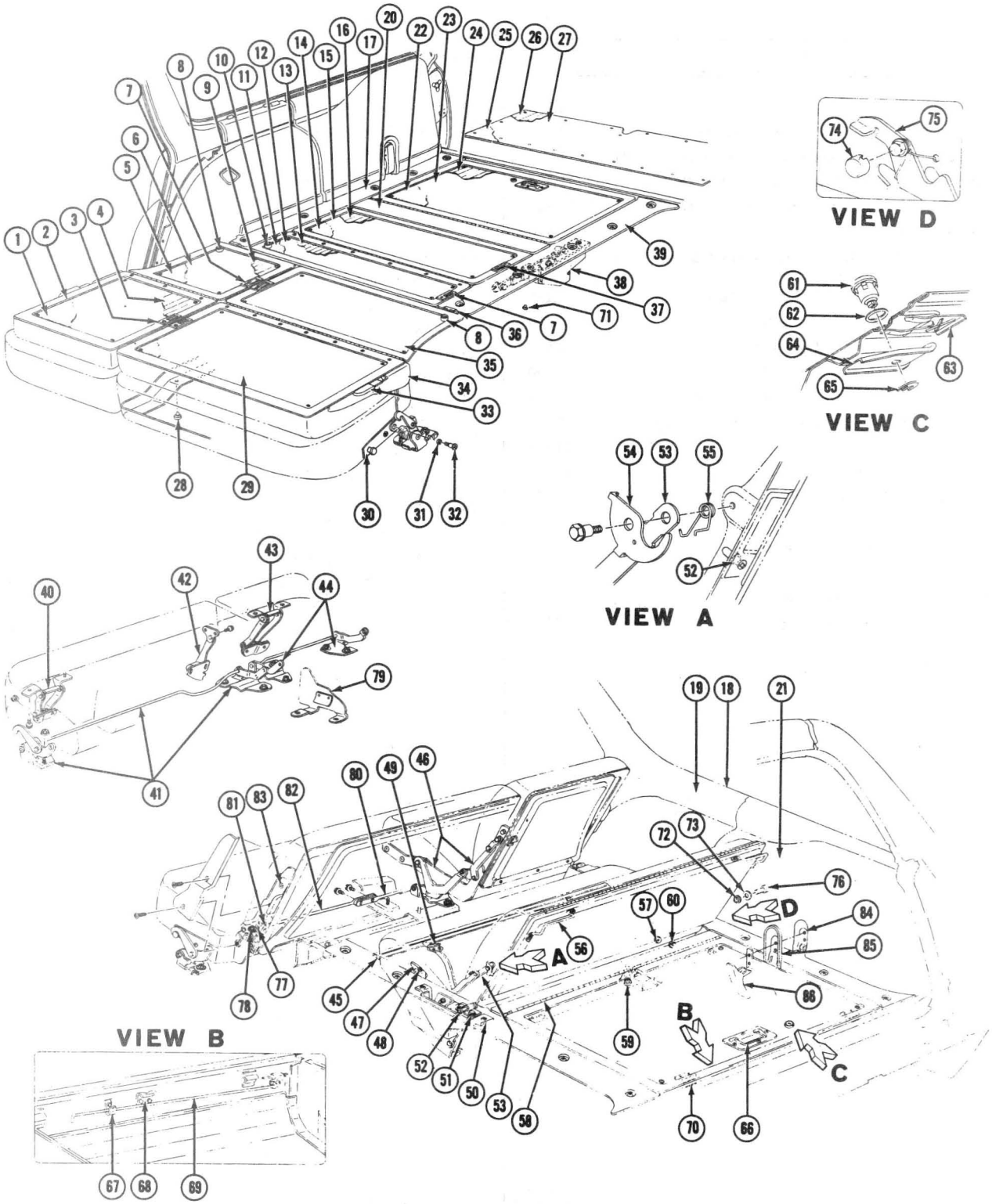


1973-76 "A" BODY SHEET METAL (AG29 - AJ29)

1973-76 "A" BODY SHEET METAL (AG29 - AJ29)

Key	Description	Group
1	PANEL, Roof	12.810
2	PANEL ASSY., Cowl (Comp. of Item #3)	12.804
3	PANEL ASSY., Cowl Vent Center Duct (Incl. Item #2)	12.804
4	EXTENSION, Center Duct Panel Reinf. — RH	12.804
5	EXTENSION, Center Duct Panel Reinf. — LH	12.804
6	SUPPORT, Inst. Panel End	10.230
7	REINFORCEMENT, Dash Panel at Front Door (Comp. of Item #10)	12.804
8	EXTENSION, I/P Supt. on Center Duct	10.230
9	EXTENSION, Floor Pan at Dash	12.650
10	PANEL ASSY., Dash (Incl. Item #7)	12.804
11	BRACKET, Console Floor Pan Front	10.240
12	PANEL, Compt. Front (Comp. of Item #73)	12.971
13	PANEL Rr. Seat to Back Wind. (Incl. Item #12)	12.971
14	BOX Rr. Compt. Lid Hinge	12.184
15	PIN, Compt. Lid Hinge	12.186
16	ROD, Compt. Lid Hinge Torque	12.187
17	LID Compt.	12.181
18	PLATE, Spare Tire Clamp Anchor	12.981
19	PAN, Rr. Compt.	12.981
20	STRAP & LINK, rr. Compt. Lid Hinge	12.187
21	FILLER, Compt. Pan to Quarter Panel	12.981

Key	Description	Group
22	PLATE, Lid Lock Striker Anchor	12.237
23	STRIKER, Lid Lock	12.237
24	PANEL ASSY., rr. End	12.966
25	PANEL ASSY., Wheelhouse (Incl. Item #26)	12.944
26	PANEL, Wheelhouse Outer (Comp. of Item #25)	12.944
27	GUTTER, Compt. Lid Side	12.996
28	PANEL ASSY., Quarter Outer (Incl. Item #29)	12.940
29	PANEL, Quarter Outer (Comp. of Item #28)	12.940
30	PANEL ASSY., Body Lock Pillar Outer	12.942
31	PANEL ASSY., Rocker	12.934
32	PILLAR, Center	12.491
33	DOOR ASSY., Front (Incl. Items #34-35)	10.351
34	PANEL, Front door Outer (Comp. of Item #33)	12.895
35	BAR, Front Door Outer Panel (Comp. of Item #33)	12.895
36	DOOR ASSY., Rear (Incl. Items #37-38)	10.373
37	PANEL, rr. Door Outer (Comp. of Item #36)	12.913
38	BAR, rr. Door Outer Panel (Comp. of Item #36)	12.913
39	PANEL ASSY., Front Body Hinge Pillar Lower	12.840
40	BRACE, Front Body Hinge Pillar to Rocker	12.659
41	PANEL ASSY., Front Body Hinge Pillar Upper	12.840



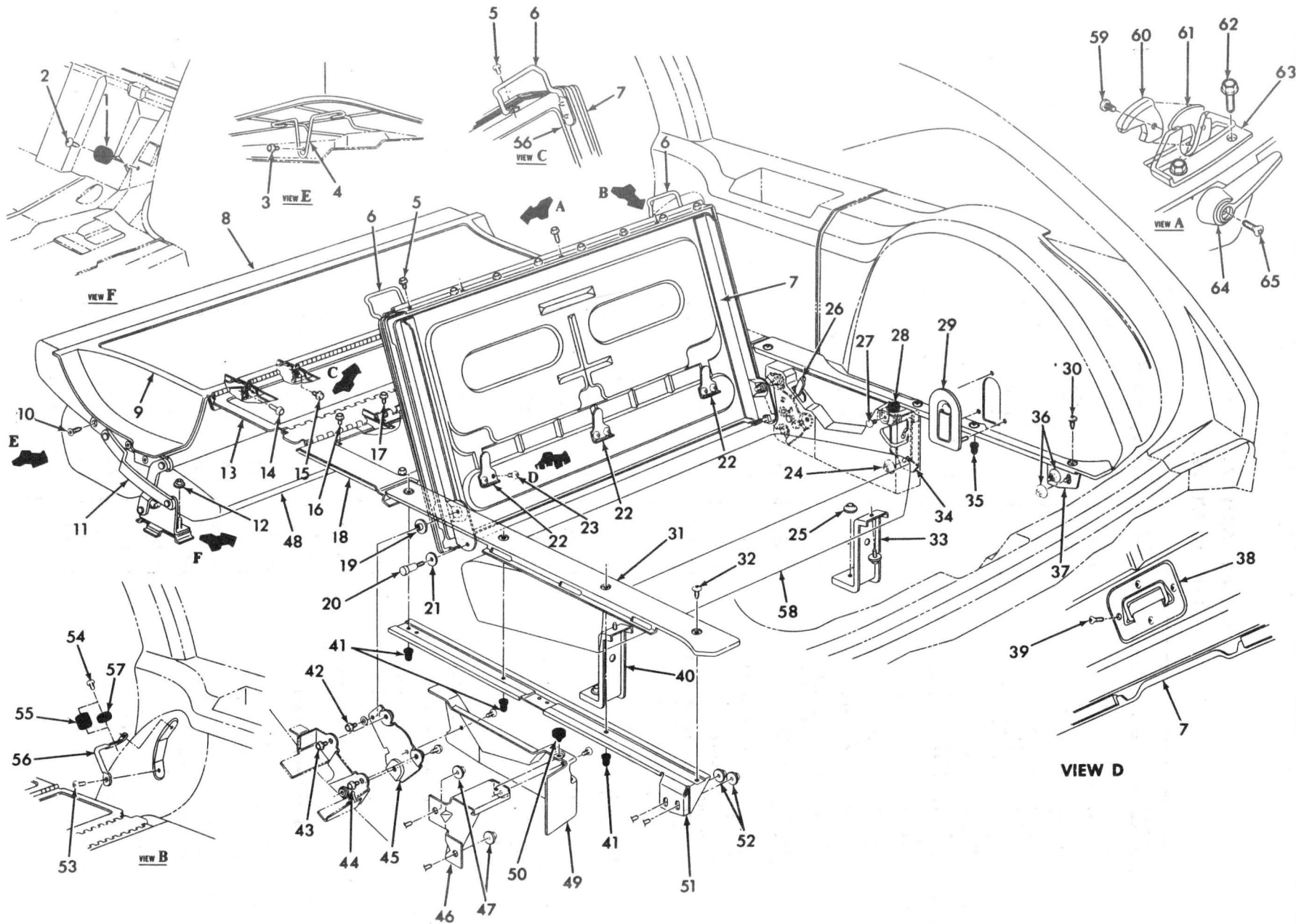
**1968-69/-65/LOAD FLOOR
TYPICAL OF 1970-72**



**1968-69/-65/LOAD FLOOR
TYPICAL OF 1970-72**

Key	Description	Group
1	CARPET, second seat back panel	15.320
2	PANEL, folding second seat back right	12.975
3	ESCUTCHEON, folding second seat back panel link	11.620
4	MAT, second seat back panel	15.311
5	CARPET, rear floor filler panel	15.320
6	PANEL, rear floor filler right	12.975
7	ESCUTCHEON, rear floor filler panel link	12.976
8	BUMPER, rear floor filler panel	12.977
9	MAT, rear floor filler panel	15.311
10	BUMPER, rear floor filler panel at kick-up	12.977
11	CARPET, rear floor filler panel at kick-up	15.320
12	PANEL, rear floor filler at kick-up	12.975
13	MAT, rear floor filler panel at kick-up	15.311
14	CARPET, third seat back panel	15.320
15	PANEL, folding third seat back	12.975
16	MAT, third seat back panel	15.311
17	PANEL, compartment side pan cover right	12.975
18	FILLER, spare tire cover panel extension right	12.579
19	PANEL, spare tire cover extension right	12.579
20	PANEL, luggage compartment filler	12.975
21	PANEL, spare tire cover right	12.579
22	CARPET, luggage compartment panel cover	15.320
23	PANEL, luggage compartment cover (incl. item 58)	12.975
24	MAT, luggage compartment panel cover	15.311
25	CARPET, tail gate inner cover panel	15.320
26	MAT, tail gate inner cover panel	15.311
27	PANEL, tail gate inner cover	12.195
28	BUMPER, folding second seat cushion frame inner bar left	11.620
29	PANEL, folding second seat back left	12.975
30	LINK, folding second seat back outer rear	11.620
31	BUSHING, second seat cushion rear link inner and outer	11.620
32	BOLT, second seat cushion rear link to outer rear link R & L	11.620
33	KNOB, folding second seat link lock handle	11.620
34	COVER, folding second seat outer link R & L	11.620
35	PANEL, rear floor filler left	12.975
36	BUMPER, folding second seat back retainer	11.381
37	ESCUTCHEON, folding third seat back panel link	11.620
38	SUPPORT, folding third seat cushion	11.620
39	PANEL, compartment side pan cover left	12.975
40	LINK, folding second seat cushion front outer	11.620
41	LINK, folding second seat cushion rear	11.620
42	LINK, folding second seat cushion front inner	11.620
43	LINK, folding second seat cushion front	11.620
44	LINK, folding second seat cushion rear	11.620

Key	Description	Group
45	MOLDING, compartment floor center at kick-up	12.976
46	LINK, folding second seat back rear	11.620
47	STRIKER, folding third seat back handle	12.977
48	BUMPER, folding third seat back support on pan	11.381
49	GUIDE, folding third seat cushion	11.620
50	RETAINER, folding third seat back hinge pin	11.620
51	SCREW, folding third seat back hinge pin	N.L.
52	BUSHING, folding third seat back hinge pin	11.620
53	LINK, folding third seat back left	11.620
54	RETAINER, rear floor filler, panel left up position	11.381
55	SPRING, rear floor filler panel retainer left	12.977
56	HANDLE, folding third seat back R & L	12.977
57	BUMPER, rear floor filler panel at kick-up	11.381
58	HINGE, luggage compartment cover	12.977
59	BUMPER, luggage compartment cover panel support	11.381
60	BUMPER, folding third seat back on seat	11.381
61	CYLINDER, luggage compartment lock	12.977
62	GASKET, luggage compartment lock cylinder	12.977
63	RETAINER, luggage compartment lock cylinder	12.977
64	PAWL, luggage compartment lock	12.977
65	RETAINER, luggage compartment lock pawl	12.977
66	HANDLE, luggage compartment cover	12.977
67	CLIP, luggage compartment cover support retainer	12.977
68	STRIKER, luggage compartment lock	12.977
69	SUPPORT, luggage compartment cover	12.977
70	CLIP, luggage compartment cover panel holding	12.977
71	BUMPER, folding third seat cushion support ride position	11.381
72	STRIKER, folding third seat back lock	11.620
73	WASHER, folding third seat back lock	11.620
74	COVER, folding third seat back lock	11.620
75	LOCK, folding third seat back lock	11.620
76	BUSHING, folding third seat back lock	11.620
77	BUSHING, second 2/3 seat back lock rod	11.377
78	NUT	8.915
79	COVER, second 2/3 seat belt protector at inner link	14.875
80	ROD, second 2/3 seat back locking inner	11.620
81	SPRING, second 2/3 seat back lock rod handle	11.620
82	ROD, second 2/3 seat back locking outer	11.620
83	SCREW, folding second seat back panel	N.L.
84	STRIKER, spare tire cover panel catch	12.579
85	PLATE, spare tire cover panel catch	12.579
86	CATCH, spare tire cover panel	12.579



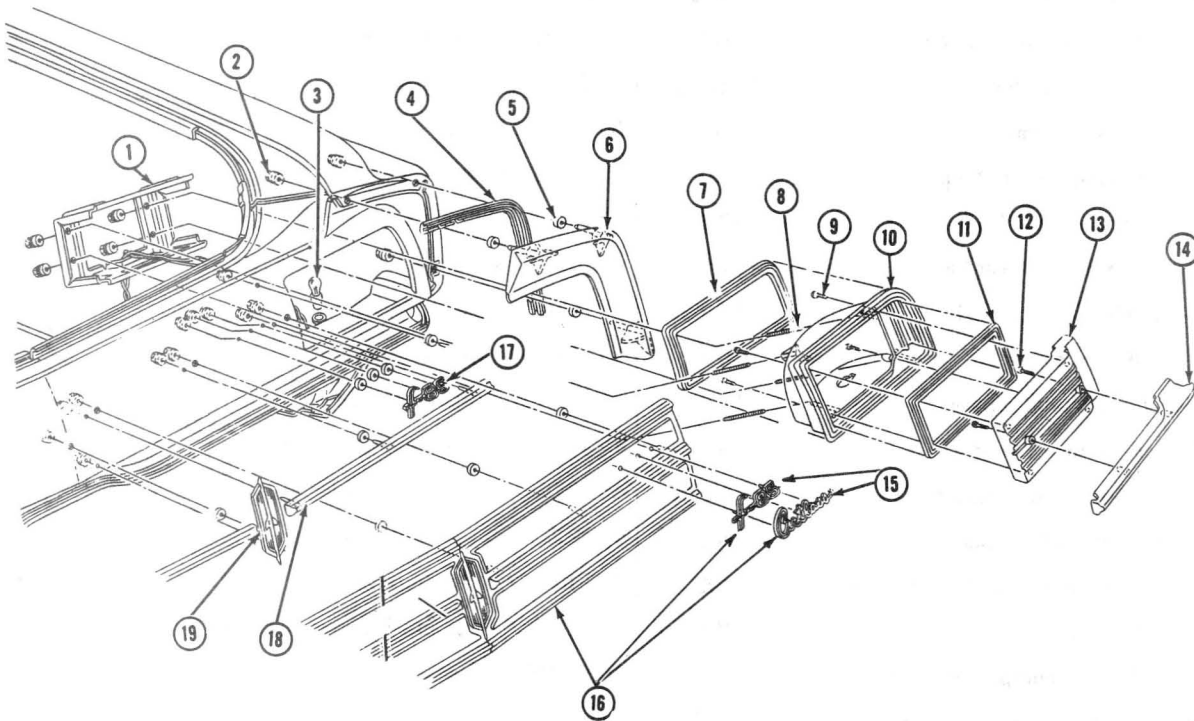
1973-74 VISTA CRUISER BODY LOAD FLOOR (AJ35)



1973-74 AJ35 LOAD FLOOR VISTA CRUISER

Key	Description	Group
1	BUMPER, 2nd seat bk. filler panel on floor	11.620
2	SCREW, bar to floor	N.L.
3	SCREW, cushion frame to pan	N.L.
4	FRONT BACK, cushion	14.878
5	SCREW, striker to panel	N.L.
6	STRIKER, lugg. compt. lock	12.977
7	PANEL, lugg. compt. front	12.975
8	CUSHION, fldg. 2nd seat back	11.610
9	PANEL, fldg. 2nd seat back	12.975
10	SCREW, link to panel	N.L.
11	LINK, 2nd seat mtg. support	11.620
12	NUT, link to anchor plate	N.L.
13	PANEL, fldg. 2nd seat back filler	12.975
14	SCREW, panel to floor pan	N.L.
15	SCREW, filler to fldg. seat back panel	N.L.
16	NUT, link to anchor plate	N.L.
17	SCREW, filler to compt. pan	N.L.
18	PANEL, compt. floor at kick-up	12.975
19	BUSHING, lugg. compt. panel pivot	11.620
20	STRIKER, fldg. 2nd seat back lock	11.620
21	WASHER, striker to panel	N.L.
22	RETAINER, fldg. 3rd seat back panel	11.620
23	SCREW, retainer to back panel	N.L.
24	NUT, stop to longitudinal bar	N.L.
25	NUT, support to plate	N.L.
26	LOCK ASSY., fldg. 3rd seat back	11.620
27	FASTENER, 2nd seat back lock cover	11.620
28	BUMPER, lugg. compt. panel stop	11.620
29	CATCH, spare tire cover panel	12.579
30	SCREW, filler to support	N.L.
31	FILLER, pan to w/house cover	12.981
32	SCREW, filler to support	N.L.
33	SUPPORT, 3rd seat cushion	11.620

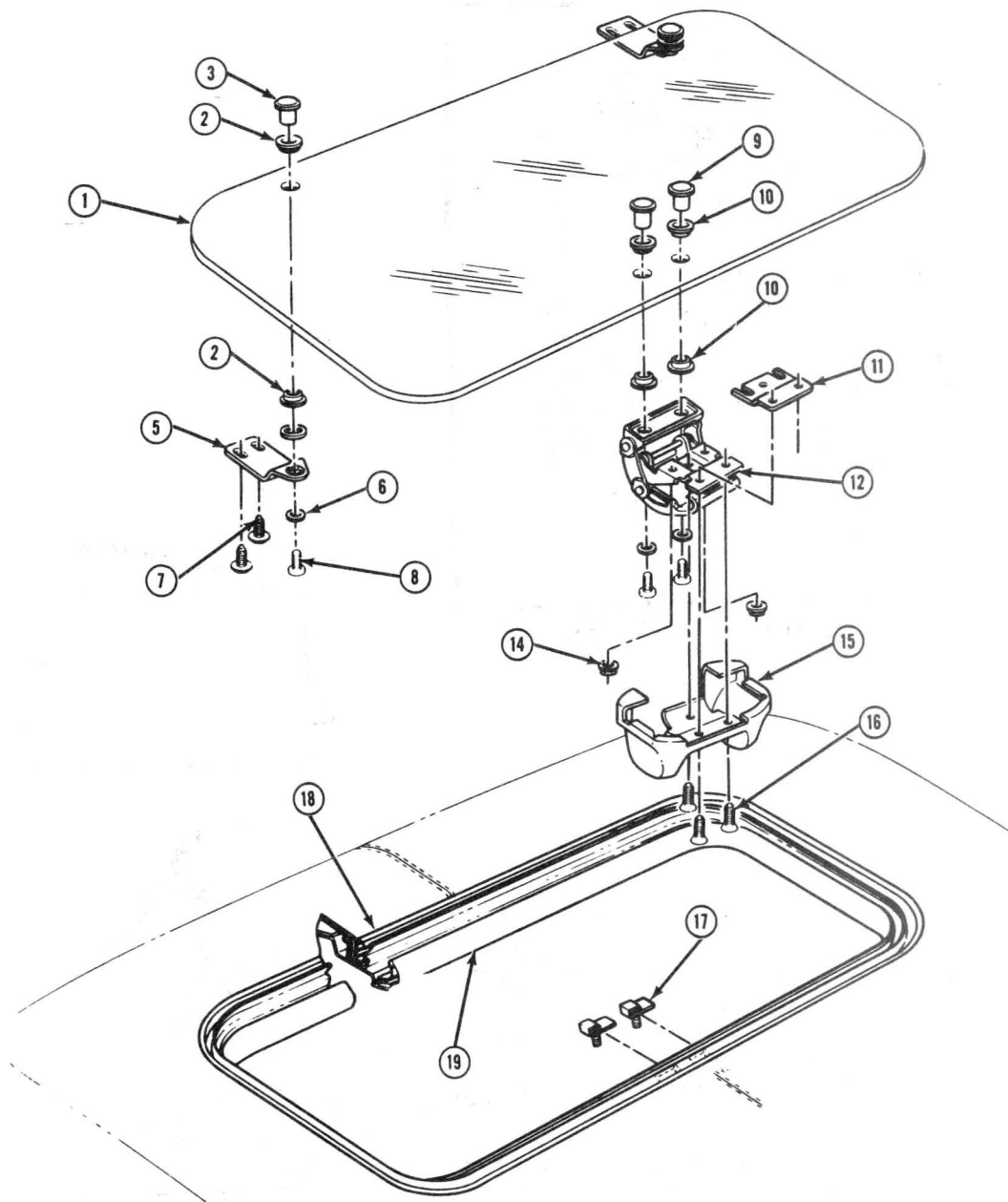
Key	Description	Group
34	STOP, lugg. compt. panel	12.977
35	CAP, lugg. compt. cover attaching screw protector	12.977
36	NUT, support to inner panel	N.L.
37	FILLER, pan longitudinal bar to spare tire cover panel	12.981
38	HANDLE, lugg. compt. opening	12.977
39	SCREW, handle to panel	N.L.
40	SUPPORT, 3rd seat cushion	11.620
41	CAP, lugg. compt. cover attaching screw protector	12.977
42	SCREW, bushing to support	N.L.
43	SCREW, support to plate	N.L.
44	SCREW, support to plate	N.L.
45	SUPPORT, lugg. compt. panel pivot	12.977
46	STOP, lugg. compt. panel	12.977
47	NUT, stop to longitudinal bar	N.L.
48	FRONT BACK, cushion	14.878
49	COVER, fldg. 2nd seat pivot support	11.620
50	BUMPER, lugg. compt. panel stop	11.620
51	SUPPORT, rear floor outer panel filler	12.977
52	NUT, support to inner panel	N.L.
53	SCREW, striker to longitudinal bar	N.L.
54	SCREW, bumper to striker	N.L.
55	BUMPER, fldg. 2nd seat back supt. on striker	11.620
56	STRIKER, fldg. 2nd seat back	11.620
57	BUMPER, fldg. 2nd seat back lock striker	11.620
58	CUSHION, fldg. 3rd seat bottom	11.610
59	FASTENER, cover to link	11.620
60	COVER, fldg. 2nd seat back lock	11.620
61	LOCK ASSY., fldg. 2nd seat back	11.620
62	SCREW, lock to seat frame	N.L.
63	RETAINER, fldg. 2nd seat back lock	11.620
64	HANDLE, lugg. compt. panel opening	12.977
65	SCREW, handle to lock	N.L.
66	PANEL, lugg. compt. rear	12.975



**1965—F85 REAR END MOULDING & TAIL
LAMP INSTALLATION (EXC. S.W.)**

Key	Description	Group
1	Pocket, Tail Lamp Opening	12.943
2	Nut, Rear Fender Moulding	12.118
3	Bulb, Tail Lamp	S.S.
4	Gasket, Rear Quarter Extension	12.943
5	Washer, Quarter Extension at Tail Lamp Upper	12.118
6	Extension, Rear Quarter Moulding—at Tail Lamp	12.116
7	Gasket, Tail and Stop Lamp Mounting	2.660
8	Stud, Tail and Stop Lamp Mounting	2.664
9	Screw, Rear Lens to Body	2.688
10	Housing, Stop and Tail Lamp	N.S.S.
11	Gasket, Tail & Stop Lamp Lens Mounting	2.684

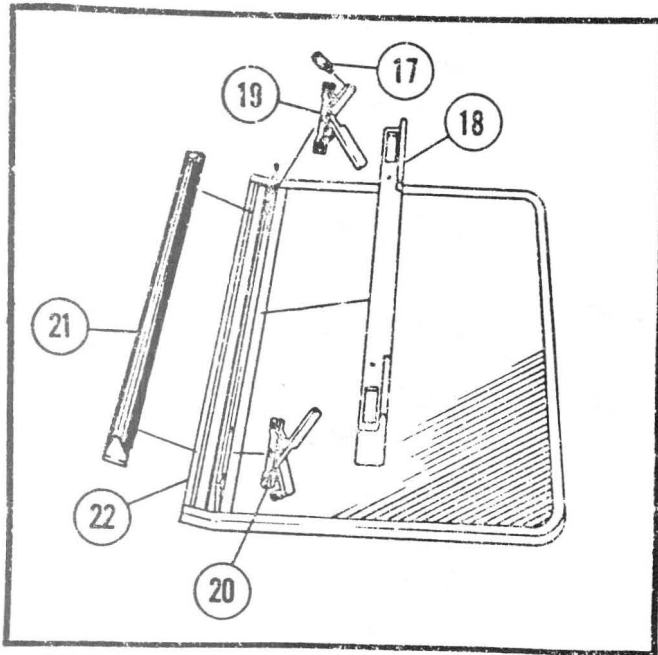
Key	Description	Group
12	Screw, Stop and Tail Lamps Ornamental Bars	2.688
13	Lens, Tail & Stop Lamp	2.682
14	Bar, Stop and Tail Lamp Ornamental	2.680
15	Emblem, Rear End Panel F-85 Design	N.S.S.
16	Moulding, Rear End Panel	12.182
17	Emblem, Rear End Panel	12.182
18	Moulding, Rear End Panel—Centre	12.182
19	Emblem, Rear End Panel—Rocket Design	12.182
		S.S.—Standard Stock
		N.S.S.—Not Serviced Separately



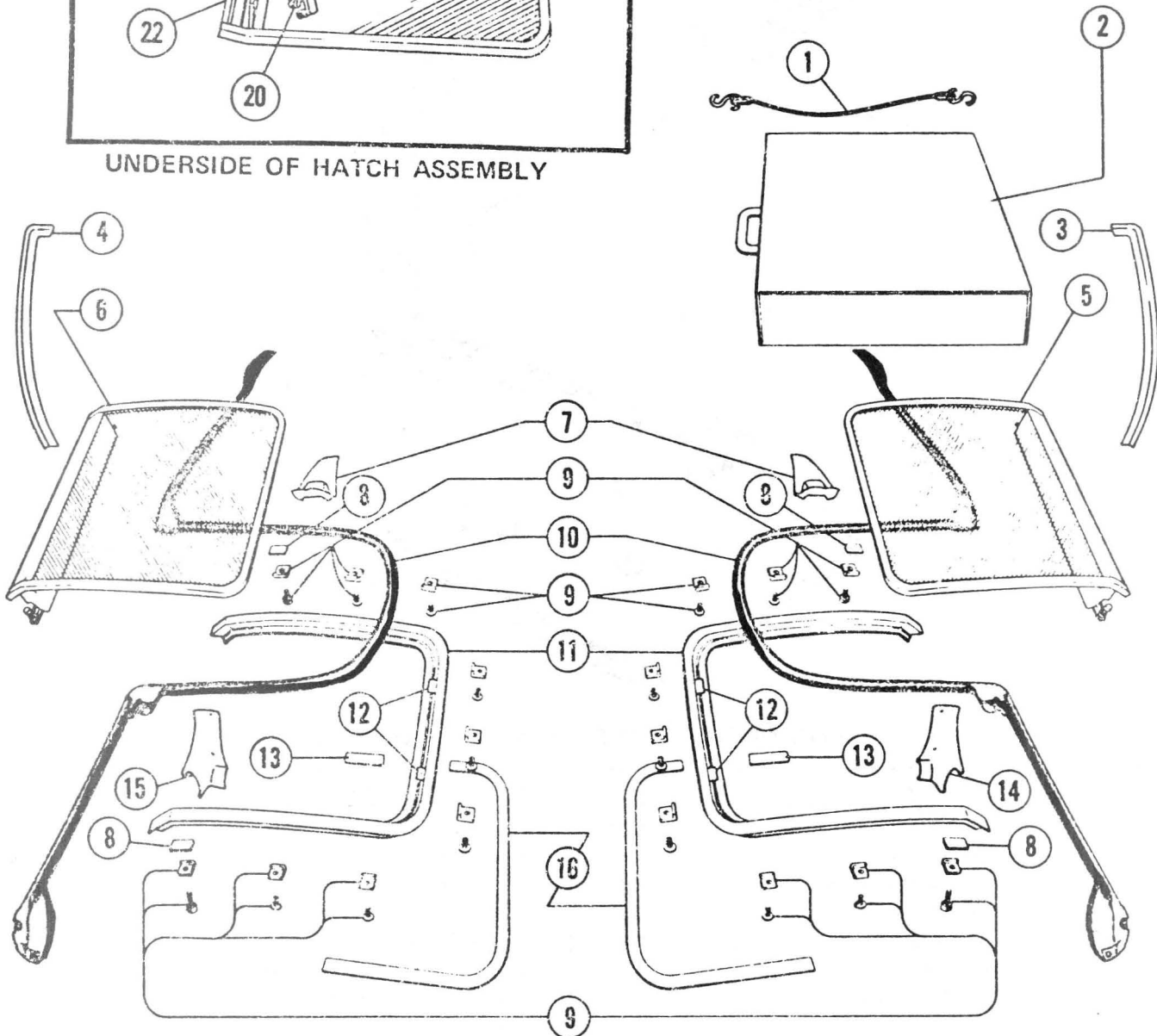
1973-74 OLDSMOBILE VISTA VENT HARDWARE

Key	Description	Group
1	Glass — Roof Outer Panel	12.811
2	Bushing — Vista Vent Hinge	12.811
3	Nut — Roof Outer Panel Vent Hinge	12.811
4	Spacer — Vista Vent Hinge	12.811
5	Hinge — Roof Outer Panel	12.811
6	Washer — Screw To Hinge	N.S.S.
7	Screw — Hinge To Reinforcement	N.S.S.
8	Screw — Hinge To Nut	N.S.S.
9	Nut — Vista Vent Latch	12.811
10	Bushing — Latch Assembly To Glass	12.811

Key	Description	Group
11	Spacer — Vista Vent Latch	12.811
12	Latch Assembly — Roof Outer Panel	12.811
13	Screw Assembly — Latch Asm To Glass	N.S.S.
14	Nut — Latch Asm To Reinforcement	12.811
15	Escutcheon — Vista Vent Glass	12.811
16	Screw — Escut Asm To Reinforcement	N.S.S.
17	Clip — Vista Vent Glass Latch Bolt	12.811
18	W/Strip Asm — Vista Vent — Complete	12.811
19	Lace — Roof Inner Panel — Finish	14.650



UNDERSIDE OF HATCH ASSEMBLY



1976 HATCH ROOF

1976 HATCH ROOF

ITEM	PART #	DESCRIPTION
1	727214	Hold down assy. for carrying case
2	727203	Carrying Case
3	727208	Left "B" pillar drip rail (Olds)
4	727209	Right "B" pillar drip rail (Olds)
5	727231B	Left Hatch Assy.
6	727232B	Right Hatch Assy.
7	727195	Left "B" pillar cap (state colour)
	727196	Right "B" pillar cap (state colour)
8	727217	1" spacer to be used with outer roof surround retainers (2 per side)
9	727214	Retainer assy. — used to secure surround mldg. to roof
10	727198	Left rubber surround weatherstrip
	727199	Right rubber surround weatherstrip
11	727233	Left roof surround mldg.
	727234	Right roof surround mldg.
12	727239	Roof surround tab package—contains 4 tabs and 8 attaching screws
13	727215	2" spacer to be used with formed "U" shaped spacer
14	727206	Left "A" pillar cap (state colour)
15	727207	Right "A" pillar cap (state colour)
16	727216	Formed "U" shaped spacer located between the inner and outer roof panel
17	727205	Latch adjusting screw
18	727197	Latch cover (state colour)
19	727201	Left latch
20	727202	Right latch
21	727200	Left hatch weatherstrip
		Right hatch weatherstrip
22	NSS	Aluminum beam

(B)—Excel Screw Type

NSS—Not Serviced Separately



NOTES

A series of horizontal lines for taking notes, starting below the 'NOTES' header and extending to the bottom of the page.