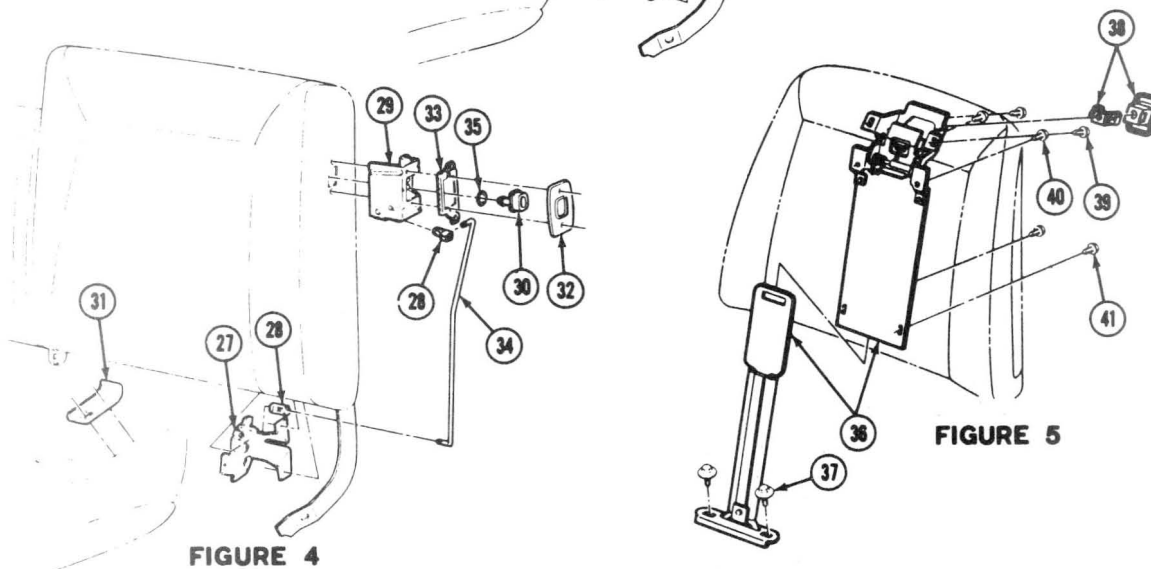
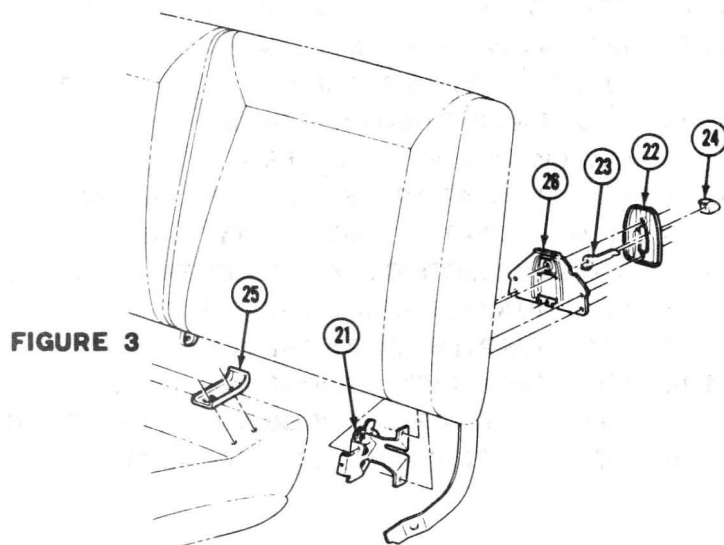
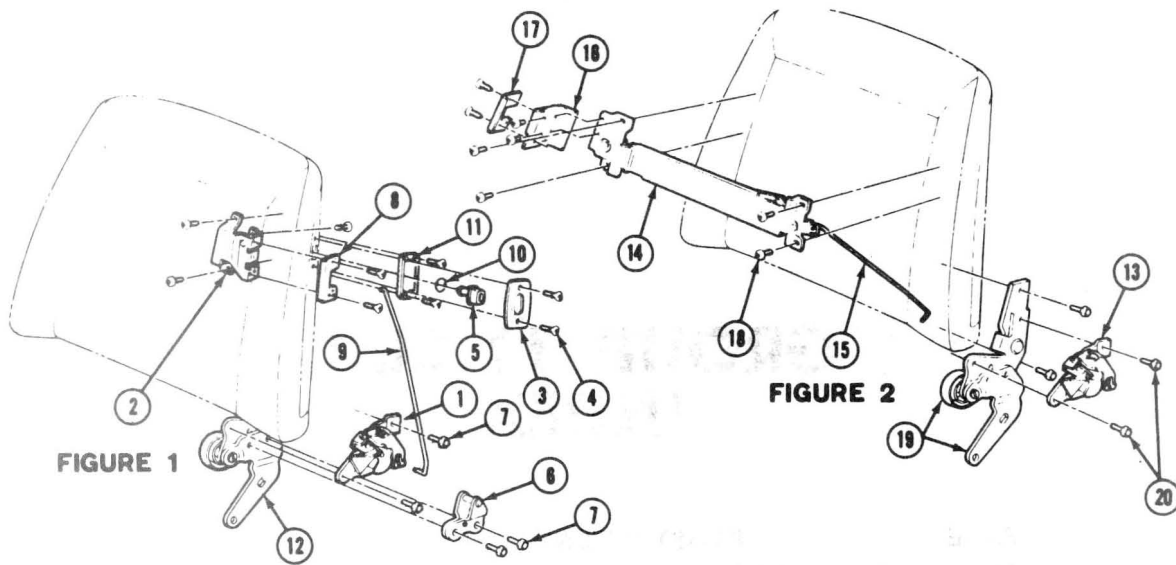


GROUP 11.000 INDEX

PAGE	ILLUSTRATION
11-2	FRONT SEAT BACK LOCKS (11.390)
11-4	STRATO BUCKET SEAT WITH HEAD RESTRAINT
11-6	1973-74 SWIVEL BUCKET SEAT
11-8	1975-76 CUTLASS RECLINING SEAT (AJ29-57)
11-10	1970 HEAD RESTRAINT DETAILS — TYPICAL
11-12	FOUR WAY SEAT ADJUSTER — TYPICAL
11-13	SIX WAY SEAT ADJUSTER TRANS. AND PARTS
11-14	MANUAL SEAT ADJUSTER — TYPICAL
11-15	SIX WAY ELECTRIC SEAT ADJUSTER — TYPICAL
11-16	REAR QUARTER HARDWARE (27)
11-17	REAR QUARTER HARDWARE (17-37-67)
11-18	1968 REAR QUARTER WINDOW — TYPICAL 1969-72
11-19	1969 REAR QUARTER WINDOW (57-67-87) TYPICAL 1969-72
11-20	1976 STATION WAGON LOAD FLOOR (35)

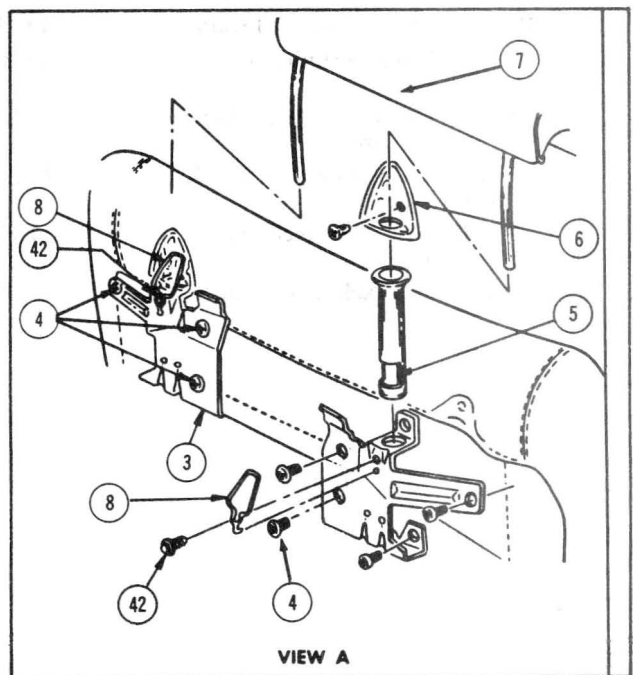
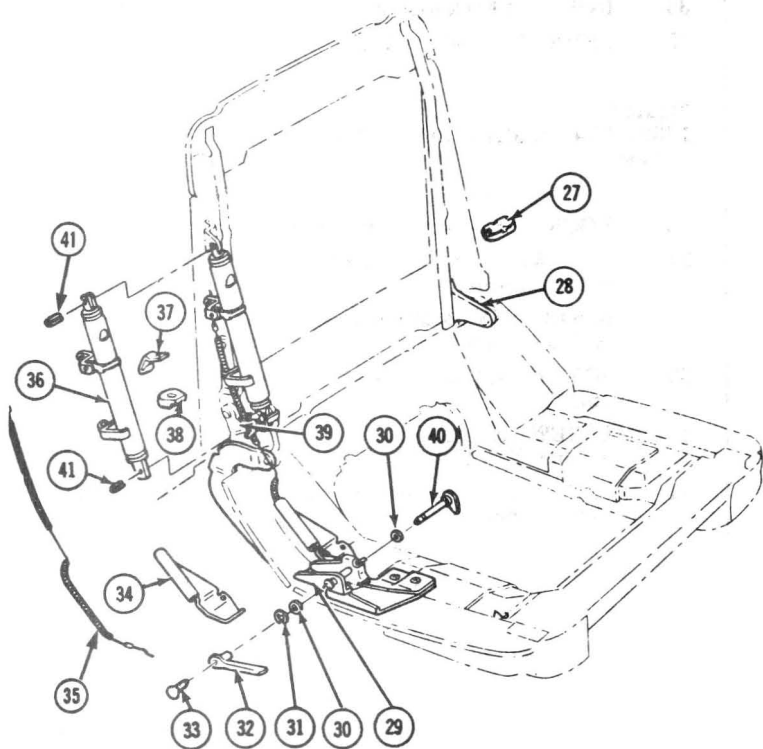
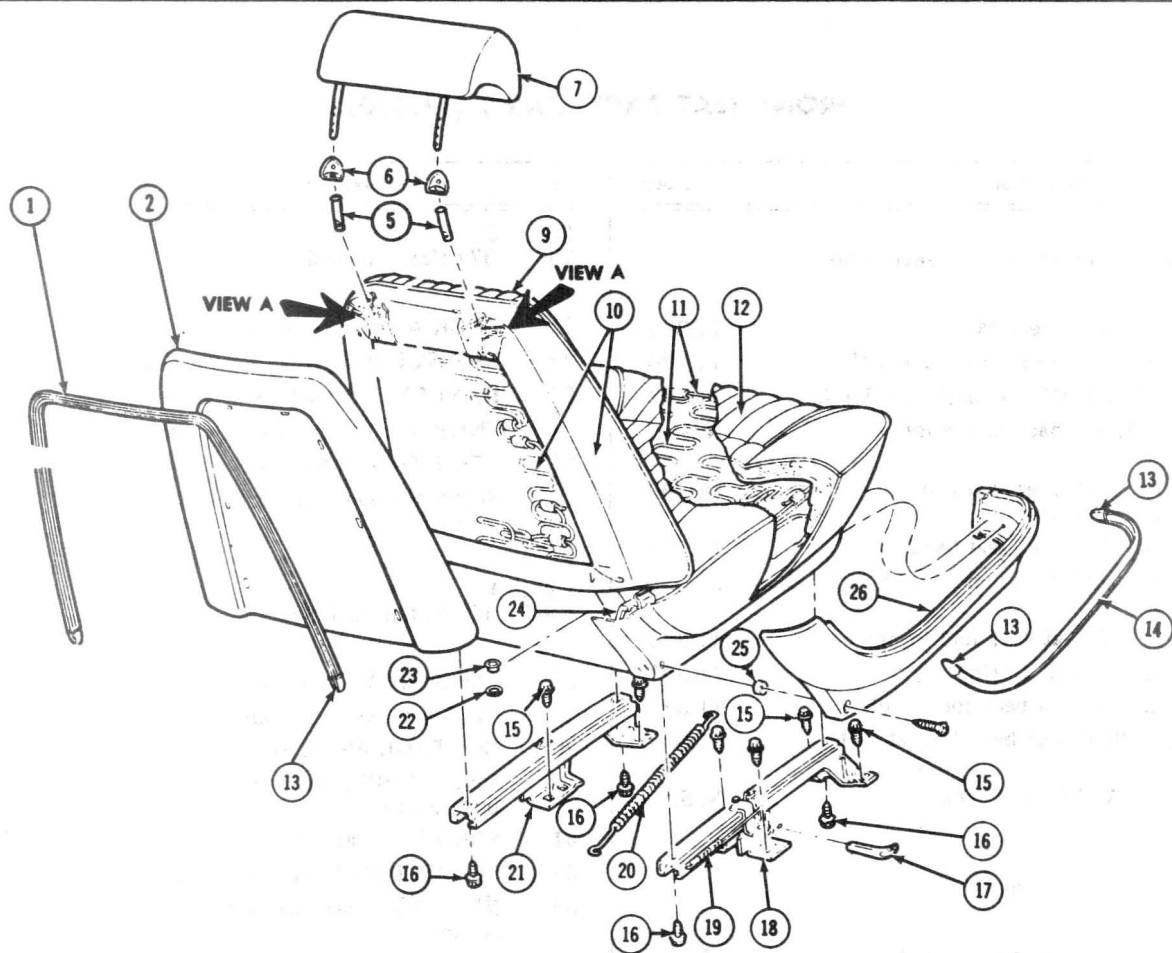


FRONT SEAT BACK LOCKS (11,390)

FRONT SEAT BACK LOCKS (11,390)

Key	Description	Group
Figure 1 1967-1968 Strato Bucket and Bench Seats		
1	LOCK ASSY., seat back	11.390
2	CONTROL ASSY., seat back lock	11.390
3	ESCUTCHEON, seat back lock knob	11.390
4	SCREW, seat back lock knob escutcheon	N. L.
5	KNOB ASSY., seat back lock rod push button	11.390
6	STRIKER ASSY., seat back lock	11.390
7	SCREW, seat back lock striker to hinge	N. L.
8	SUPPORT, seat back lock control	11.390
9	ROD, seat back locking	11.390
10	FERRULE, seat back lock knob	11.390
11	RETAINER, seat back trim at lock knob	11.390
12	HINGE ASSY., seat back	N. S.
Figure 2 1967-1968 Reclining Seat		
13	LOCK ASSY., seat reclining back	11.390
14	CONTROL ASSY., seat reclining back lock	11.390
15	ROD, seat reclining back locking	11.390
16	SUPPORT, seat reclining back lock control	11.390
17	TRIMSTICK, seat reclining back lock control support	N. L.
18	SCREW, seat reclining back lock control support	N. L.
19	HINGE ASSY., seat reclining back inner	11.377
20	SCREW, seat back lock to hinge	11.390

Key	Description	Group
Figure 3 1967-1974 Conventional Seat		
21	LOCK ASSY., seat back	11.390
22	ESCUTCHEON, seat back lock handle	11.390
23	HANDLE, seat back lock handle	11.390
24	KNOB ASSY., seat back lock handle	11.390
25	STRIKER, seat back lock	11.390
26	SUPPORT, seat back lock handle escutcheon	11.390
Figure 4 1967-1974 Notch Back Seat		
27	LOCK ASSY., seat back	11.390
28	CLIP, seat back lock spring	11.390
29	CONTROL ASSY., seat back lock	11.390
30	KNOB ASSY., seat back lock rod push button	11.390
31	STRIKER, seat back lock	11.390
32	ESCUTCHEON, seat back lock knob	11.390
33	RETAINER, seat back panel trim at lock knob	11.390
34	ROD, seat back locking	11.390
35	FERRULE, seat back lock knob	11.390
Figure 5 1969-1974 All Strato Bucket And Cust. Tor. Bench Seats		
36	LOCK ASSY., seat back center	11.390
37	SCREW, seat back center lock to bottom frame	N. L.
38	KNOB ASSY., seat back lock push (w/Escutcheon)	11.390
39	SCREW, seat back center lock to upr. bar	N. L.
40	SCREW, seat back center lock to upr. bar Reinf.	N. L.
41	SCREW, seat back center lock to lower bar	N. L.

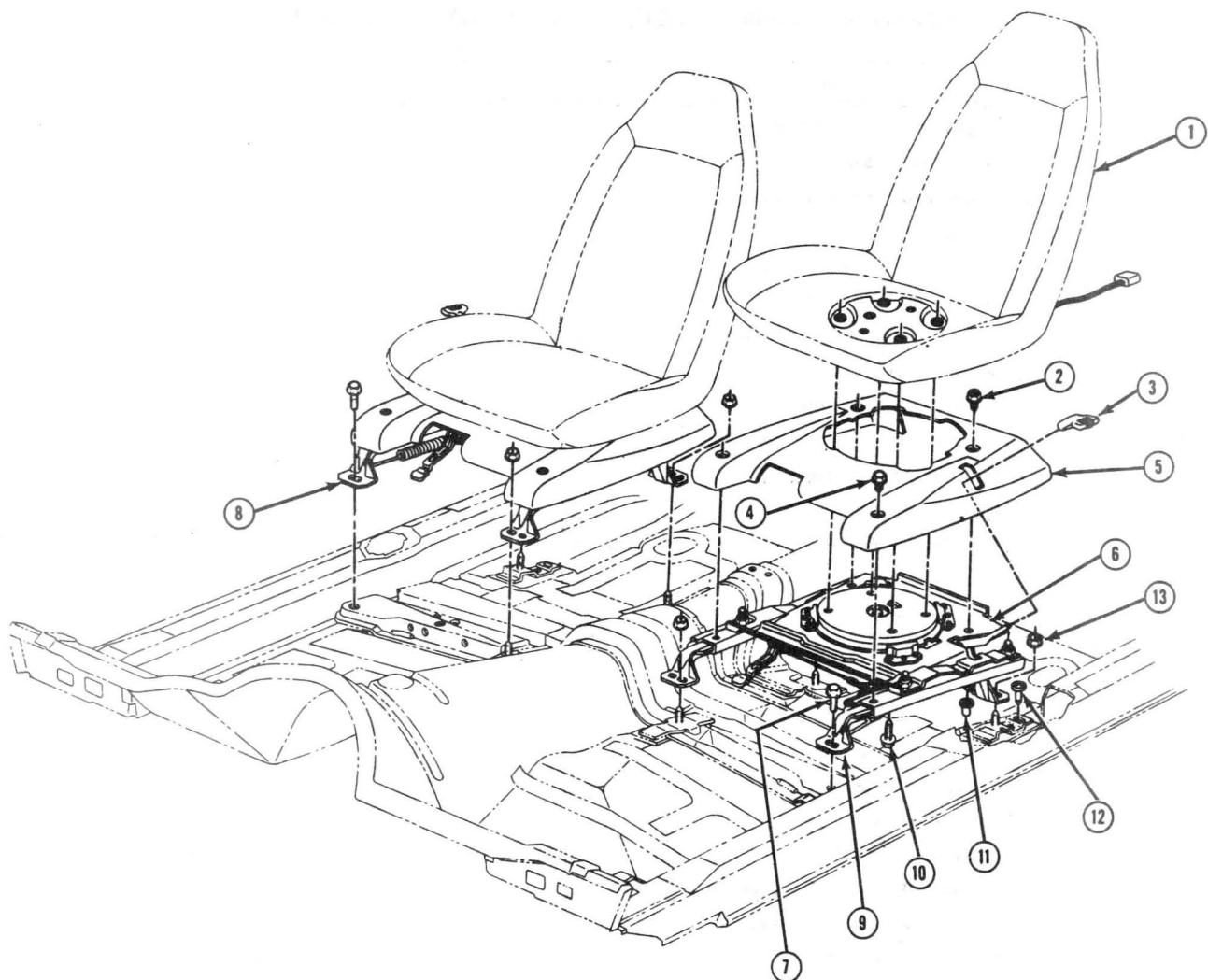


STRATO RECLINING BUCKET SEAT WITH HEAD RESTRAINT

STRATO RECLINING BUCKET SEAT WITH HEAD RESTRAINT

Key	Description	Group
1	Moulding, Front Seat Back Panel Finishing	14.818
2	Panel, Bucket Seat Back	11.358
3	Guide, Head Restraint Support	11.376
4	Screw, Head Restraint	S.S.
5	Tube, Head Restraint Support Guide	11.376
6	Escutcheon, Head Restraint Support	11.376
7	Head Restraint, Front Seat Back	14.924
8	Spring, Head Restraint Stop	11.376
9	Cover, Front Seat Back	14.800
10	Frame and Spring, Front Seat Back	11.373
11	Frame and Spring, Front Seat Cushion	11.419
12	Cover, Front Seat Cushion	14.880
13	Cap, Drivers and Passengers Seat Moulding End	14.818
14	Moulding, Front Seat Side Panel	14.818
15	Bolt, Seat Adjuster to Floor Pan	11.561
16	Bolt, Seat Adjuster to Side Bar	11.561
17	Knob, Manual Seat Adjuster	11.588
18	Adjuster, Manual—Outer	11.561
19	Spring, Seat Adjuster Lock Bar—Outer	11.581
20	Spring, Seat Adjuster Assist	11.581
21	Adjuster, Manual—Inner	11.561
22	Washer, Reclining Seat Back Cable Trim	11.377
23	Grommet, Reclining Seat Back Control Cable Trim	11.377
24	Support, Seat Side Panel—Rear Right	11.368
25	Spacer, Seat Side Panel	11.362
26	Panel, Seat Side	11.358
27	Bumper, Front Seat Back Frame Side and Centre	11.381
28	Hinge, Seat Reclining Back—Inner	11.377
29	Support, Seat Reclining Back Control	11.377
30	Ring	S.S.
31	Washer, Seat Reclining Back Control	11.377
32	Handle, Front Seat Reclining Back Control	11.377
33	Screw, Front Seat Reclining Back Control Handle	11.377
34	Guide, Front Seat Reclining Back Control Cable	11.377
35	Cable, Seat Reclining Back Control	11.377
36	Unit, Reclining Seat Back Positioning	11.377
37	Clip, Reclining Seat Back Outer Hinge Arm	11.377
38	Bumper, Front Seat Back Frame—Outer	11.381
39	Hinge, Seat Reclining Back—Outer	11.377
40	Control, Front Seat Back	11.390
41	Pin, Reclining Seat Back Position Unit	14.924
42	Screw, Retainer Spring	S.S.

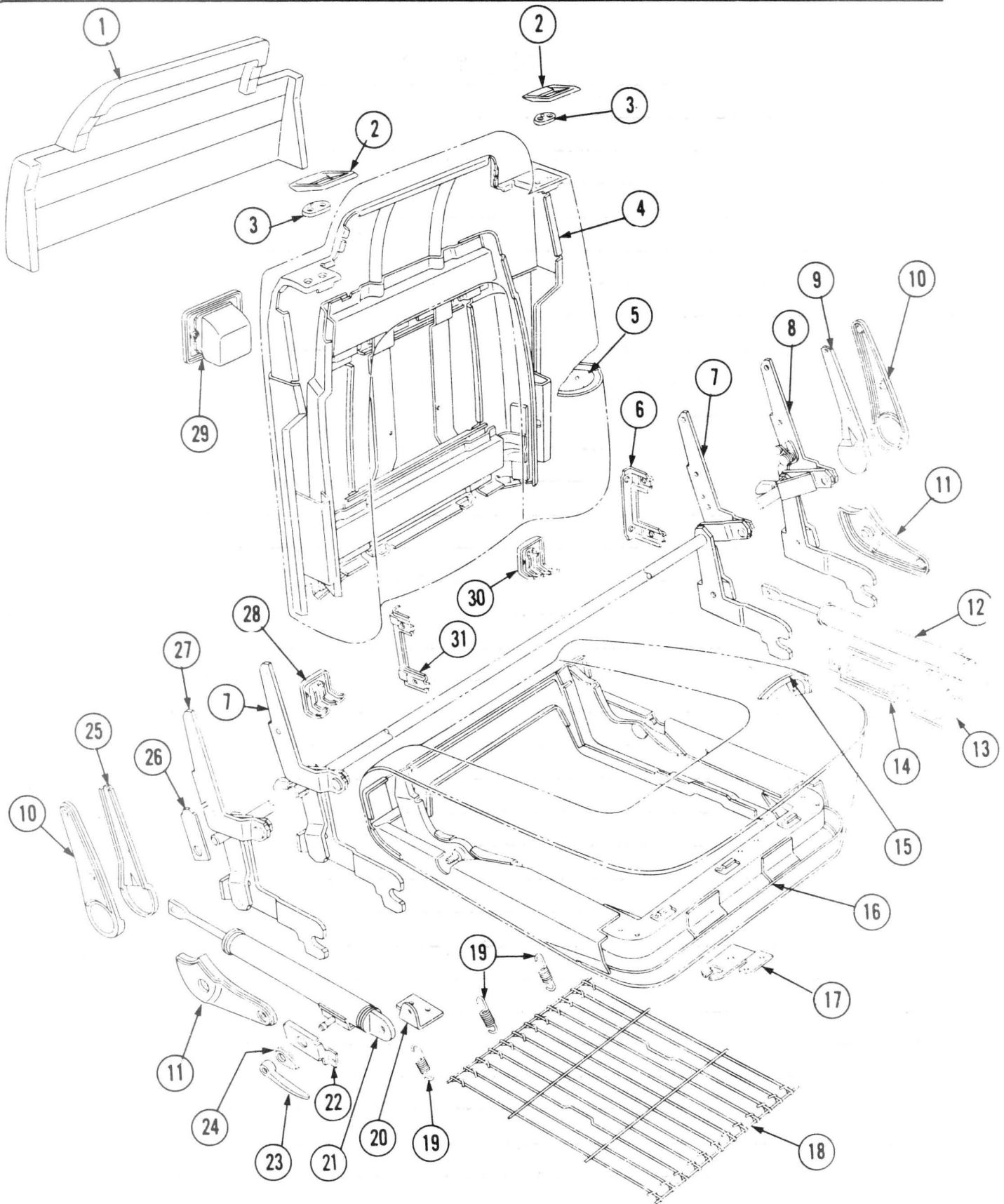
S.S. — Standard Stock



1973-74 SWIVEL BUCKET SEATS

Key	Description	Group
1	Cover, Seat Back Trim (Back & Cushion)	14.800
	Panel, Pass. & Driver Seat Back	11.373
	Pad & Wire Assy., p/d Seat Back	14.802
2	Screw, Cover p/d Seat to Plate Mtg.	N.L.
3	Knob, p/d Swivel Seat	11.588
4	Screw, cover p/d Seat to Channel Upper	N.L.
5	Cover, p/d Seat Swivel (Manual) (Paint to Match)	11.573
6	Swivel, p/d Adj. Manual	11.561

Key	Description	Group
7	Bolt, Adj. to Floor & Seat	11.561
8	Adjuster, Pass. Outer & Inner Manual	11.561
9	Adjuster, Driver Outer & Inner Manual	11.561
10	Bolt, Adj. to Floor & Seat	11.561
11	Cap, p/d Seat Swivel Plate Screw Protector	11.561
12	Bolt, Driver Seat rr. Anchor Plate	14,875
13	Nut, p/d Seat Adj. to Anchor Plate	N.L.



1975-76 CUTLASS RECLINING SEAT (AJ29-57)

1975-76 CUTLASS RECLINING SEAT (AJ29-57)

Key	Description	Group
1.	PAD, p/d st. bk. upr.	14.810
2.	GUIDE, shldr. strap p/d st. bk.	14.875
3.	ESCUTCHEON, shldr. strp. p/d st. bk.	14.875
4.	FRAME ASSY., p/D st. bk.	11.373
5.	PAD ASSY., p/d st. bk. wire	14.802
6.	SUPPORT, d/st. bk. pnl.	11.368
7.	CONTROL ASSY., p/st. bk. recl.	11.377
8.	CONTROL ASSY., d/st. bk. recl.	11.377
9.	REINFORCEMENT, d/st. upr. side pnl. otr.	11.368
10.	PANEL, p/d recl. st. side upr.	11.377
11.	PANEL, p/d recl. st. side lwr.	11.377
12.	ACTUATOR ASSY., d/st. bk. recl.	11.561
13.	SUPPORT, d/st. btm. frm. actu.	11.368
14.	SUPPORT, d/st. side escut. & switch	11.368
15.	PAD ASSY., p/d st. btm. wire	14.890
16.	SPRING ASSY., p/d st. btm. frm. supt.	11.419

Key	Description	Group
17.	RETAINER, elec. mod to p/st. btm. frm.	13.095
18.	SUPPORT ASSY., p/d st. btm.	11.561
19.	SPRING, hel. p/d st. btm. pad	11.561
20.	SUPPORT, p/st. btm. frm. actu.	11.368
21.	ACTUATOR ASSY., p/st. bk. recl.	11.561
22.	SUPPORT, p/d st. bk. recl. cont. escn.	11.377
23.	HANDLE, p/d st. recl. cont.	11.377
24.	ESCUTCHEON, hdl. p/d st. recl. cont.	11.390
25.	REINFORCEMENT, p/st. upr. side pnl. otr.	11.368
26.	SUPPORT, p/d st. bk.	11.368
27.	CONTROL ASSY., p/d st. bk. recl.	11.377
28.	ESCUTCHEON, p/st. bk. lk.	11.390
29.	TRAY ASSY., p/d st. bk.	12.045
30.	ESCUTCHEON, d/st. bk. lk.	11.390
31.	SUPPORT, p/st bk. pnl.	11.368

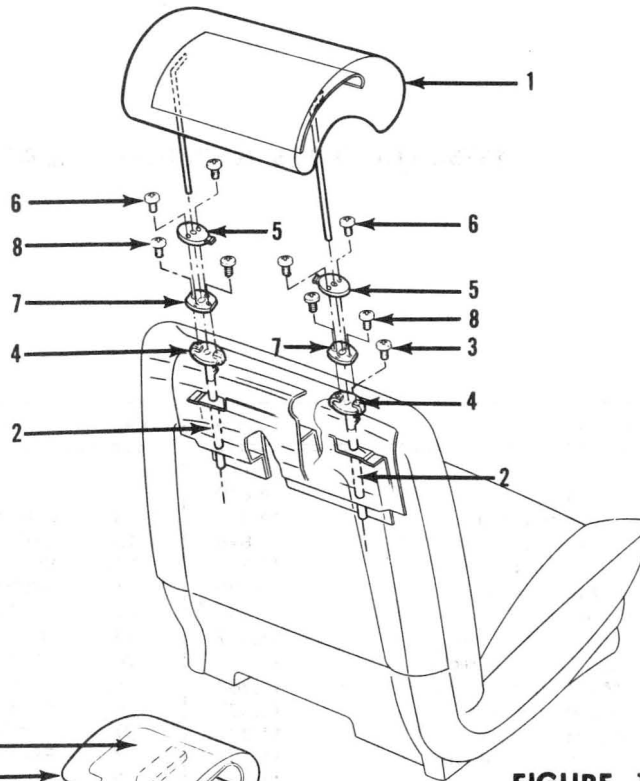


FIGURE 1

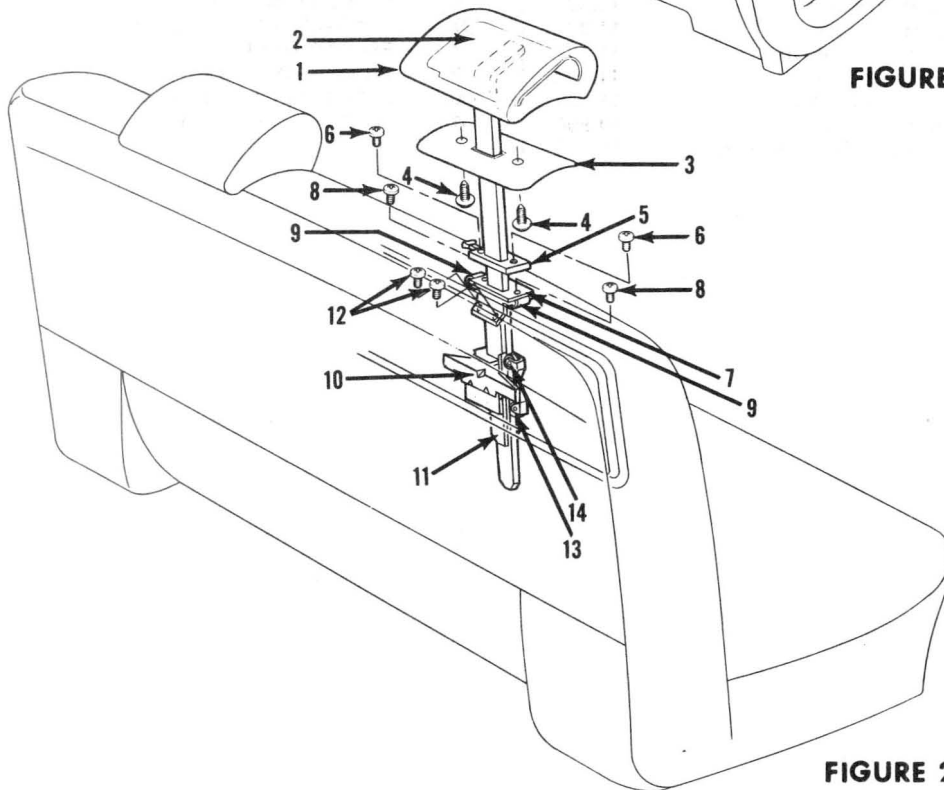


FIGURE 2

**1970 HEAD RESTRAINT DETAILS
(TYPICAL ALL MODELS)**

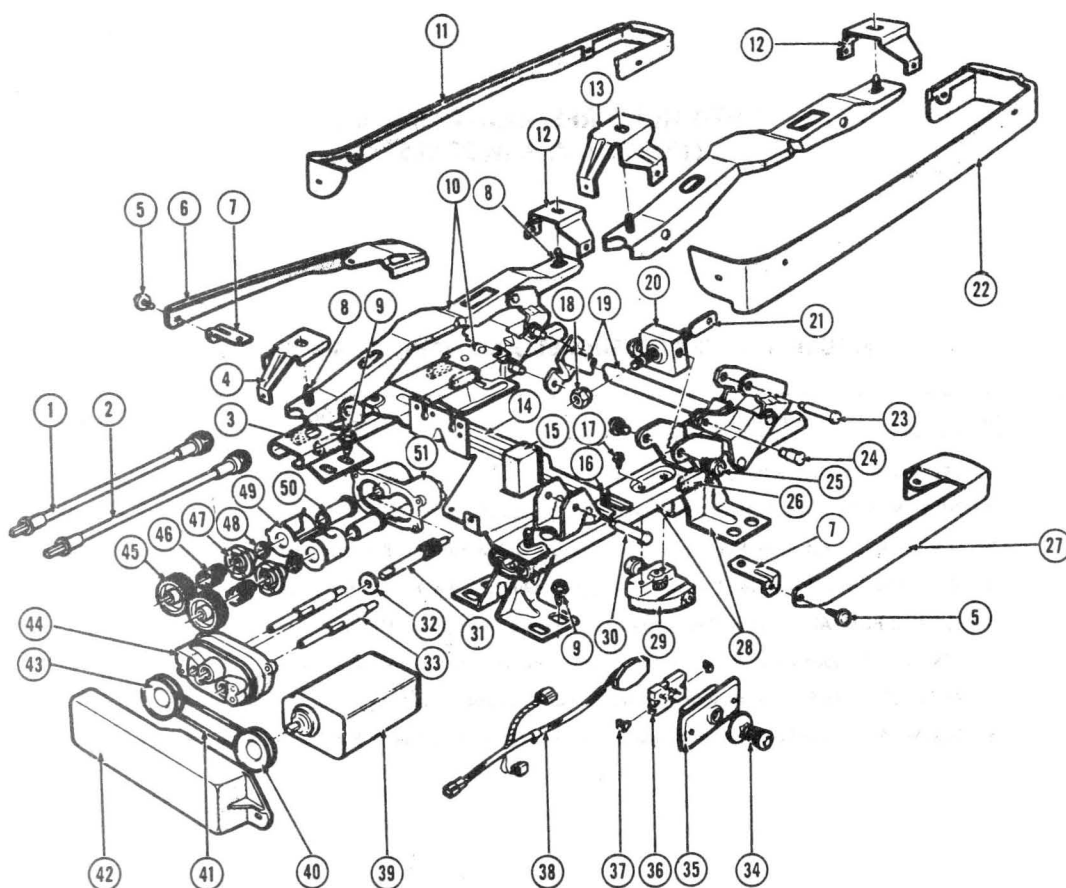
**1970 HEAD RESTRAINT DETAILS
(TYPICAL ALL MODELS)**

FIGURE 1 – STRATO BUCKET AND STRATO BENCH SEATS

Key	Description	Group
1	RESTRAINT ASSY., P/D Seat Back Head	14.924
2	TUBE, P/D Seat Back Head Restraint Support Guide	11.376
3	SCREW, P/D Seat Back Head Restraint Support Guide Tube to Reinforcement	N.S.
4	NUT, P/D Seat Back Head Restraint Support Guide Tube to Reinforcement	N.S.
5	ESCUTCHEON ASSY., P/D Seat Back Head Restraint Support Finish	11.376
6	SCREW, P/D Seat Back Head Restraint Panel Support Escutcheon to Retainer	N.S.
7	RETAINER, P/D Seat Back Head Restraint Panel Support Escutcheon	11.376
8	SCREW, P/D Seat Back Head Restraint Panel Support Escutcheon Retainer to Support	N.S.

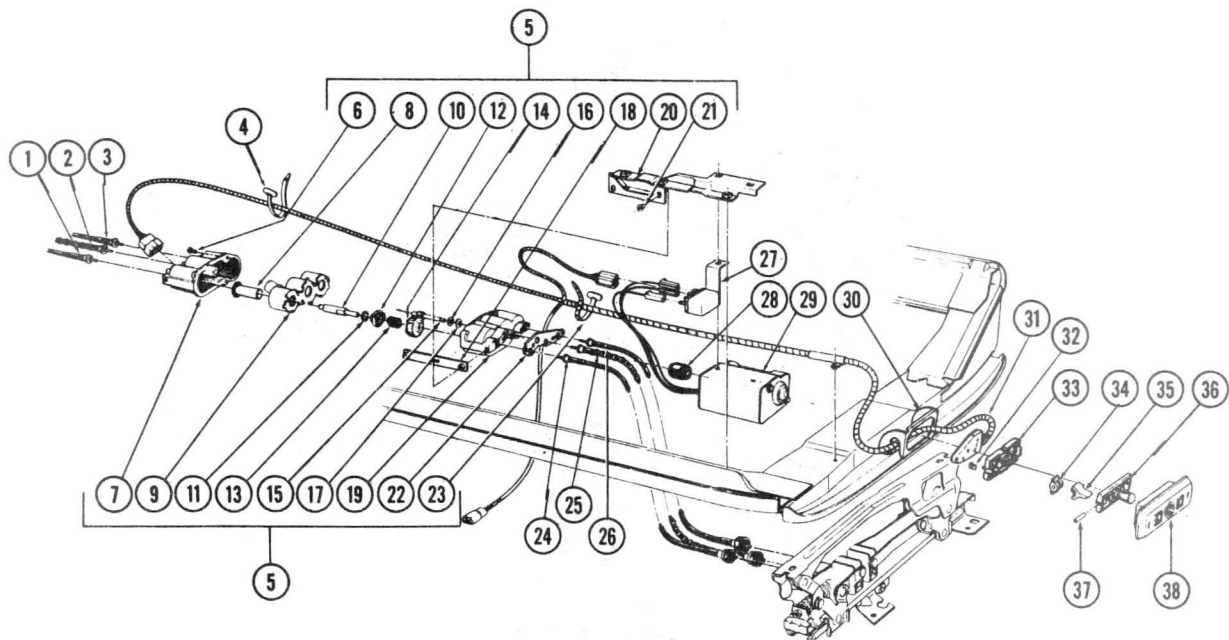
FIGURE 2 – CONVENTIONAL & 60 / 40 SEATS

Key	Description	Group
1	COVER ASSY., P/D Seat Back Head Restraint	14.924
2	PAD & PANEL ASSY., P/D Seat Back Head Restraint	14.924
3	PANEL, P/D Seat Back Head Restraint Finish	11.376
4	SCREW, P/D Seat Back Head Restraint Finish Panel to Bottom	N.S.
5	ESCUTCHEON ASSY., P/D Seat Back Head Restraint Support Finish	11.376
6	SCREW, P/D Seat Back Head Restraint Panel Support Escutcheon to Retainer	N.S.
7	RETAINER, P/D Seat Back Head Restraint Panel Support Escutcheon	11.376
8	SCREW, P/D Seat Back Head Restraint Panel Support Escutcheon Retainer to Tube	N.S.
9	NUT, P/D Seat Back Head Restraint Panel Support to Escutcheon Retainer to Tube	N.S.
10	GUIDE ASSY., P/D Seat Back Head Restraint Panel Support	N.S.
11	TUBE, P/D Seat Back Head Restraint Support Guide	11.376
12	SCREW, P/D Seat Back Head Restraint Support Guide Tube to Frame	N.S.
13	ROLLER ASSY., P/D Seat Back Head Restraint Panel Support Guide	11.376
14	RIVET, P/D Seat Back Head Restraint Roller to Guide	N.S.



FOUR WAY ELECTRIC SEAT ADJUSTER (TYPICAL)

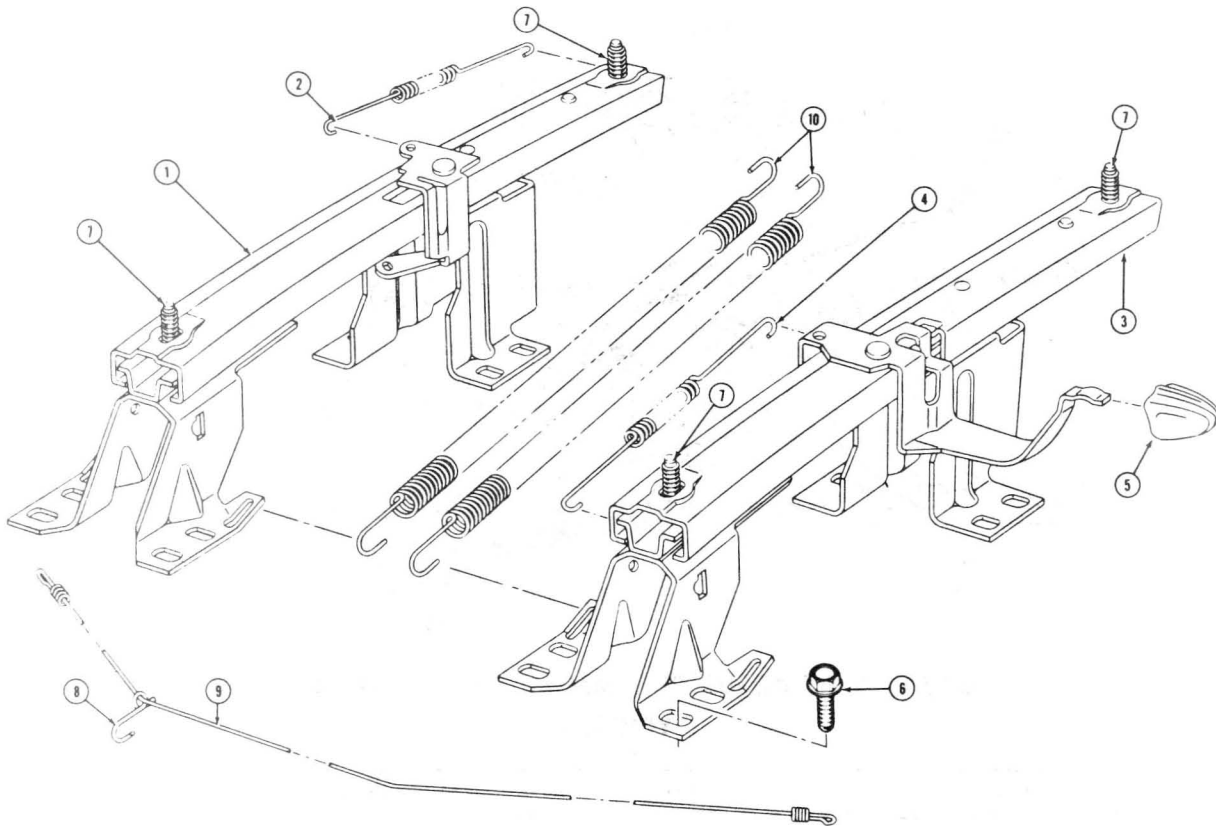
Key	Description	Group	Key	Description	Group
1	CABLE ASM., Seat Adj. Trans. to Left Adj. — Vertical	11.561	26	SHOE, Driver's Seat Outer Adj. Lwr. Channel	11.561
2	CABLE ASM., Seat Adj. Trans to Left Adj. — Horizontal	11.561	27	COVER, Driver's Seat Adj. Track — Outer Lower	11.573
3	SHOE, Driver Seat Inner Adj. Lower Channel	11.561	28	ADJUSTER ASM., Driver Seat Outer (Incl. #17-18-29-21-23-24-25-26-29-30)	11.561
4	SUPPORT, Driver's Seat Adj. Track — Upper Inner Cover — Front	11.573	29	ACTUATOR ASM., Driver's Outer Seat Adjuster	11.561
5	FASTENER, Seat Adjuster Track Cover	11.573	30	PIN, Driver's Outer Adj. Top Plate — Front	11.561
6	COVER, Driver's Seat Adj. Track — Inner Lower	11.573	31	GEAR, Seat Adj. Transmission Driving	11.556
7	SUPPORT, Driver's Seat Adj. Track — Lower Cover — Front	11.573	32	WASHER, Seat Adj. Trans. Drive Gear Thrust	11.556
8	BOLT, Adjuster to Side Bar	11.561	33	SHAFT, Seal Adjuster Transmission Clutch	11.556
9	BOLT, Adjuster to Floor Pan Bar	11.561	34	BUTTON ASM., Driver's Outer Seat Switch	11.558
10	ADJUSTER ASM., Driver Seat — Inner (Incl. #3)	11.561	35	ESCUTCHEON, Driver's Outer Seat Switch	11.558
11	COVER, Driver's Seat Adj. Track — Inner Upper	11.573	36	BASE ASM., Driver's Outer Seat Switch	11.558
12	SUPPORT, Driver's Seat Adj. Track — Upper Cover — Rear	11.573	37	CLIP, Driver Outer Seat Switch to Escutcheon	11.558
13	SUPPORT, Driver's Seat Adj. Track — Upper Outer Cover — Front	11.573	38	HARNES ASM., Four Way Seat Adj. Wiring	13.090
14	SUPPORT, Seat Adjuster Transmission	11.556	39	MOTOR ASM., Driver's Seat Adj. Horizontal and Vertical	11.556
15	RELAY ASM., Driver's Seat Adjuster Motor	13.095	40	PULLEY, Seat Adj. Trans. at Motor	11.556
16	SCREW, Seat Adjuster Trans. Support	11.556	41	RING, Seat Adj. Trans. Pulley Rubber	11.556
17	SCREW, Driver's Outer Seat Adj. Actuator	11.561	42	COVER, Seat Adj. Trans. Pulley	11.556
18	STOP, Driver Outer Adj. Jackscrew — Front	11.561	43	PULLEY, Seat Adj. Trans at Trans.	11.556
19	TUBE ASM., Driver's Seat Adjuster Torque	11.561	44	TRANS. ASM., Driver's Seat Adj. (Incl. #31-32-33-45-46-47-48-49-50)	11.556
20	GEARNUT ASM., Driver's Outer Adj. Jackscrew	11.561	45	GEAR, Seat Adj. Trans. — Horizontal & Vertical	11.556
21	JACKSCREW, Driver's Outer Seat Adjuster	11.561	46	SPRING, Seat Adj. Trans. Clutch Shaft	11.556
22	COVER, Driver's Seat Adj. Track Outer Upper	11.573	47	DOG, Seat Adj. Trans. Shaft	11.556
23	PIN, Driver's Outer Adj. Top Plate — Rear	11.561	48	WASHER, Seat Adj. Trans Clutch Shaft	11.556
24	RIVET, Driver's Outer Adjuster Jackscrew	11.561	49	SOLENOID ASM., Seat Adj. Transmission	11.556
25	SCREW, Driver's Outer Adjuster Gearnut	11.561	50	PLUNGER ASM., Seat Adj. Trans. Clutch Shaft	11.556
			51	HOUSING, Seat Adj. Transmission	N.S.



**6-WAY SEAT ADJUSTER TRANSMISSION AND PARTS
(TYPICAL)**

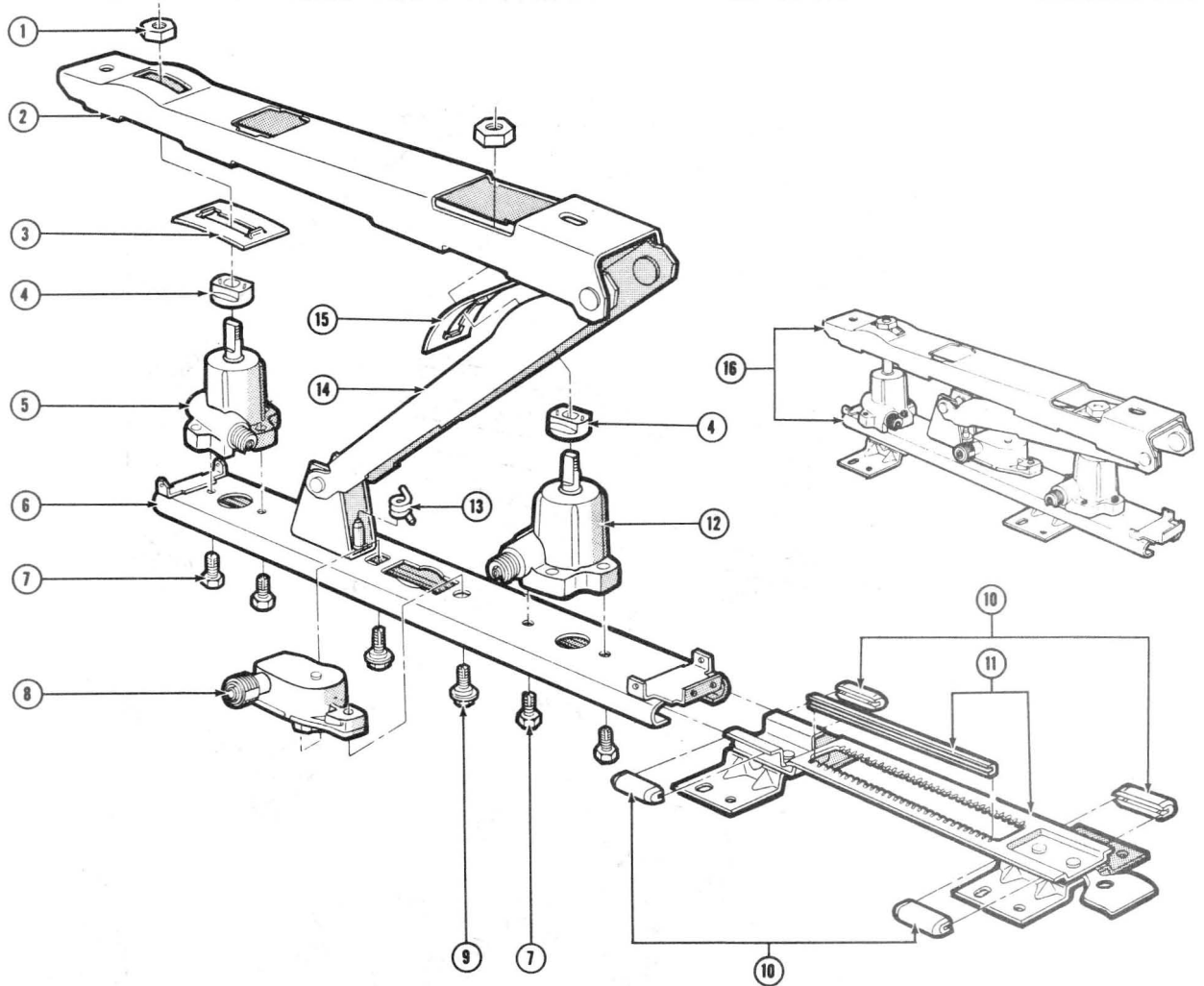
Key	Description	Group
1	CABLE, transmission to adjuster—front vertical—right	11.561
2	CABLE, transmission to adjuster—horizontal—right	11.561
3	CABLE, transmission to adjuster—rear vertical—right	11.561
4	STRAP, wire harness—transmission to cable	13.090
5	TRANSMISSION, front seat adjuster	11.556
6	SCREW, transmission housing	11.556
7	HOUSING, transmission	N.S.S.
8	CAP & PLUNGER, clutch shaft	11.556
9	SOLENOID	11.556
10	SHAFT, clutch	11.556
11	WASHER, clutch shaft	11.556
12	DOG, clutch shaft	11.556
13	SPRING, clutch shaft	11.556
14	GEAR, front vertical	11.556
15	GEAR, transmission drive rear vertical	11.556
16	WASHER, transmission drive gear—thrust	11.556
17	WASHER, transmission drive gear—curved	11.556
18	PAD, transmission support	11.556
19	HOUSING, transmission	N.S.S.

Key	Description	Group
20	SUPPORT, motor	11.556
21	WASHER, transmission support	11.556
22	PLATE, cable attaching	11.561
23	STRAP, wire harness—transmission cable	13.090
24	CABLE, transmission to adjuster—front vertical—left	11.561
25	CABLE, transmission to adjuster—horizontal—left	11.561
26	CABLE, transmission to adjuster—rear vertical—left	11.561
27	RELAY, seat adjuster motor	13.095
28	COUPLING, motor to transmission drive	11.561
29	MOTOR, front seat adjuster	11.556
30	SUPPORT, seat side panel escutcheon & switch	11.558
31	HARNES, six way seat adjuster	13.090
32	CLIP, switch escutcheon	11.558
33	SWITCH	11.558
34	BUTTON, vertical	11.558
35	CAP, vertical button	11.558
36	BAR & HORIZONTAL BUTTON ASSEMBLY, switch rocker	11.558
37	PIN, vertical button	11.558
38	ESCUTCHEON, seat side panel	11.558



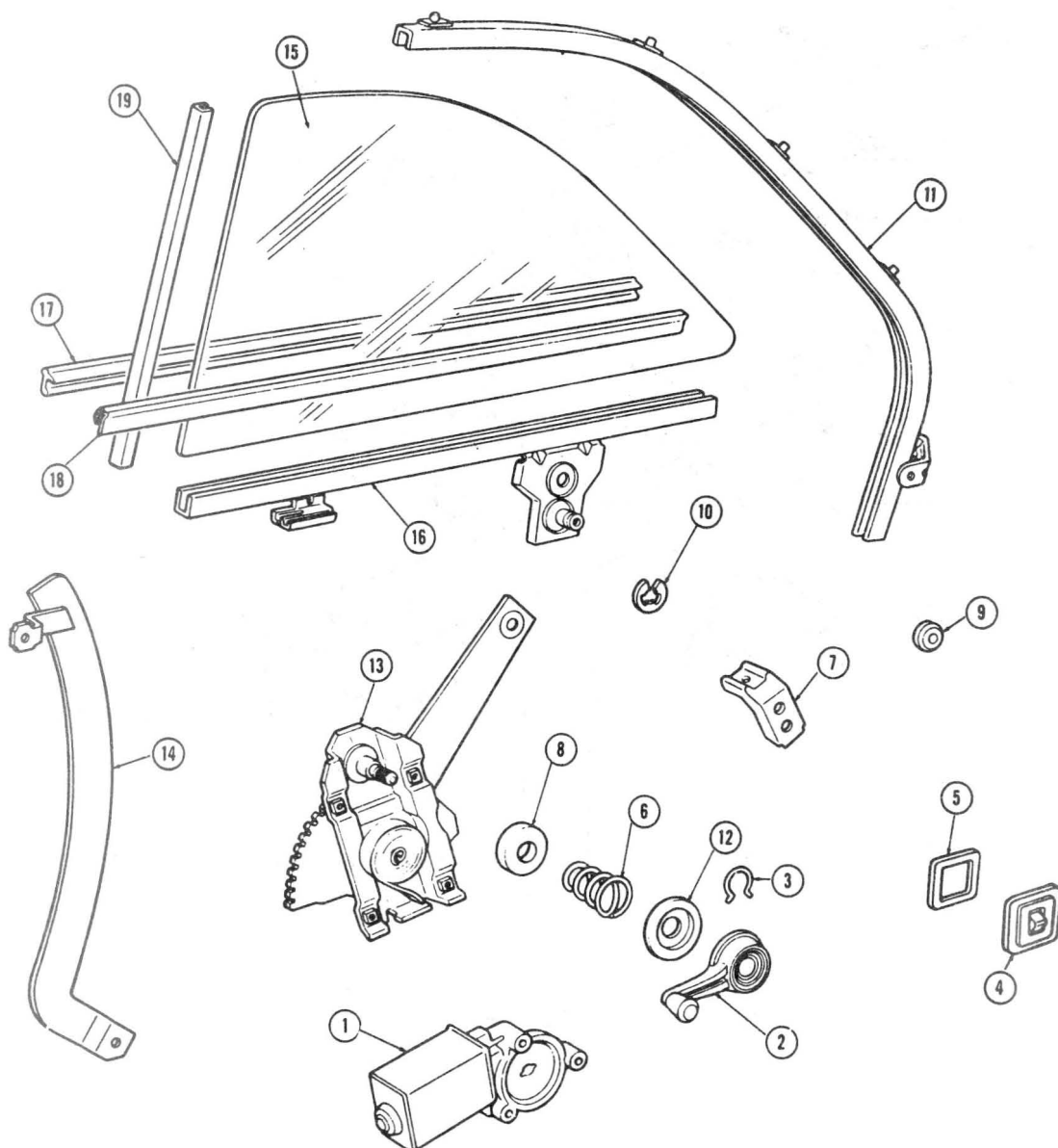
**1966 MANUAL SEAT ADJUSTER
(TYPICAL OF 1967 THRU 1976)**

Key	Description	Group
1	Adjuster Assy., Front Seat Manual — R.H. (incl. item 2)	11.561
2	Spring, lock bar	11.581
3	Adjuster Assy., Manual — L.H. (incl. item 4)	11.561
4	Spring, Lock Bar	11.581
5	Knob, Seat Adjuster	11.588
6	Bolt, Adjuster to Floor Pan	11.561
7	Bolt, Adjuster to Side Bar	11.561
8	Retainer, Auxiliary Locking Wire	11.589
9	Wire, Auxiliary Locking	11.589
10	Spring, Assist	11.581



SIX WAY SEAT ADJUSTER (TYPICAL)

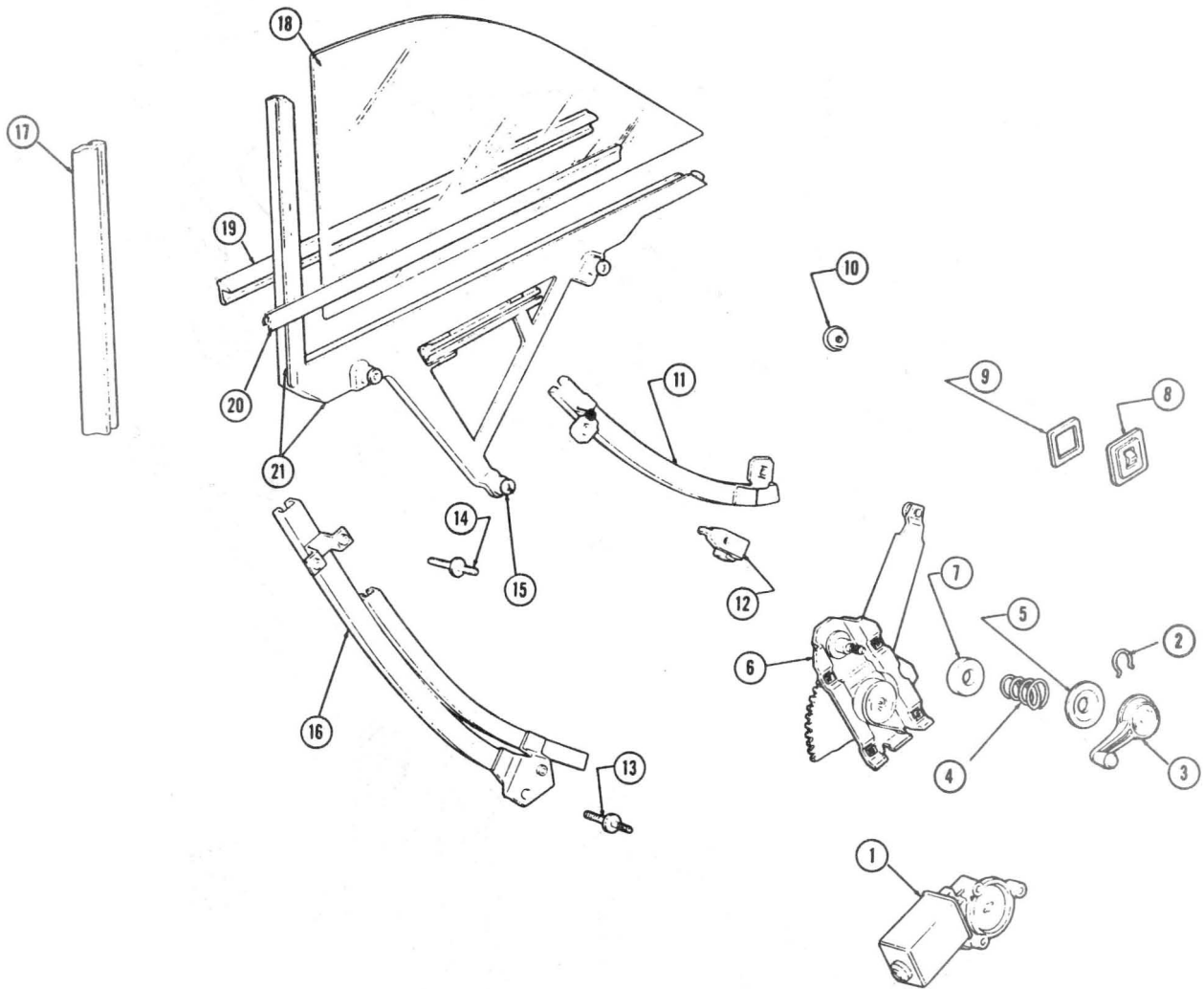
1. NUT, Gearnut	11.561
2. PLATE, Seat Adj. Top	N.S.
3. SPRING, Gearnut	11.561
4. WASHER, Gearnut	11.561
5. GEARNUT ASM., Rear Vertical	11.561
6. CHANNEL ASM., Lower	N.S.
7. SCREW, Seat Adj. Gearnut	11.561
8. ACTUATOR, Seat Adj. Horizontal	11.561
9. SCREW, Horizontal Actuator	11.561
10. SHOES, Lower Channel	11.561
11. RACK ASM., Seat Adjuster	N.S.
12. GEARNUT ASM., Front Vertical	11.561
13. SPRING, Horizontal Actuator	11.561
14. LINK, Seat Adjuster	N.S.
15. SPRING, Front Gearnut	11.561
16. ADJUSTER ASM., Front Seat Horizontal & Vertical	11.561



REAR QUARTER HARDWARE—MODEL (-07-27)
(TYPICAL)

Key	Description	Group
1	Motor, Quarter Electric Window	11.041
2	Handle, Quarter Window Regulator	11.044
3	Spring Package, Quarter Window Regulator Inside Handle Retaining	11.044
4	Switch and Escutcheon, Quarter Window	10.777
5	Retainer, Quarter Window Electric Window Lift Switch Escutcheon	10.777
6	Spring, Quarter Window Regulator Handle	11.047
7	Support	N.L.
8	Washer, Quarter Window Regulator Handle Sealing	11.047
9	Grommet, Inner Panel Wiring	11.041

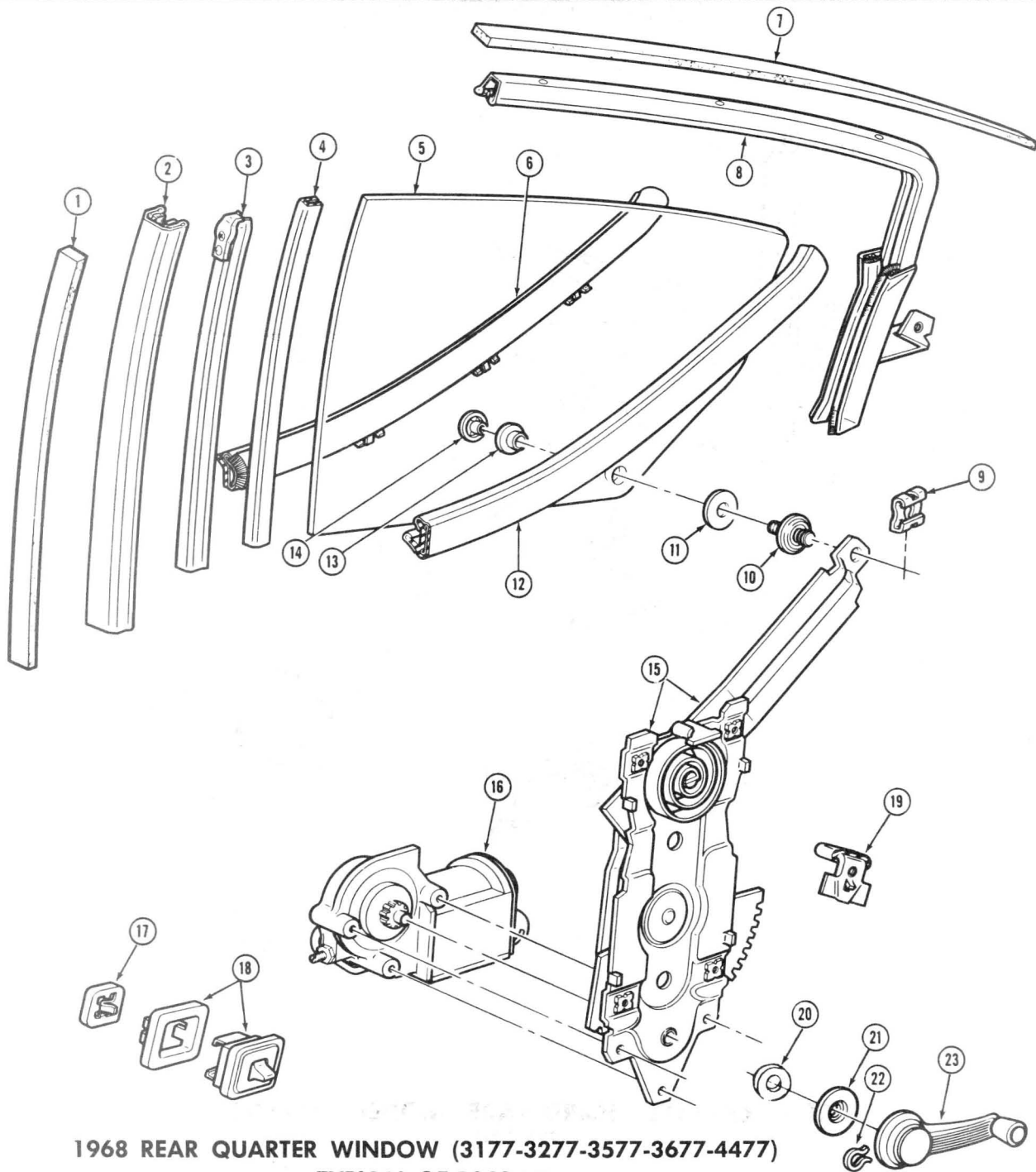
Key	Description	Group
10	Ring, Quarter Window Regulator to Channel Retainer	11.041
11	Channel, Quarter Window Glass Run	11.021
12	Plate, Control Handle Bearing	10.665
13	Regulator, Quarter Window—Manual	11.041
14	Guide, Quarter Window	11.040
15	Glass, Quarter Window	11.011
16	Channel, Quarter Lower Sash	11.007
17	Strip, Quarter Glass Run—Outer	11.015
18	Strip, Quarter Glass Run—Inner	11.015
19	Channel, Quarter Window Glass Run	11.021



REAR QUARTER HARDWARE—MODEL (-17-37-67)
 (TYPICAL)

Key	Description	Group
1	Motor, Quarter Electric Window	11.041
2	Spring Package, Quarter Window Regulator Inside Handle Retaining	11.044
3	Handle, Quarter Window Regulator	11.044
4	Spring, Quarter Window Regulator Handle	11.047
5	Plate, Control Handle Bearing	10.665
6	Regulator, Quarter Window Electric—Less Motor	11.041
7	Washer, Quarter Window Regulator Handle Sealing	11.047
8	Switch and Escutcheon, Quarter Window	10.777
9	Retainer Assembly, Quarter Window Switch Escutcheon ..	10.777
10	Grommet, Inner Panel Wiring	11.041

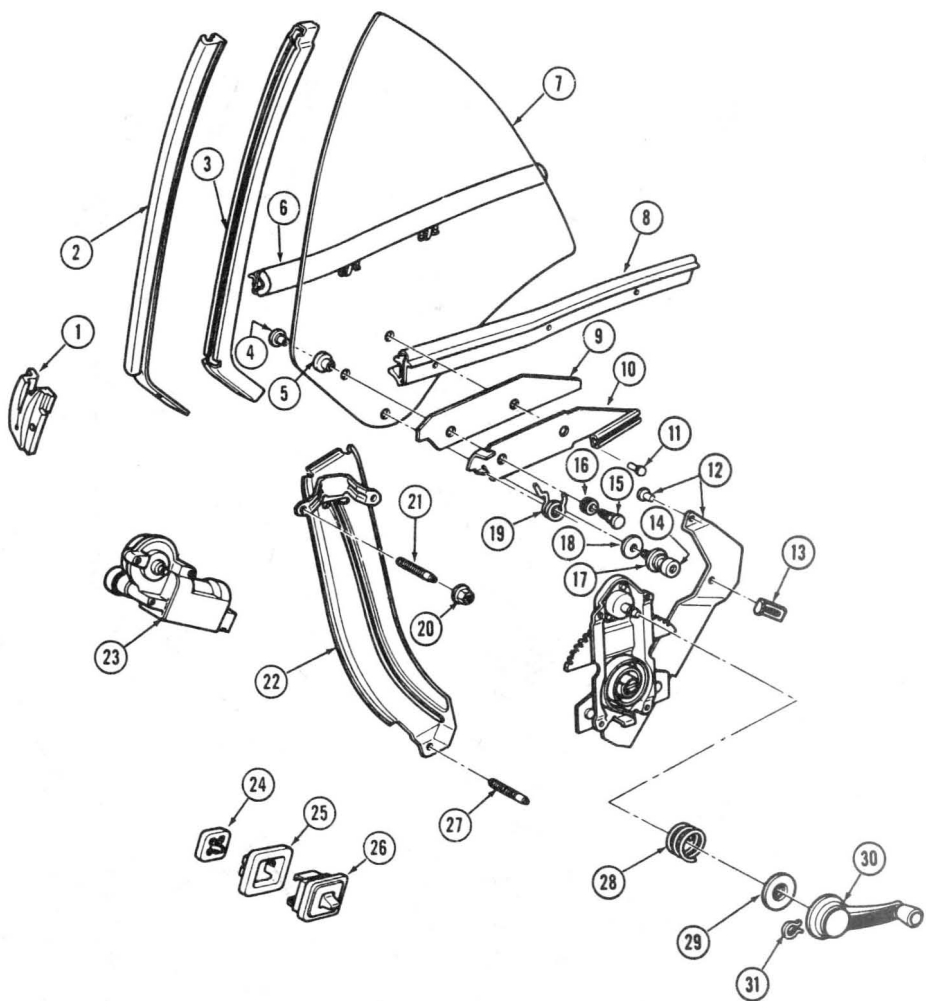
Key	Description	Group
11	Guide, Quarter Window	11.040
12	Stop, Quarter Window—Upper	11.012
13	Stud, Quarter Window Guide—Rear	11.040
14	Stud, Quarter Window Guide—Front	11.040
15	Roller, Quarter Window Lower Sash Channel	11.007
16	Guide, Quarter Window	11.040
17	Weatherstrip, Quarter Window Frame	11.015
18	Glass, Quarter Window	11.011
19	Strip, Quarter Window Glass Run—Outer	11.015
20	Strip, Quarter Window Glass Run—Inner	11.015
21	Channel, Quarter Sash—Front and Lower	11.007



1968 REAR QUARTER WINDOW (3177-3277-3577-3677-4477)
TYPICAL OF 1969-72

Key	Description	Group
1	STRIP, Quarter Window Glass Run Front Sealing	11.022
2	CHANNEL ASSY., Quarter Window Glass Run Front	11.021
3	CHANNEL ASSY., Quarter Window Front Sash	11.007
4	FILLER, Quarter Window Front Sash Channel	N.S.
5	GLASS, Quarter Window	11.011
6	STRIP ASSY., Quarter Window Outer at Belt	11.015
7	STRIP, Quarter Window Glass Run Rear Sealing	11.022
8	CHANNEL ASSY., Quarter Window Glass Run Rear	11.021
9	CLIP, Quarter Window Glass to Regulator	11.041
10	ROLLER, Quarter Window Glass to Regulator	11.007
11	WASHER, Quarter Window Glass to Regulator	11.007
12	STRIP ASSY., Quarter Window Inner at Belt	11.015

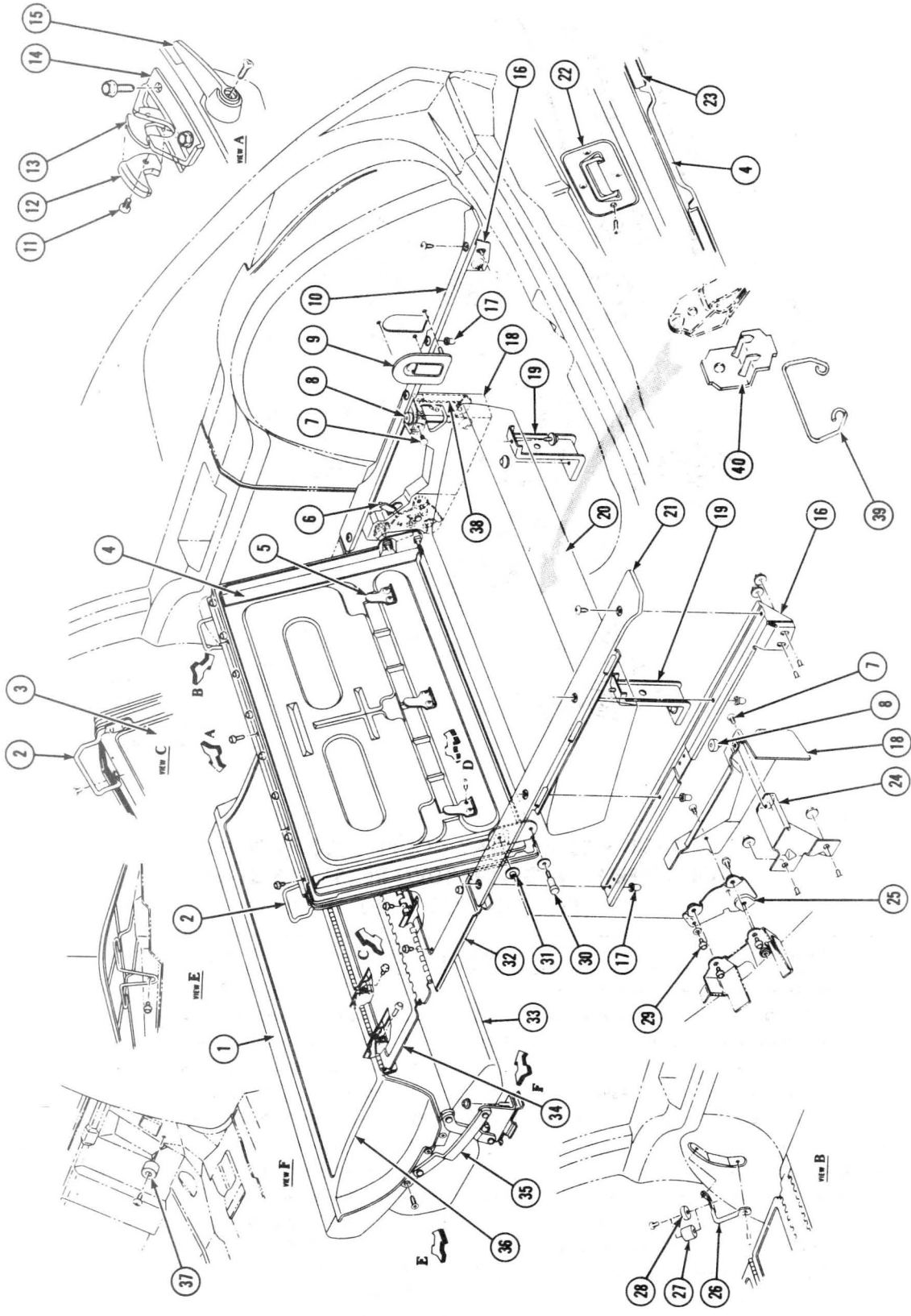
Key	Description	Group
13	NUT, Quarter Window Glass to Regulator	11.007
14	BUSHING, Quarter Window Glass to Regulator	11.007
15	REGULATOR ASSY., Quarter Window	11.041
16	MOTOR ASSY., Quarter Window Regulator	11.041
17	RETAINER, Quarter Window Switch Escutcheon	10.777
18	SWITCH & ESCUTCHEON, Quarter Window	10.777
19	STOP ASSY., Quarter Window Lower	11.012
20	GASKET, Quarter Window Regular Handle	10.517
21	PLATE, Quarter Window Regulator Handle Bearing	10.665
22	SPRING, Quarter Window Regulator Handle Retaining	11.047
23	HANDLE ASSY., Quarter Window Regulator	10.797



**1968- F-85 HOLIDAY COUPE & CONVERTIBLE
 QUARTER WINDOW HARDWARE (STYLES 57-67-87)
 (TYPICAL 1969 THRU 1972)**

Key	Description	Group
1	STRIP ASSY., Body Lock Pillar Upper Corner Sealing	10.694
2	WEATHERSTRIP ASSY., Quarter Window Frame Vertical	11.015
3	CHANNEL, Quarter Window Front Sash	11.007
4	NUT, Quarter Window Roller	11.007
5	BUSHING, Quarter Window Guide Lower Roller	11.007
6	STRIP ASSY., Quarter Window Outer at Belt	11.015
7	GLASS, Quarter Window	11.011
8	STRIP ASSY., Quarter Window Inner at Belt	11.015
9	FILLER, Quarter Window Lower Sash Channel	11.007
10	CHANNEL ASSY., Quarter Window Lower Sash	11.007
11	BOLT, Quarter Window Lower Sash Channel to Glass	11.007
12	REGULATOR ASSY., Quarter Window Manual	11.041
13	STOP ASSY., Quarter Window Upper	11.012
14	ROLLER, Quarter Window Guide Lower	11.007
15	PIN, Quarter Window Sash Channel Front Roller	11.007
16	ROLLER, Quarter Window Sash Channel Front	11.007

Key	Description	Group
17	WASHER, Quarter Window Guide Lower Roller (Steel)	11.007
18	WASHER, Quarter Window Guide Lower Roller (Rubber)	11.007
19	SPRING, Quarter Window Sash Channel Front Roller	11.007
20	NUT, Quarter Window Guide to Panel	11.012
21	STUD, Quarter Window Guide Upper	11.040
22	GUIDE ASSY., Quarter Window	11.040
23	MOTOR ASSY., Quarter Window Regulator Electric	11.041
24	REINFORCEMENT, Quarter Trim at Window Switch	10.777
25	RETAINER, Window Switch Escutcheon One Button	10.777
26	SWITCH & ESCUTCHEON ASSY., Quarter Window One Button	10.777
27	STUD, Quarter Window Guide Lower	11.040
28	SPRING, Quarter Window Regulator Handle	11.047
29	PLATE, Quarter Window Regulator Handle Bearing	10.665
30	HANDLE ASSY., Quarter Window Regulator	11.044
31	SPRING, Quarter Regulator Handle Retaining	11.047



1976 STATION WAGON LOAD FLOOR (35)

1976 STATION WAGON LOAD FLOOR (35)

Key	Description	Group
1.	FRAME ASM., Fldg. 2nd Seat Back	11.628
2.	STRIKER, Lugg. Compt. Rear Panel-Right & Left	12.977
3.	PANEL ASM., Lugg. Compt.-Rear	12.975
4.	PANEL ASM., Lugg. Compt.-Front	12.975
5.	RETAINER, Fldg. 3rd Seat Back Panel Trim	11.620
6.	LOCK ASM., Fldg. 3rd Seat Back	11.620
7.	FASTENER, Pivot Support Cover	11.620
8.	BUMPER, Lugg. Compt. Panel Stop	11.620
9.	CATCH, Spare Tire Cover Panel	12.579
10.	FILLER, Compt. Pan Longitudinal Bar to Spare Tire Cover Panel-RH	12.981
11.	FASTENER, Cover to Lock	11.620
12.	COVER, Fldg. 2nd Seat Back Lock	11.620
13.	LOCK ASM., Fldg. 2nd Seat Back-RH	11.620
14.	RETAINER, Fldg. 2nd Seat Lock-RH	11.620
15.	HANDLE, Fldg. 2nd Seat Back Lock	11.620
16.	SUPPORT, Rear Floor Filler Outer Panel-RH & LH	12.977
17.	CAP, Filler Screw Protector	12.977
18.	COVER, Fldg. 2nd Seat Pivot Support	11.620
19.	SUPPORT, Fldg. 3rd Seat Cushion-Front	11.620
20.	FRAME ASM., Fldg. 3rd Seat Bottom	11.610
21.	FILLER, Compt. Pan Longitudinal Bar to Wheelhouse Cover-LH	12.981
22.	HANDLE ASM., Luggage Compt. Panel Opening	12.977
23.	STRIP, Lugg. Compt. Panel to Rear Cross Bar-Anti-Rattle	12.977
24.	STOP, Lugg. Compt. Panel-LH	12.977
25.	SUPPORT, Lugg. Compt. Panel Pivot-RH & LH	11.620
26.	STRIKER, Fldg. 2nd Seat Back (Used as Supt.)-RH & LH	11.620
27.	BUMPER, Fldg. 2nd Seat Back Supt.-On Striker	11.620
28.	BUMPER, Fldg. 2nd Seat Back Lock Striker-RH	11.620
29.	SCREW, Bushing to Support	11.620
30.	STRIKER, Lugg. Compt. Front Panel (Used as Stop)-RH & LH	11.620
31.	BUSHING, Lugg. Compt. Panel Pivot	12.975
32.	PANEL, Compt. Floor-at Kick-Up	12.975
33.	FRAME ASM., Fldg. 2nd Seat Cushion	11.373
34.	PANEL ASM., Fldg. 2nd Seat Back Filler	12.975
35.	LINK ASM., Fldg. 2nd Seat Back-Right & Left	11.620
36.	PANEL ASM., Fldg. 2nd Seat Back	12.975
37.	BUMPER, Fldg. 2nd Seat Back Filler Panel-On Floor	11.620
38.	STOP, Lugg. Compt. Panel-RH	12.977
39.	CATCH, 3rd Seat Bottom Frame	11.620
40.	RETAINER, 3rd Seat Bottom Frame	11.620



NOTES

A series of horizontal lines for taking notes, starting below the 'NOTES' header and extending to the bottom of the page.