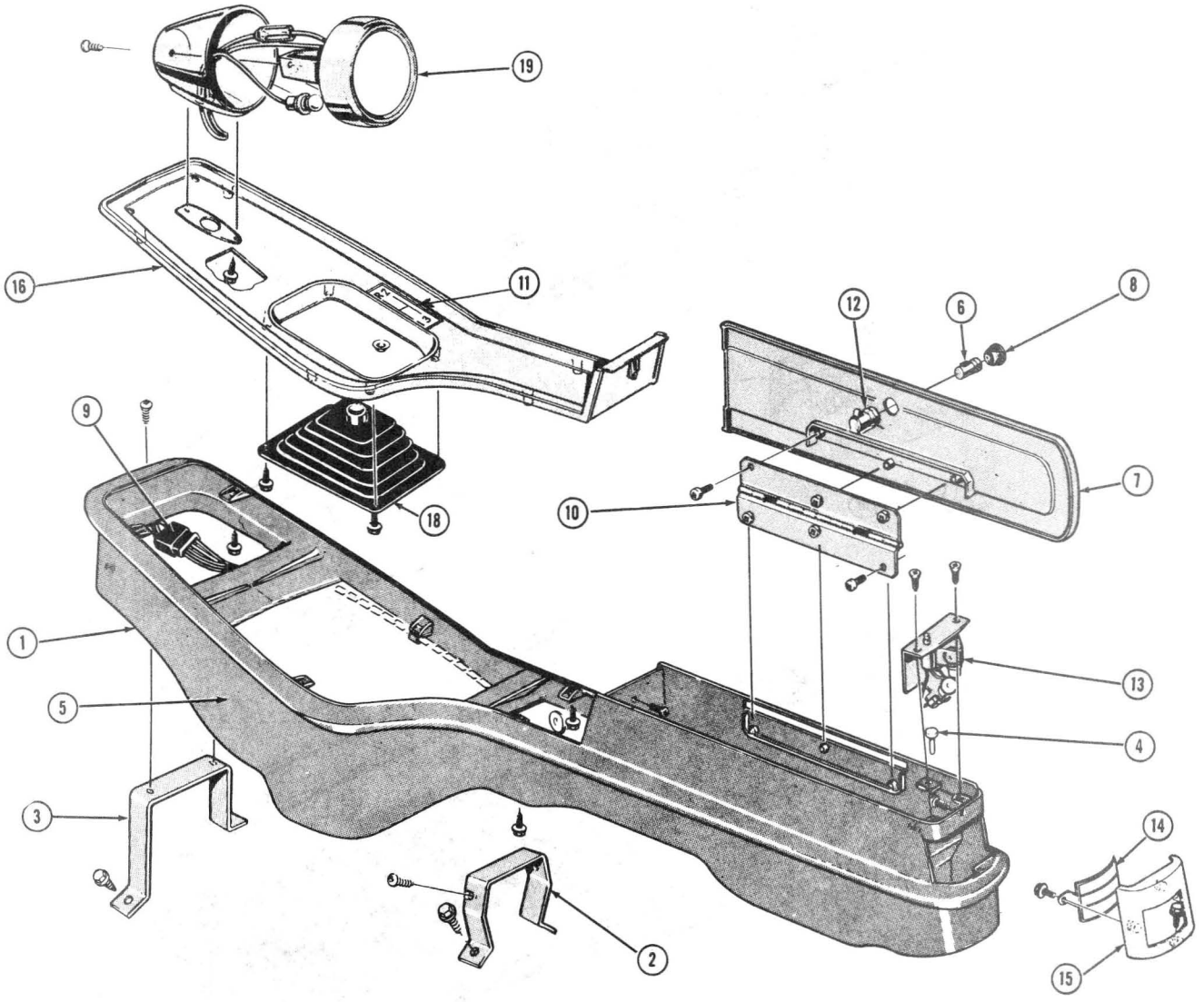


# GROUP 10.000 INDEX

PAGE	ILLUSTRATION
10- 1	SYNCHROMESH TRANS. CONSOLE—TYPICAL
10- 2	AUTOMATIC TRANS. CONSOLE—TYPICAL
10- 3	1970 CONSOLE BODY DETAILS—TYPICAL 1971-72
10- 4	1973-75 CONSOLE BODY DETAILS
10- 5	1976 CONSOLE
10- 6	1976 WINDSHIELD WIPER MOTOR
10- 7	1976 PULSE WINDSHIELD WASHER PUMP
10- 9	1969 BODY FRONT END HARDWARE
10-10	1967-69 REMOTE CONTROL MIRROR
10-11	4 DOOR FRONT VENTILATOR ASSY.
10-12	1964-67 FRONT DOOR HARDWARE
10-14	1968 FRONT DOOR HARDWARE
10-16	1969 FRONT DOOR HARDWARE (-67-87)
10-18	1970 FRONT DOOR HARDWARE—CONVERTIBLE AND HOLIDAY COUPE—TYPICAL 1971-72
10-20	1973-75 FRONT DOOR HARDWARE (AG29-AJ29-35)
10-22	1973-75 FRONT DOOR HARDWARE (AF37-AG37-AJ57)
10-24	1976 FRONT DOOR HARDWARE (37-57)
10-26	1976 FRONT DOOR HARDWARE (29-35)
10-28	1964-67 REAR DOOR HARDWARE—TYPICAL
10-30	1968 REAR DOOR HARDWARE—TYPICAL 1969-72
10-32	1973-75 REAR DOOR HARDWARE (29-35)
10-34	1976 REAR DOOR HARDWARE (29-35)
10-36	WEATHER STRIPS—2 DOOR—TYPICAL
10-37	WEATHER STRIPS—4 DOOR—TYPICAL
10-38	WEATHER STRIPS—CONVERTIBLE—TYPICAL
10-39	WEATHER STRIPS—STATION WAGON—TYPICAL
10-40	1976 INSTRUMENT PANEL DETAILS
10-42	1976 WEATHER STRIPS—TYPICAL
10-43	1976 WEATHER STRIP RETAINERS—TYPICAL

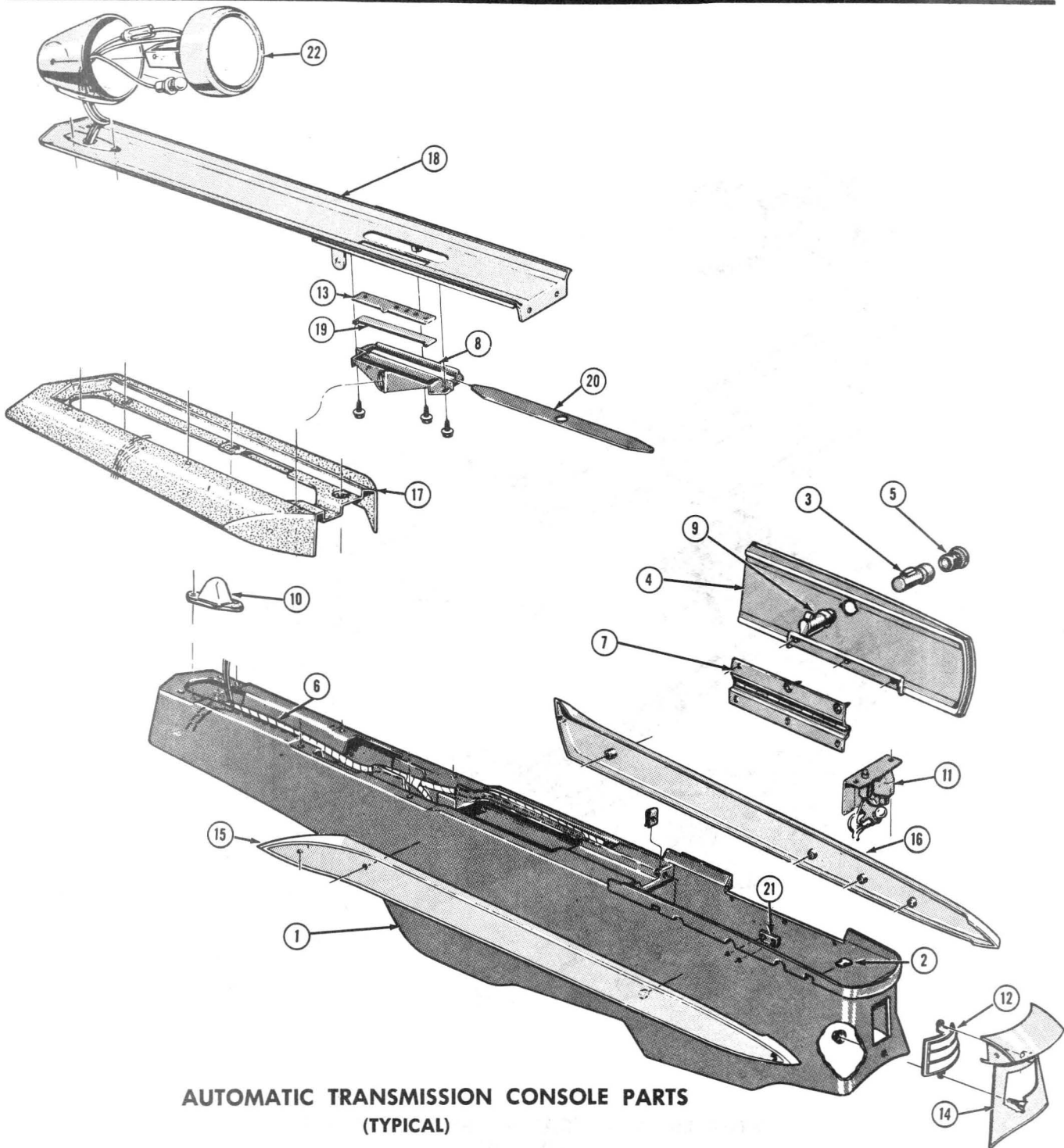




**SYNCHROMESH TRANSMISSION CONSOLE  
(TYPICAL)**

Key	Description	Group
1	Body, console .....	10.240
2	Bracket, console body mounting—centre .....	10.240
3	Bracket, console body mounting—front .....	10.240
4	Bumper, console door .....	10.263
5	Carpet, console .....	10.245
6	Cylinder, console compartment door lock .....	10.266
7	Door, console compartment .....	10.242
8	Escutcheon, console compartment door lock knob .....	10.267
9	Harness, console .....	2.480
10	Hinge, console compartment door .....	10.242

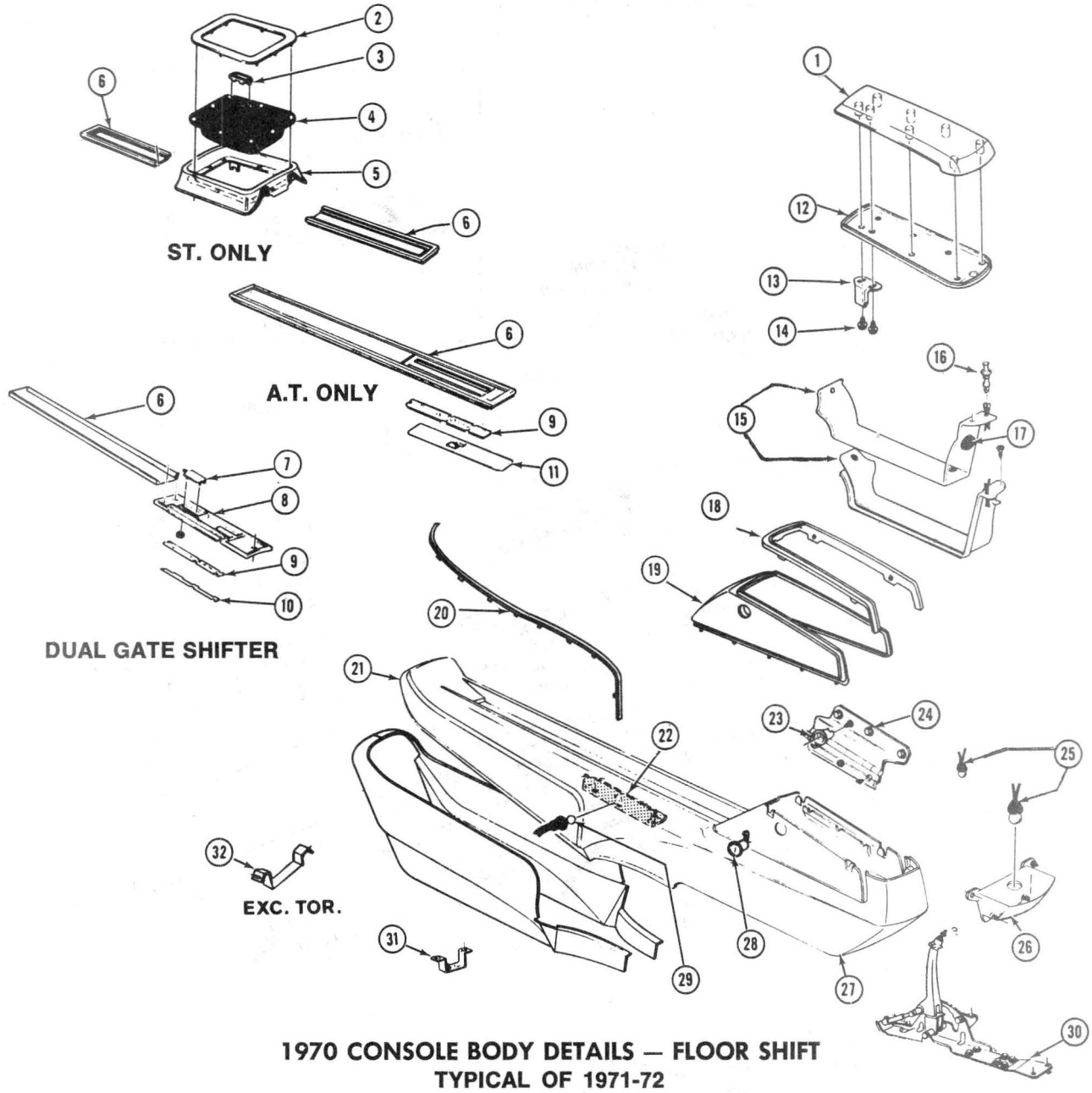
Key	Description	Group
11	Indicator, transmission shift pattern .....	4.038
12	Knob, console compartment door .....	10.266
13	Lamp, console .....	10.275
14	Lens, console rear compartment lamps .....	10.275
15	Moulding, console .....	10.240
16	Panel, console control .....	10.240
18	Seal, transmission lever .....	4.015
	Retainer, transmission control lever seal .....	4.015
19	Tachometer .....	9.750



Key	Description	Group
1	Body, console	10.240
2	Bumper, Console Door	10.263
3	Cylinder, console compartment door lock	10.266
4	Door, console compartment	10.242
5	Escutcheon, console compartment door lock knob	10.267
6	Harness, console	2.480
7	Hinge, console compartment door	10.242
8	Housing, shift indicator	4.020
9	Knob, console compartment door	10.266
10	Lamp, console	10.275
11	Lamp, console courtesy and glove box	10.275

Key	Description	Group
12	Lens, console rear compartment lamp	10.275
13	Lens, shift indicator	4.020
14	Moulding, console-rear	10.240
15	Moulding, console side-left	10.240
16	Moulding, console side-right	10.240
17	Pad, console safety	10.245
18	Panel, console control	10.240
19	Plate, shift indicator backing	4.022
20	Seal, transmission shifter	4.008
21	Striker, console door lock	10.242
22	Tachometer	9.750

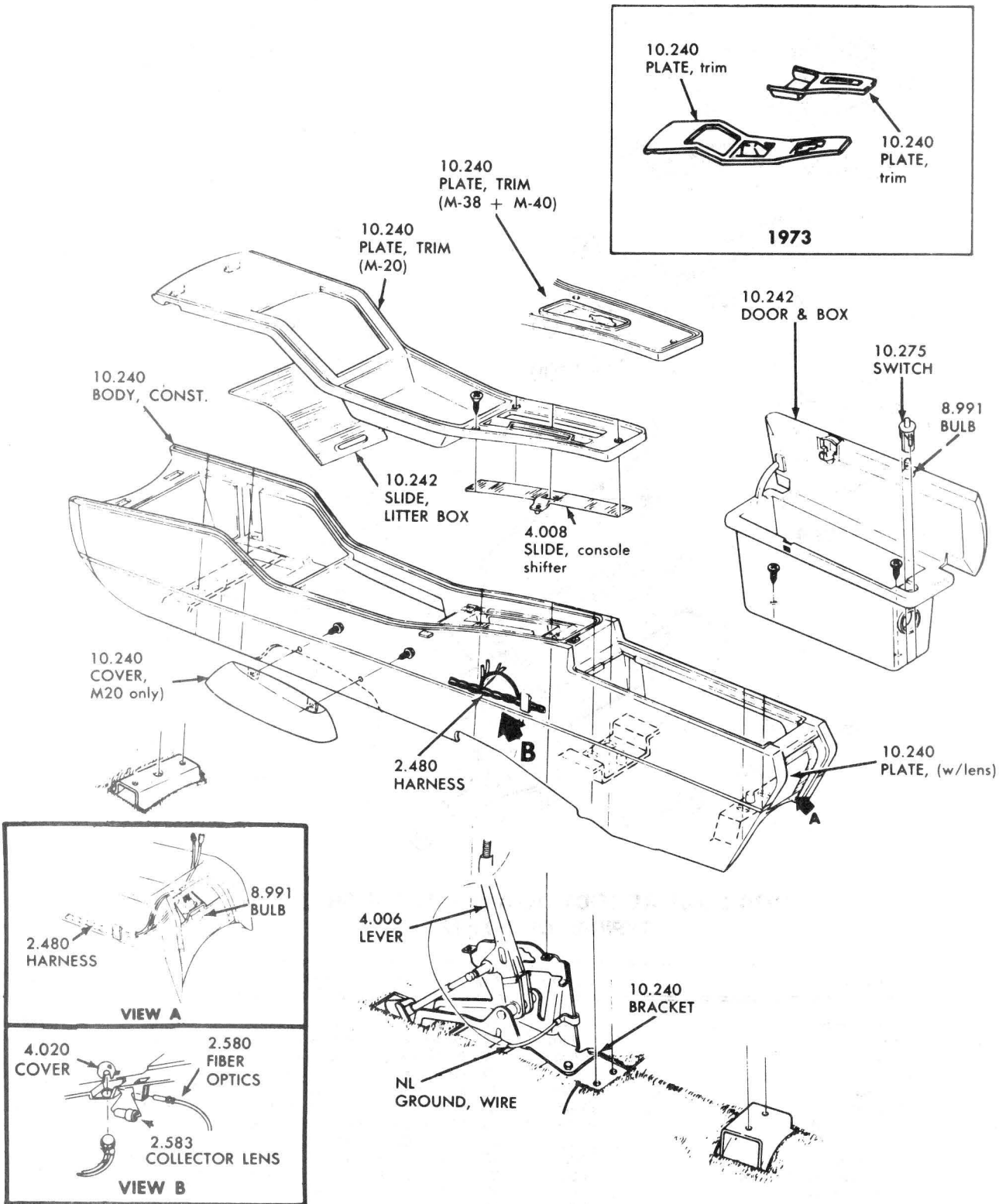




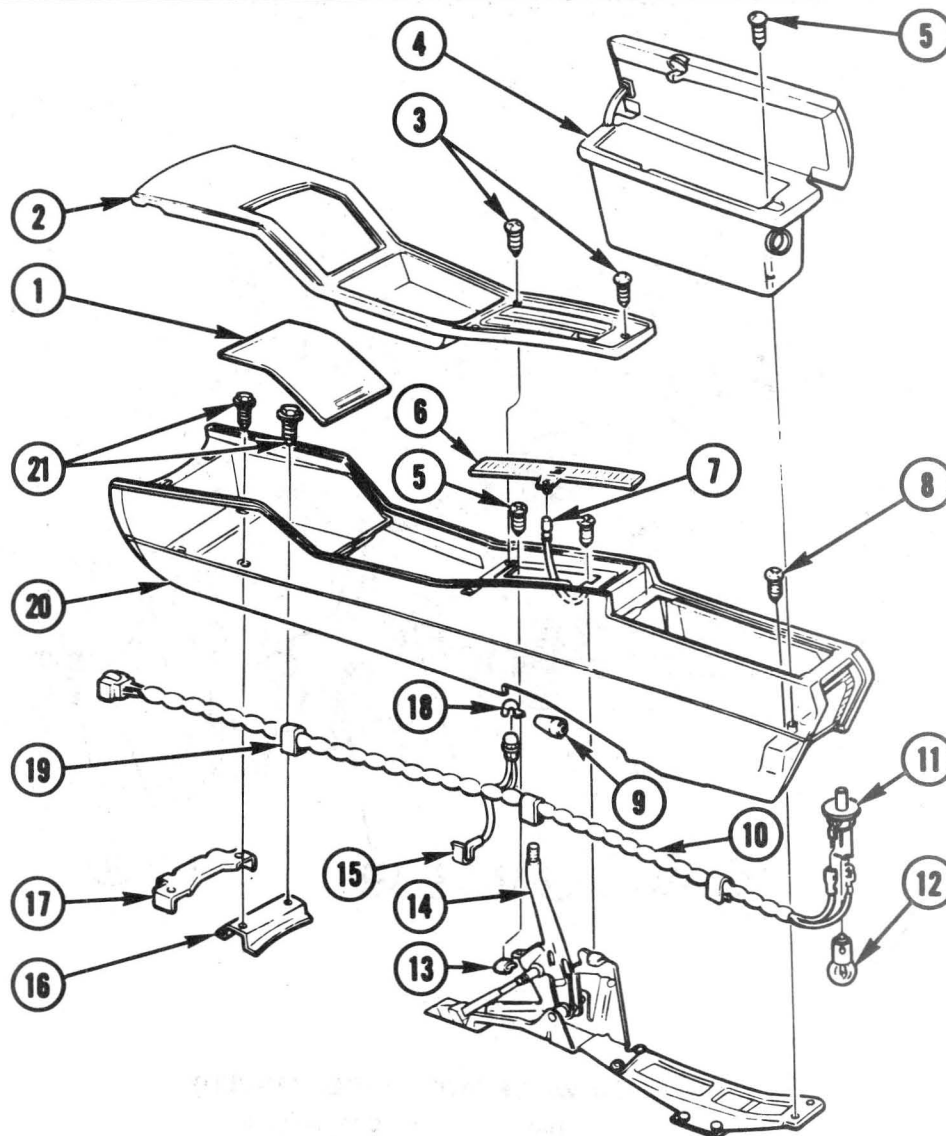
**1970 CONSOLE BODY DETAILS — FLOOR SHIFT**  
**TYPICAL OF 1971-72**

Key	Description	Group
1	Door, Console Compartment .....	10.242
2	Bezel, Console Adapter .....	10.240
3	Escutcheon, Shift Lever .....	4.006
4	Seal, Transmission Shift Lever .....	4.015
5	Adapter, Floor Console .....	10.240
6	Panel, Console Control .....	10.240
7	Emblem, Shift Control Bezel .....	10.240
8	Bezel, Shift Control .....	10.240
9	Lens, Console Shift Indicator .....	4.020
10	Plate, Console Shift Indicator Backing .....	4.022
11	Seal, Transmission Shift Lever .....	4.008
12	Panel, Console Door Inner .....	10.242
13	Striker, Console Door Lock .....	10.242
14	Screw, Striker to Inner Panel and Console Door .....	8.977
15	Floor, Console Compartment — Left and Right .....	10.240
16	Switch, Floor Console Compartment Lamp .....	10.275

Key	Description	Group
17	Plug, Console Floor .....	N.S.S.
18.	Moulding, Console — Trim Panel .....	10.240
19	Panel, Console Upper Trim — Less Mldg. ....	10.240
20	Moulding, Console — Lower .....	10.240
21	Body, Console — Upper .....	10.240
22	Retainer, Console Shift Indicator Lamp .....	4.022
23	Retainer, Console Lock Cylinder .....	10.267
24	Hinge, Console Door .....	10.242
25	Bulb, Courtesy Lamp — #97, Compartment Lamp — #1895 .....	8.991
26	Lens, Console — Courtesy Lamp .....	10.275
27	Body, Console — Lower .....	10.240
28	Knob, Console Compartment Door — Less Cylinder .....	10.266
29	Bulb, Shift Indicator .....	8.944
30	Bracket, Console Shift Lever .....	4.010
31	Bracket, Console Body Mounting — Rear .....	10.240
32	Bracket, Console Body Mounting — Front .....	10.240

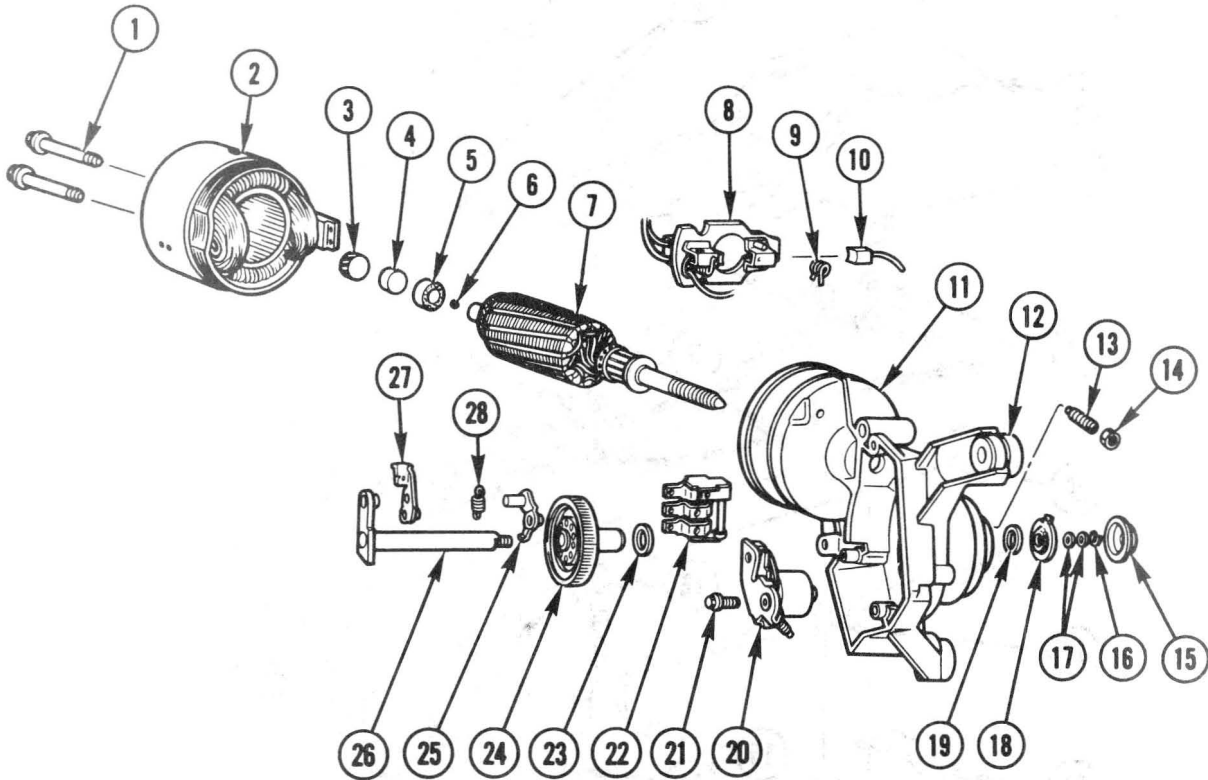


**1973-75 CONSOLE BODY DETAILS**



**1976 CONSOLE**

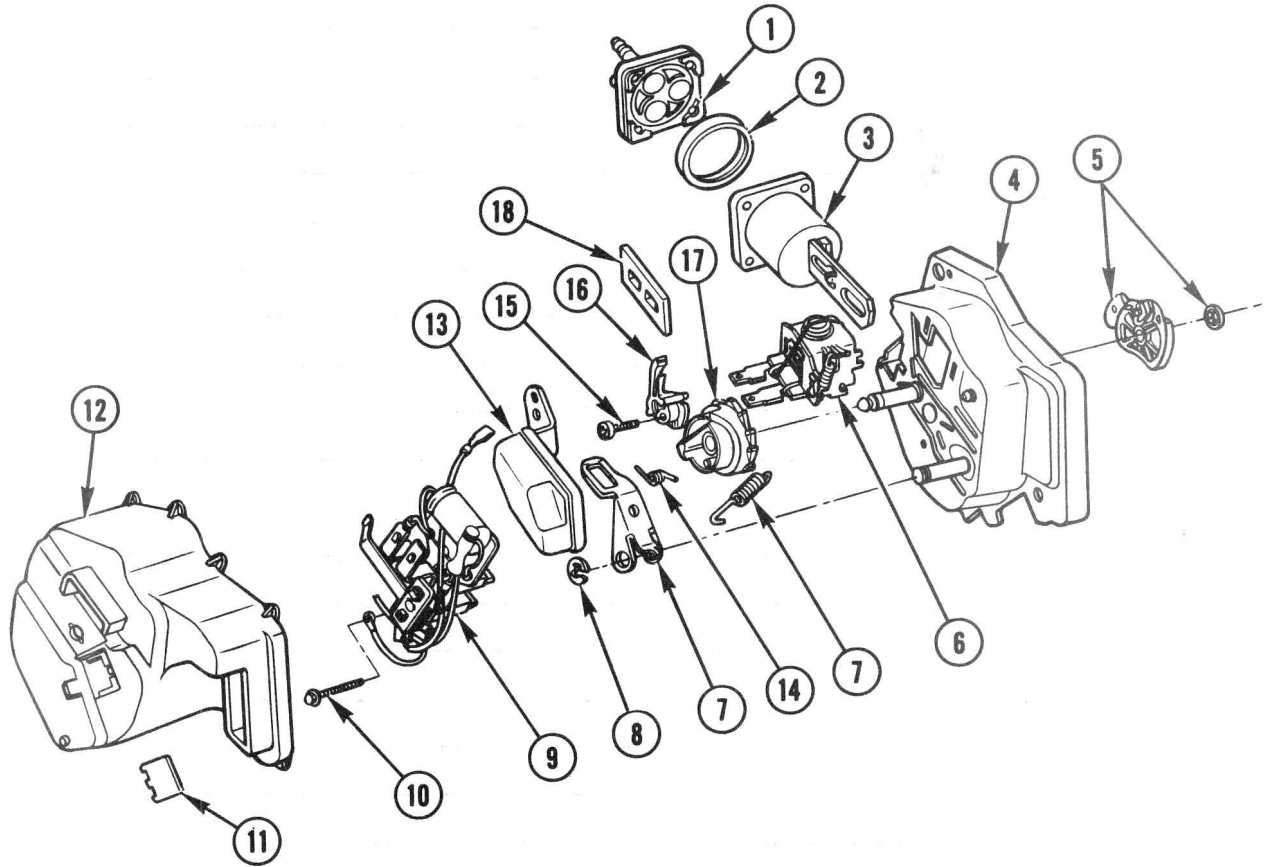
1. SLIDE,Litter Box Door .....	10.242
2. PLATE,Trim w/Lens .....	10.240
3. SCREW,8—18 x 3/4" .....	P&A 907
4. DOOR & BOX .....	10.242
5. SCREW,8—18 x 5/8" .....	P&A 907
6. SLIDE,Console Shifter .....	4.008
7. OPTICS ASM.,Fiber .....	2.580
8. SCREW,1/4"—14 x 3/4" .....	P&A 907
9. COLLECTOR LENS,Fiber Optics .....	2.583
10. WIRE,Console Harness .....	2.480
11. SWITCH ASM.,Console Box Lamp .....	10.275
12. BULB,Console Box Lamp .....	P&A 907
13. NUT,Spring 8—18 .....	P&A 907
14. LEVER,Trans. Control .....	4.006
15. CLIP .....	N.S.
16. PART OF BASE ASM.(Gr. 10.240) .....	N.S.
17. PART OF BASE ASM.(Gr. 10.240) .....	N.S.
18. COVER,Bulb .....	4.020
19. CLIP .....	N.S.
20. BASE ASM.,Include Box & Trim Plate .....	10.240
21. SCREW,1/4"—14 x 1" .....	P&A 907



**1976 WINDSHIELD WIPER MOTOR (DEPRESSED)**

1. BOLT, Tie .....	10.150	15. CAP, Motor Seal .....	10.151
2. CASE, W/Coil, Motor Field .....	10.150	16. RING, Retaining (8.934) .....	10.151
3. DISC, Thrust (Rubber) .....	10.150	17. WASHER, End Play .....	10.150
4. DISC, Thrust (Steel) .....	10.150	18. CAP, Crank Arm Protector .....	10.151
5. WASHER, Thrust (Felt) .....	10.150	19. WASHER, Motor .....	10.151
6. BALL, Thrust .....	N.S.	20. MAGNET & SWITCH ASM., Motor .....	10.150
7. ARMATURE, Motor .....	10.150	21. SCREW, Switch to Hsg. ....	N.S.
8. HOLDER, Brush .....	10.150	22. SWITCH & TERMINAL BOARD ASM.,	
9. SPRING, Brush .....	10.150	Motor .....	10.150
10. BRUSH, Motor .....	10.150	23. WASHER, Motor .....	10.151
11. HOUSING, Motor .....	N.S.	24. GEAR & SHAFT ASM., Motor .....	10.151
12. GROMMET, Motor Mtg. Spacer .....	10.151	25. PAWL, Lock .....	10.151
13. SCREW, End Play Adj. ....	10.151	26. SHAFT & RING PKG., Drive .....	10.151
14. NUT, Adj. Screw Jamb (1/4"-28) .....	8.915	27. PAWL, Drive .....	10.151
		28. SPRING, Pawl .....	10.151

*NOTE: Not all original equipment and/or service replacement w/s wiper motors have identical serviceable parts. Refer to catalog group listings for specific service part application.*



GM10-17

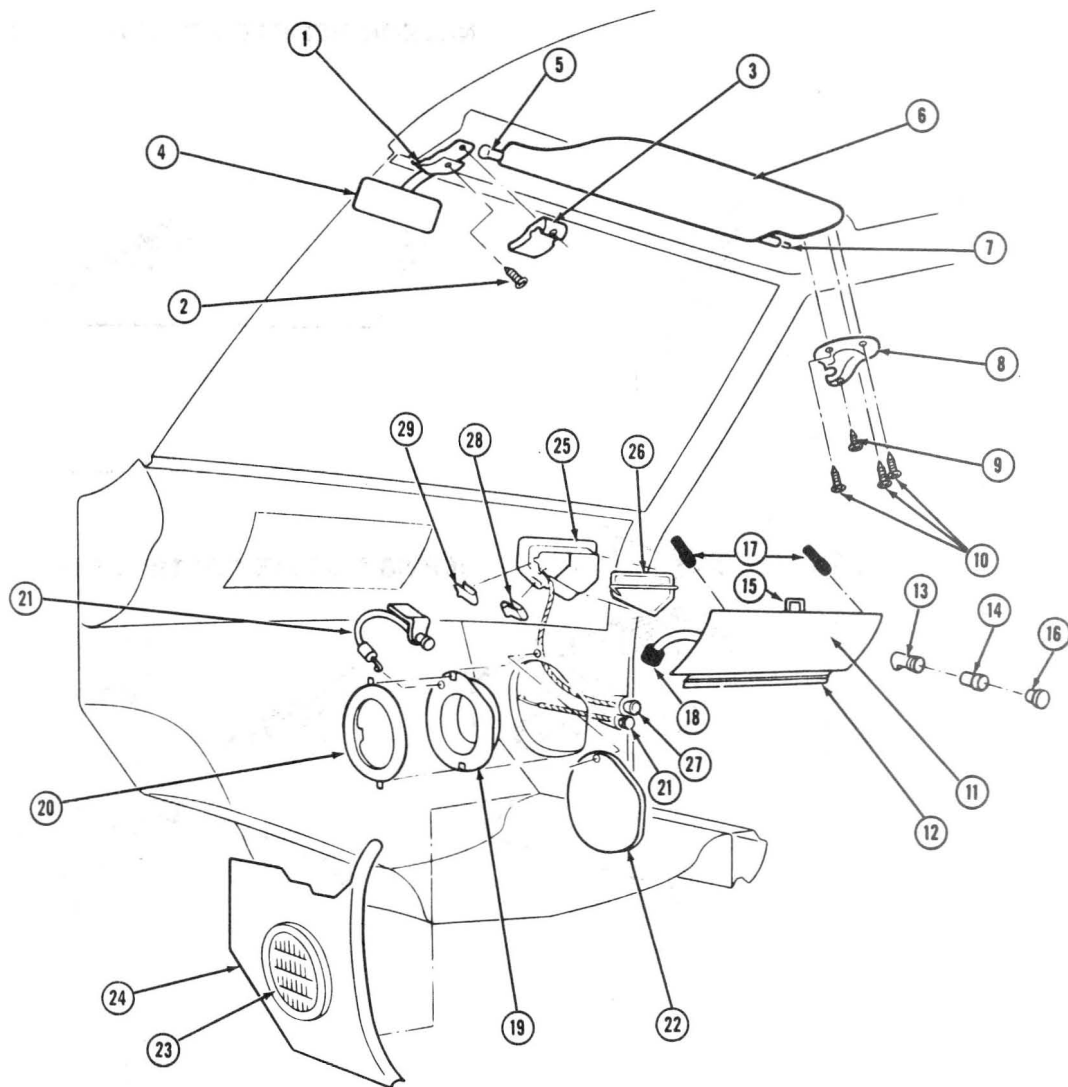
**1976 PULSE WINDSHIELD WASHER PUMP**

1. VALVE PKG., W/S Washer Pump .....	10.153
2. GASKET, Pump Piston .....	10.153
3. PISTON ASM., W/S Washer Pump .....	10.153
4. FRAME ASM., Washer Pump .....	N.S.
5. CAM & RING PKG., Pump Rotor .....	10.153
6. TERMINAL BOARD PKG., Washer Pump .....	10.153
7. PAWL PKG., Washer Pump .....	10.153
8. RING, Pump Pawl Retaining .....	N.S.
9. SWITCH ASM., Washer Pump .....	10.153
10. SCREW & WASHER, Switch to Frame (#6—32 x 1 <sup>7</sup> / <sub>8</sub> " ) .....	10.153
11. SHIELD, Washer Pump Dust .....	10.153
12. COVER, W/S Washer Pump .....	10.153
13. RELAY, Washer Pump .....	10.153
14. SPRING, Pump Ratchet .....	10.153
15. SCREW, Pump Dog Spring .....	10.153
16. DOG SPRING, Washer Pump .....	10.153
17. RATCHET, W/S Washer Pump .....	10.153
18. SEAL, Pump Terminal .....	10.153



NOTES

Lined area for notes, consisting of multiple horizontal lines.



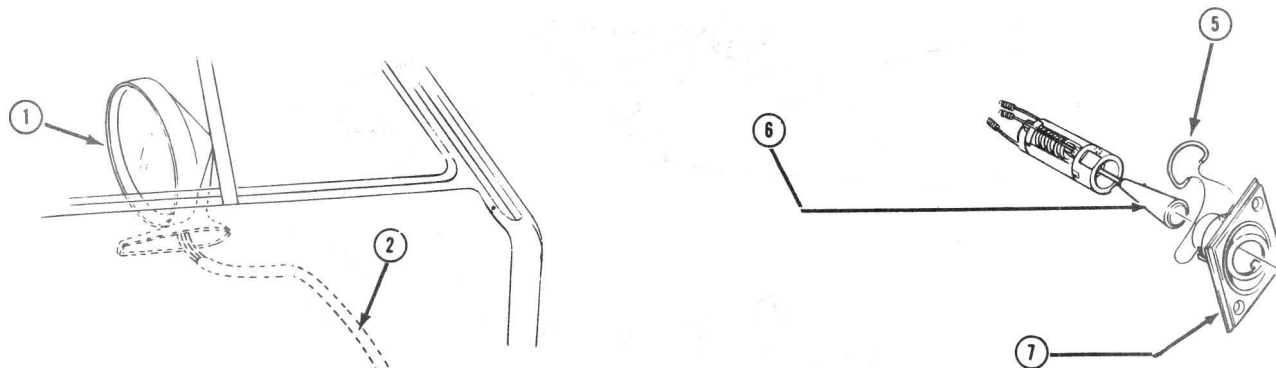
**1969 BODY FRONT END HARDWARE  
(TYPICAL OF 1970 THRU 1974)**

Key	Description	Group
1	SUPPORT, Rear View Mirror Less Cap .....	10.187
2	SCREW, Rear View Mirror Support to Frame .....	10.186
3	CAP, Rear View Mirror Support .....	10.187
4	MIRROR ASSY., Rear View .....	10.185
5	GROMMET, Sunshade Rod Anti Rattle .....	10.224
6	SUNSHADE ASSY., Windshield Padded .....	10.203
7	SLEEVE, Sunshade Support .....	10.219
8	SUPPORT ASSY., Sunshade .....	10.219
9	SCREW, Sunshade Support to Rod .....	10.219
10	SCREW, Sunshade Support to Body .....	<b>10.219</b>
11	DOOR ASSY., Glove Compartment .....	10.261
12	HINGE ASSY., Glove Compartment Door .....	10.262
13	CASE, Glove Compartment Door Less Cylinder .....	10.266
14	CYLINDER, Glove Compartment Door Lock .....	10.266
15	STRIKER, Glove Compartment Door Lock .....	10.268

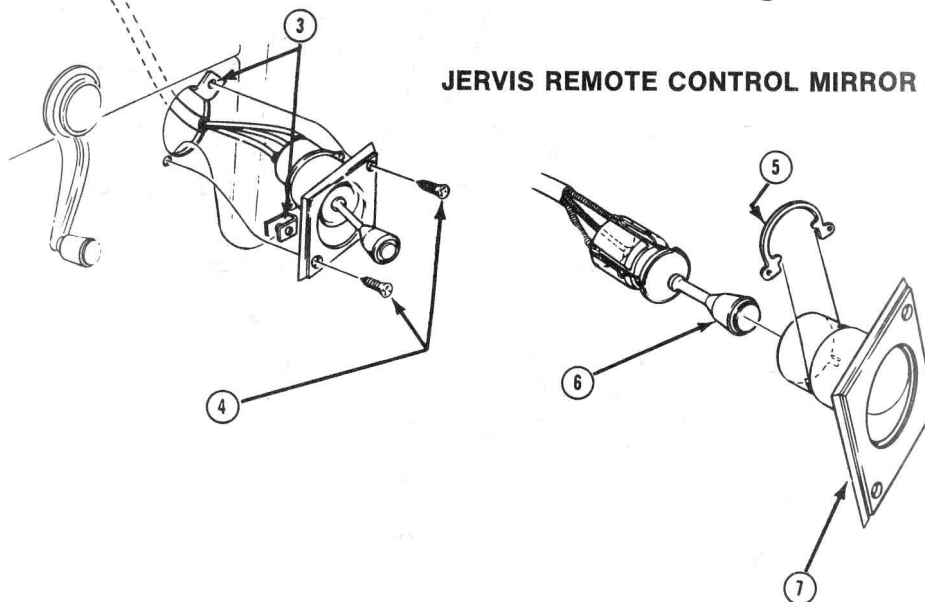
Key	Description	Group
16	ESCUTCHEON, Glove Compartment Door Lock .....	10.267
17	BUMPER, Glove Compartment Door .....	10.263
18	BUMPER, Glove Compartment Door Stop .....	10.268
19	OUTLET, Cowl Side Duct Air .....	9.789
20	DOOR, Cowl Side Duct Panel Air Outlet .....	9.789
21	CONTROL, Cowl Side Duct Panel Air (Lower) .....	9.787
22	COVER, Cowl Duct Air Outlet (w/c.a.c.) .....	9.789
23	GRILLE, Cowl Trim Panel .....	9.789
24	PANEL, Cowl Trim .....	14.630
25	OUTLET ASSY., Cowl Center Duct Air .....	9.789
26	DOOR ASSY., Cowl Center Duct Air Outlet .....	9.789
27	CONTROL, Cowl Center Duct Panel Air .....	9.787
28	RETAINER, Cowl Center Air Outlet Control Cable .....	9.787
29	RETAINER, Cowl Center Duct Air Outlet Door .....	9.787



**NELMOR REMOTE CONTROL MIRROR ONLY**



**JERVIS REMOTE CONTROL MIRROR ONLY**

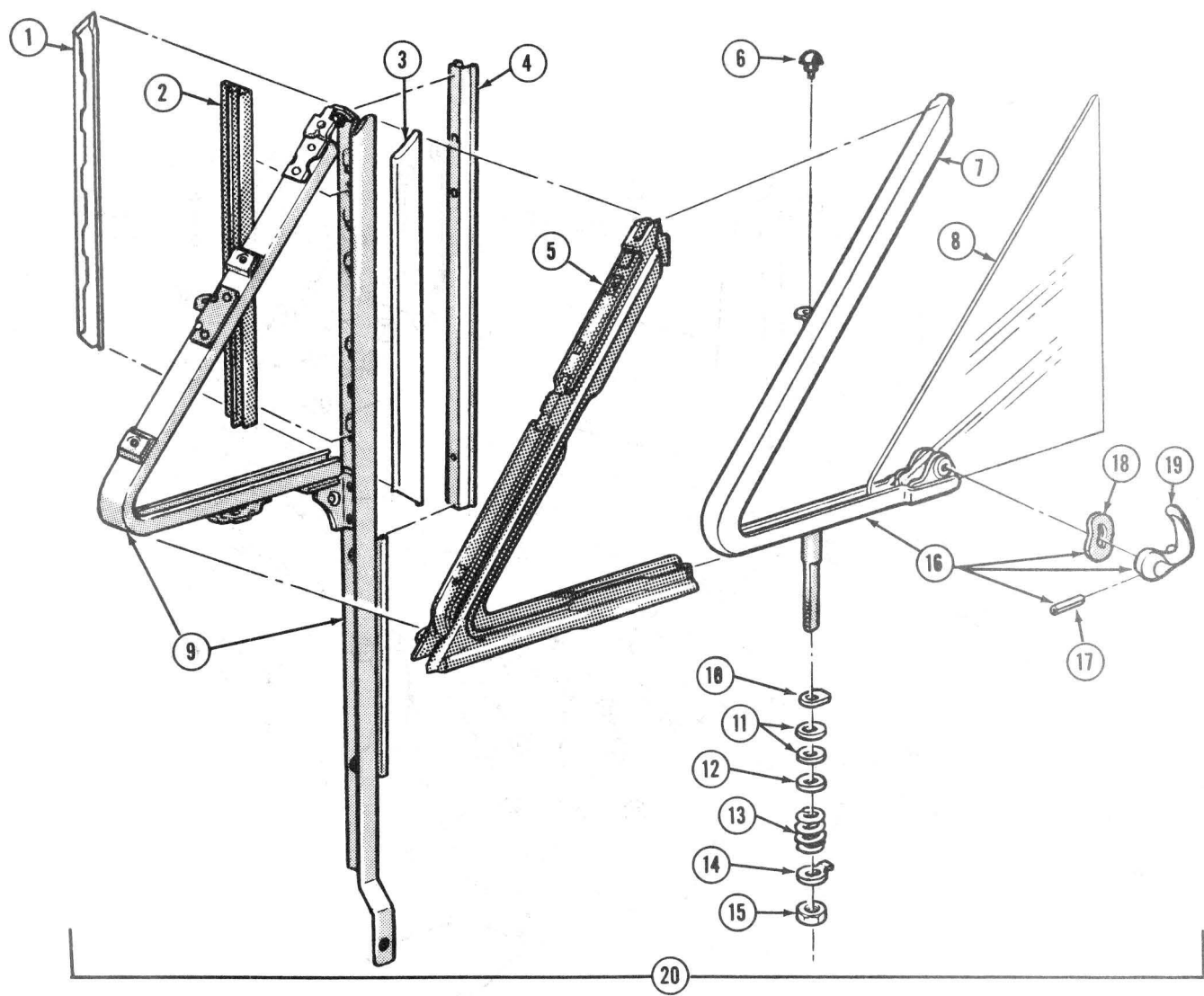


**1967 THRU 1969 REMOTE CONTROL MIRROR  
 (TYPICAL)**

Key	Description	Group
1	Mirror, Outside Rear View — Remote Controlled .....	10.185
2	Cable Assembly — Remote Control Mirror .....	N.S.S.
3	Nut, Remote Control Mirror Retaining .....	10.186
4	Screw, Escutcheon To Door Panel .....	8.977
5	Retainer, Remote Control Mirror Escutcheon .....	10.186
6	Knob, Remote Control Mirror .....	10.186
7	Escutcheon, Outside Rear View Mirror Remote Control .....	10.186

N.S.S.—Not Serviced Separately.

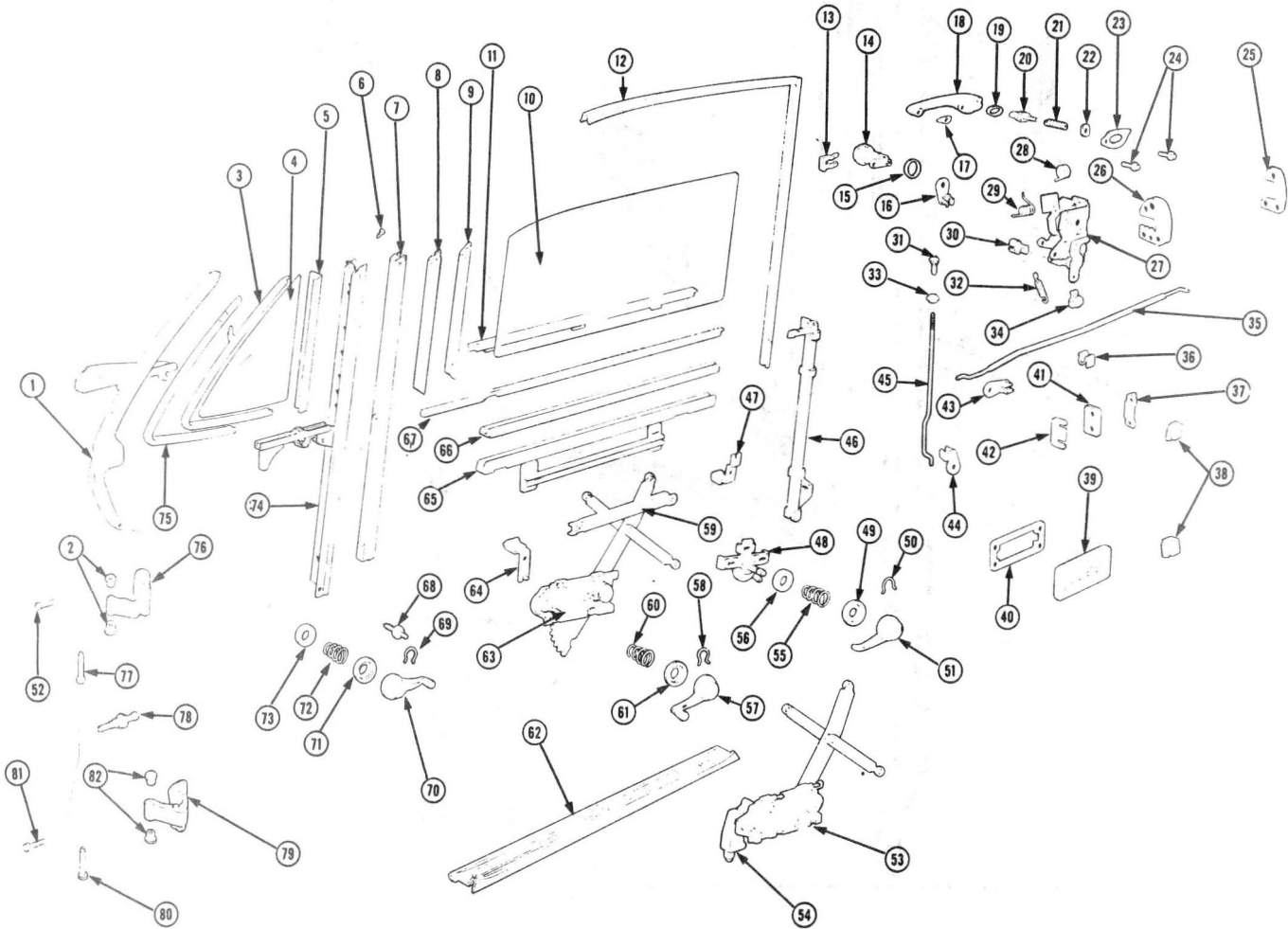




**4 DOOR FRONT VENTILATOR ASSEMBLY  
 (TYPICAL)**

Key	Description	Group
1	Scalp, front door vent (part of 9)	N.S.S.
2	Weatherstrip, front door vent division channel	10.652
3	Scalp, front door vent (part of 9)	N.S.S.
4	Channel, front door window glass run	10.701
5	Weatherstrip, front door ventilator	10.652
6	Rivet front door vent pivot hinge	10.669
7	Channel, front door vent glass (part of 16)	N.S.S.
8	Glass, front door vent	10.658
9	Channel and Scalps, front door vent division	10.686
10	Stop, front door vent friction unit	10.660

Key	Description	Group
11	Washer, front door vent friction unit tab	10.660
12	Washer, front door vent friction unit	10.660
13	Spring, front door vent friction unit	10.660
14	Washer, front door vent spring retainer	10.660
15	Nut, front door vent friction unit	S.S.
16	Channel, front door vent glass (includes 17, 18, 19)	10.655
17	Pin, front door ventilator handle retaining	10.664
18	Washer, front door vent locking handle	10.665
19	Handle, front door vent glass channel	10.664
20	Ventilator, front door (less glass)	10.650



**1964-67**  
**FRONT DOOR HARDWARE**  
**(TYPICAL)**

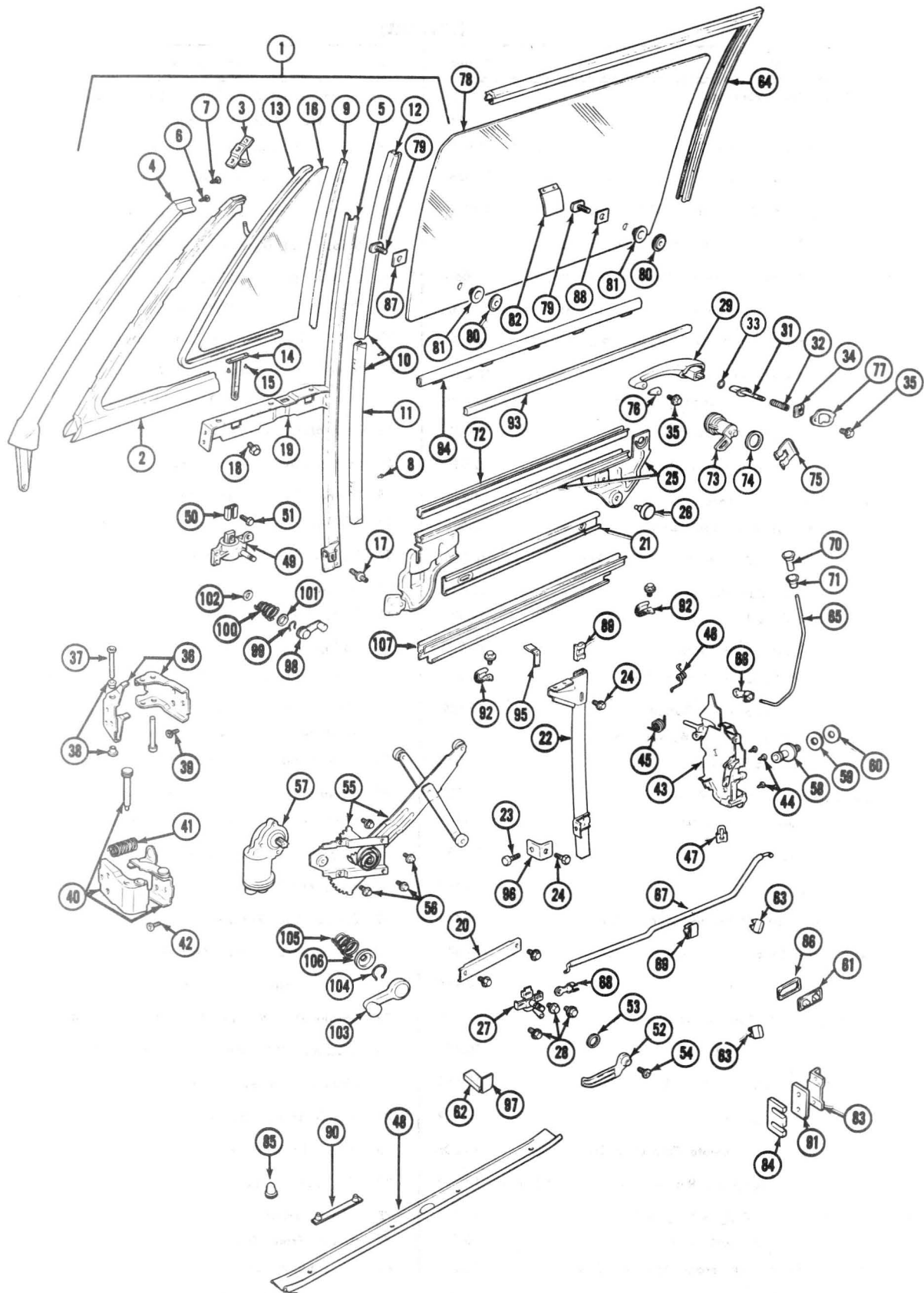


PARTS CATALOGUE

(TYPICAL)

Key	Description	Group
1	Frame, Front Door Ventilator .....	10.656
2	Bushing, Door Hinge .....	10.464
3	Channel, Front Door Vent Glass .....	10.655
4	Glass, Front Door Vent .....	10.658
5	Weatherstrip, Front Door Vent Division Channel .....	10.652
6	Screw, Vent Division Channel to Frame .....	N.L.
7	Channel, Front Door Window Glass Run—Front .....	10.688
8	Scalp, Front Door Vent Division—Inner (Part of #7) ...	N.S.S.
9	Scalp, Front Door Vent Division—Outer (Part of #7) ...	N.S.S.
10	Glass, Front Door Window .....	10.681
11	Strip, Front Door Window Glass Run Outer .....	10.710
12	Channel, Front Door Window Glass Run .....	10.701
13	Retainer, Front Door Lock Cylinder .....	10.551
14	Cylinder, Front Door Lock .....	10.550
15	Gasket, Lock Cylinder—Front Door .....	10.550
16	Clip, Front Door Lock Cylinder to Lock Rod .....	10.565
17	Gasket, Door Outside Handle .....	10.537
18	Handle, Door Outside .....	10.527
19	Ring, Door Handle Push Button .....	10.529
20	Button and Shaft, Door Handle Push .....	10.529
21	Spring, Door Handle Push Button .....	10.529
22	Washer, Door Handle Push Button Stop .....	10.529
23	Gasket, Door Outside Handle .....	10.537
24	Screw, Door Outside Handle to Door .....	10.527
25	Plate, Door Lock Striker Anchor .....	10.571
26	Striker, Door Lock .....	10.569
27	Lock, Front Door .....	10.470
28	Spring, Front Door Lock—Push Button Return .....	10.474
29	Spring, Front Lock—Over Centre .....	10.474
30	Clip, Door Lock Spring .....	10.474
31	Knob, Door Inside Locking Rod .....	10.559
32	Spring, Front Door Lock .....	10.474
33	Ferrule, Door Locking Rod Knob .....	10.560
34	Clip, Door Lock Spring .....	10.474
35	Rod, Front Door Lock Remote Control to Lock .....	10.506
36	Clip, Front and Rear Door Remote Control to Lock Rod ..	10.506
37	Plate, Front Door Wedge—Body Side .....	10.584
38	Bumper, Front Door Lock Pillar .....	10.587
39	Switch and Escutcheon, Front Door Window .....	10.777
40	Retainer, Front Door Window Lift Switch Escutcheon ...	10.777
41	Plate, Front Door Wedge—Door Side .....	10.584

Key	Description	Group
42	Spacer, Front Door Wedge Plate to Door .....	10.584
43	Clip, Front Door Lock Remote Control Rod .....	10.565
44	Clip, Front Door Lock Cylinder to Lock Rod .....	10.565
45	Rod, Door Inside Locking to Lock—Front .....	10.563
46	Channel, Front Door Window Glass Run .....	10.701
47	Stop, Front Door Window—Rear .....	10.716
48	Control, Door Lock Remote .....	10.500
49	Plate, Control Handle Bearing .....	10.515
50	Spring, Door Remote Control Handle Retaining .....	10.512
51	Handle, Door Lock Remote Control .....	10.512
52	Bolt, Door Hinge—To Door .....	10.463
53	Regulator, Front Door Window Electric .....	10.783
54	Motor, Power Window Electric .....	10.783
55	Spring, Door Window Regulator Handle Bearing Plate ..	10.806
56	Washer, Door Remote Control Handle Sealing .....	10.517
57	Handle, Window Regulator .....	10.797
58	Spring, Door Remote Control Handle Retaining .....	10.512
59	Cam, Front Door Inner Panel .....	10.687
60	Spring, Window Regulator Handle Bearing Plate .....	10.806
61	Plate, Control Handle Bearing .....	10.515
62	Plate, Front Door Sill .....	11.175
63	Regulator, Front Door Window—Manual .....	10.783
64	Stop, Front Door Window—Front .....	10.716
65	Channel, Front Door Window Lower Sash .....	10.685
66	Filler, Door Window Lower Sash Channel .....	10.685
67	Strip, Front Door Window Glass Run Inner .....	10.710
68	Stud, Front Door Vent to Inner Panel Rear Lower .....	10.670
69	Spring, Door Remote Control Handle Retaining .....	10.512
70	Handle, Front Door Vent Glass Channel .....	10.664
71	Plate, Control Handle Bearing .....	10.515
72	Spring, Door Window Regulator Handle Bearing Plate ..	10.806
73	Washer, Door Remote Control Handle Sealing .....	10.517
74	Channel and Scalps, Front Door Vent Division .....	10.686
75	Weatherstrip, Front Door Ventilator .....	10.652
76	Hinge, Front Door Upper .....	10.450
77	Pin, Door Hinge .....	10.466
78	Switch, Front Door Jamb .....	11.950
79	Hinge, Front Door Lower .....	10.450
80	Pin, Door Hinge .....	10.466
81	Bolt, Door Hinge—To Door .....	10.463
82	Bushing, Door Hinge .....	10.464

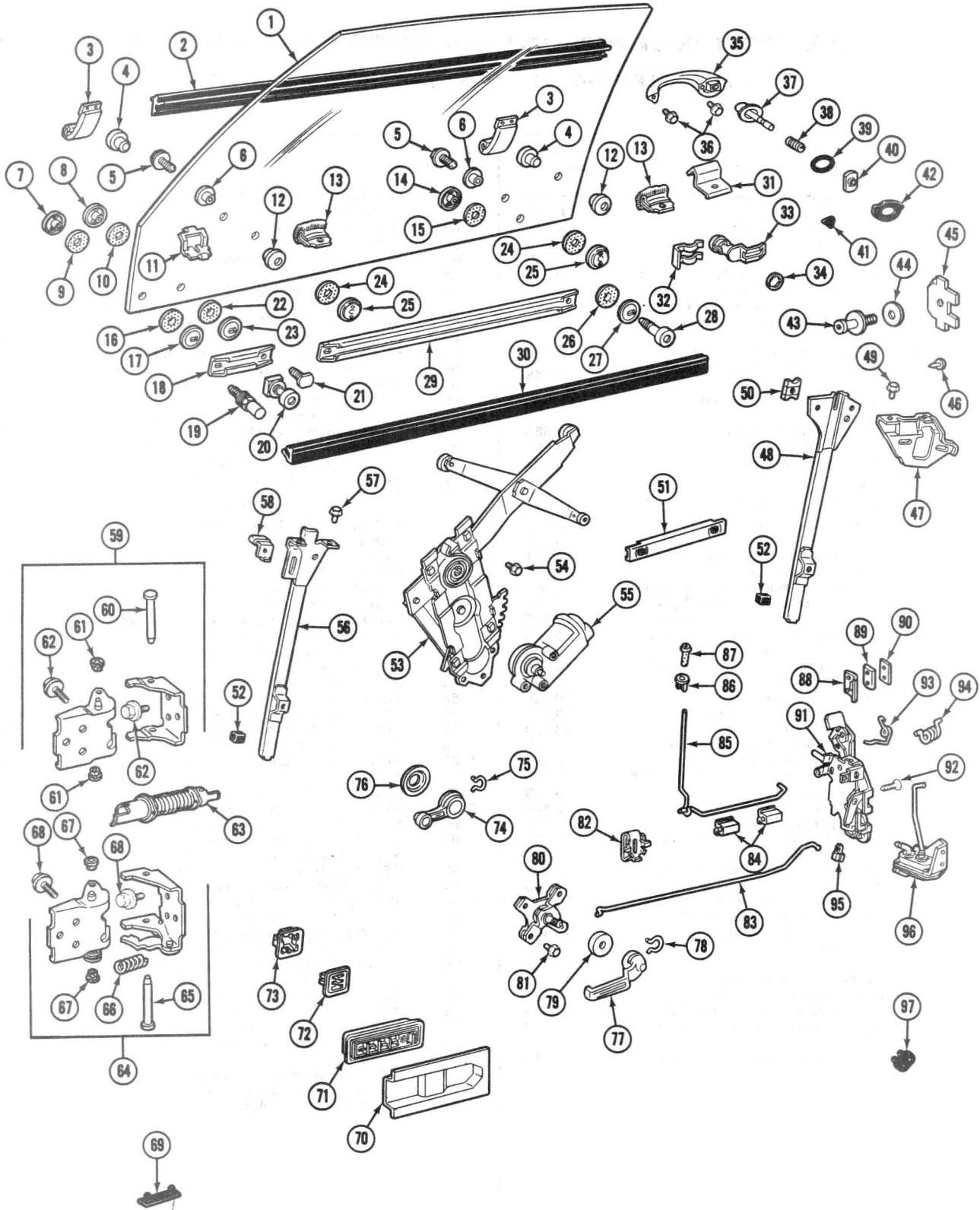


**1968 FRONT DOOR HARDWARE (\*HARDTOPS) (\*\*EXC. HARDTOPS)  
TYPICAL EXCEPT 1969-72 CONV. AND HOLIDAY COUPES**

**1968 FRONT DOOR HARDWARE (\*HARDTOPS) (\*\*EXC. HARDTOPS)**  
**TYPICAL EXCEPT 1969-72 CONV. AND HOLIDAY COUPES**

Key	Description	Group
1	VENTILATOR ASSY, door less glass	10.650
2	WEATHERSTRIP, door vent	10.652
** 3	SUPPORT, door vent upper pivot	10.669
* 4	FRAME, door vent	10.656
5	CHANNEL & SCALPS, door vent division	10.688
** 6	SCREW, door vent to division channel upper	10.688
* 7	SCREW, door vent division channel to frame	10.688
8	RIVET, door vent division channel to support	10.68 6
9	WEATHERSTRIP ASSY, door vent division channel	10.652
**10	CHANNEL, door window glass run front	<b>10.701</b>
* 11	CHANNEL, door window glass run front lower	10.688
* 12	CHANNEL, door window glass run front upper	10.688
13	CHANNEL ASSY, door vent glass	10.655
14	SHAFT, door vent glass channel tee	10.657
15	RIVET, door vent pivot hinge	10.669
16	GLASS, door vent	10.658
17	STUD, door vent to inner panel	10.670
18	SCREW, door vent to inner panel	10.670
19	SUPPORT, division channel	N. S. S.
20	CAM ASSY, door inner panel	10.687
* 21	CAM, door window lower sash channel	10.687
* 22	CAM, door window guide bar	10.687
* 23	SCREW, door window guide rear to support	10.687
* 24	SCREW, door window guide rear to panel	10.687
* 25	CHANNEL ASSY, door window lower sash	10.685
* 26	ROLLER, door window lower sash channel	10.685
27	CONTROL ASSY, door lock remote	10.500
28	SCREW, door lock remote control to panel	10.500
29	HANDLE ASSY, door outside	10.527
31	BUTTON & SHAFT, door handle push	10.529
32	SPRING, door handle push button	10.529
33	RING, door handle push button sealing	10.529
34	WASHER, door handle push button stop	10.529
35	SCREW, door handle to door	10.527
36	HINGE ASSY, door upper (Incl. Items 37-38)	10.450
37	PIN, door upper hinge	10.466
38	BUSHING, door upper hinge	10.464
39	SCREW, door upper hinge to body & door	10.463
40	HINGE ASSY, door lower (Incl. Item 41)	10.454
41	SPRING, door lower hinge	10.455
42	SCREW, door lower hinge to body & door	10.463
43	LOCK ASSY, door	10.470
44	SCREW, door lock to inner panel	10.474
45	SPRING, door lock push button return	10.474
46	SPRING, door lock over center	10.474
47	CLIP, door lock spring	10.474
48	PLATE, door sill	11.175
49	REGULATOR ASSY, door ventilator	10.661
50	CLIP, door vent regulator tee shaft	10.661
51	SCREW, door vent regulator to tee shaft	10.670
52	HANDLE ASSY, door lock inside remote control	10.512
53	WASHER, door lock inside remote control handle	10.517

Key	Description	Group
54	SCREW, door lock inside remote control handle	10.500
55	REGULATOR ASSY, door window	10.783
56	SCREW, door window regulator to inner panel	10.783
57	MOTOR ASSY, door window regulator electric	10.783
58	STRIKER, door lock	10.569
59	SPACER (washer), door lock striker metal	10.571
60	SPACER (washer), door lock striker plastic	10.571
61	SWITCH & ESCUTCHEON, door window	10.777
62	BUMPER, door window stop	10.716
63	BUMPER, door lock pillar upper & lower	10.587
**64	CHANNEL, door window glass run	10.701
65	ROD, door inside locking to lock	10.563
66	CLIP, door inner locking to lock rod	10.565
67	ROD, door lock remote control to lock	10.506
68	CLIP, door lock remote control to lock rod	10.565
69	CLIP, door lock remote control to panel	10.565
70	KNOB, door inside locking rod	10.559
71	FERRULE, door inside lock rod knob	10.560
72	FILLER, door window lower sash channel (All styles Except 39)	10.685
73	CYLINDER ASSY, door lock	10.550
74	GASKET, door lock cylinder	10.550
75	RETAINER, door lock cylinder	10.551
76	GASKET, door outside handle front	10.537
77	GASKET, door outside handle rear	10.537
78	GLASS, door window	10.681
* 79	BOLT, door window glass to lower channel	10.685
* 80	NUT, door window glass to lower channel	10.685
* 81	BUSHING, door window glass to lower channel	10.685
* 82	PLATE, door window guide rear	10.728
83	PLATE, door wedge body side (Conv. Only)	10.584
84	PLATE, door wedge door side (Conv. Only)	10.584
85	PLUG, door trim pad sealing	14.691
86	RETAINER, door window switch	10.777
* 87	FILLER, door window lower sash channel front	N. S.
* 88	FILLER, door window lower sash channel rear	N. S.
* 89	STOP, door window upper rear	10.716
90	STRIP, door bottom drain hole sealing	10.694
91	SPACER, wedge plate (Emergency Use)	10.584
* 92	STRIP, door window anti rattle	10.710
93	STRIP ASSY, door window inner at belt	10.710
94	STRIP ASSY, door window outer at belt	10.710
* 95	STOP, door window front up	10.716
* 96	SUPPORT, door window guide cam lower	10.765
**97	SUPPORT, door window bumper	10.716
98	HANDLE ASSY, door vent regulator	10.664
99	SPRING, door vent regulator handle retaining	10.512
100	SPRING, door vent regulator handle	10.806
101	PLATE, door vent regulator handle bearing	10.515
102	WASHER, door vent regulator sealing	10.665
103	HANDLE ASSY, door window regulator	10.797
104	SPRING, door window regulator handle retaining	10.512
105	SPRING, door window regulator handle	10.806
106	PLATE, door window regulator handle bearing	10.515
**107	CHANNEL ASSY, door window lower sash	10.685

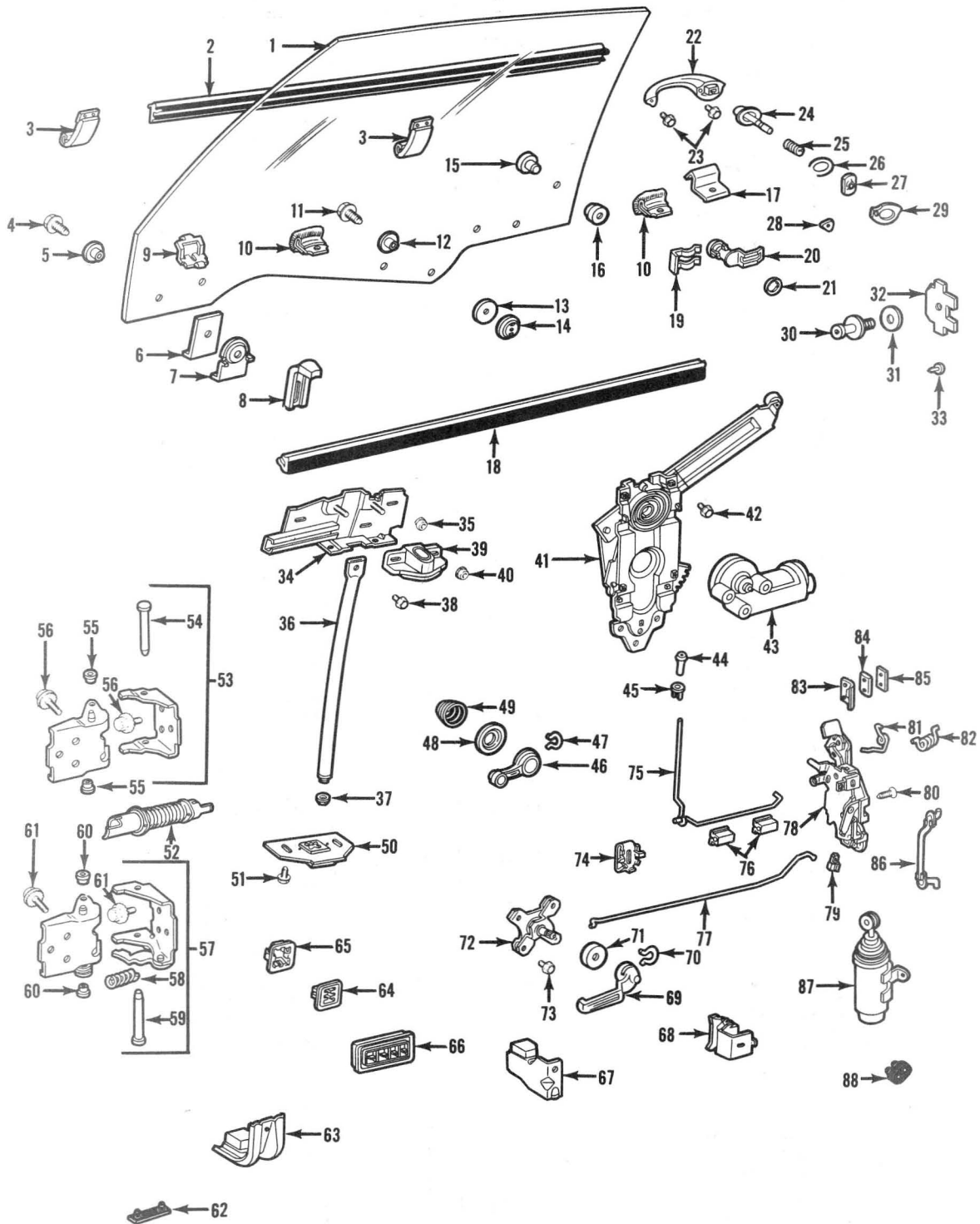


1969 /-67-87/ FRONT DOOR HARDWARE



**1969/-67-87/FRONT DOOR HARDWARE**

Key	Description	Group	Key	Description	Group
1	GLASS, window	10.681	50	STOP ASSY., window	10.716
2	SEALING STRIP ASSY., window outer at belt	10.710		upper rear	
3	PLATE ASSY., window guide front & rear	10.728	51	CAM ASSY., inner panel	<b>10.687</b>
4	FASTENER, window glass bearing	10.685	52	BUMPER, window guide front & rear cam	10.792
5	BOLT, glass to cam	10.792	53	REGULATOR ASSY., window	10.783
6	SPACER, glass to cam	<b>10.680</b>	54	SCREW, window reg. to inner panel	10.783
7	NUT, window glass idler cam front	10.792	55	MOTOR ASSY., window regulator electric	10.783
8	NUT, window glass idler cam rear	10.792	56	CAM ASSY., window guide front	10.792
9	WASHER, window glass idler cam front	10.792	57	SCREW, window guide front cam	10.792
10	WASHER, window glass idler cam	10.792	58	STOP ASSY., window upper front	10.716
11	RETAINER, belt trim support front	14.683	59	HINGE ASSY., upper	10.450
12	CAP, window glass bearing fastener	10.685	60	PIN, upper hinge	10.466
13	STRIP ASSY., anti-rattle front & rear	10.710	61	BUSHING, upper hinge	10.464
14	NUT, window guide rear roller	10.792	62	SCREW, upper hinge to body & door	10.463
15	WASHER, window guide rear roller	10.792	63	CONDUIT, vacuum hose	10.778
16	BUSHING, glass idler cam front	10.792	64	HINGE ASSY., lower	10.454
17	WASHER, glass idler cam front	10.792	65	PIN, lower hinge (comp. of item 64)	N.S.S.
18	CAM, window glass idler	10.792	66	SPRING, lower hinge	10.460
19	STUD, window glass idler cam	10.792	67	BUSHING, lower hinge (comp. of item 64)	N.S.S.
20	ROLLER ASSY., window guide front	10.792	68	SCREW, lwr. hq. to body & door	10.463
21	BOLT, glass idler cam	10.792	69	SEALING STRIP, bottom drain hole	10.694
22	BUSHING, glass idler cam	10.792	70	COVER, inr. pnl. electric switch protector	N.S.
23	WASHER, glass idler cam	10.792	71	SWITCH & ESCN. ASSY., window five button	10.777
24	WASHER, glass to cam	10.792	72	REINFORCEMENT, trim at window switch	10.777
25	NUT, glass to cam	10.792	73	RETAINER, window switch escutcheon	10.777
26	BUSHING, window guide rear roller	10.792	74	HANDLE ASSY., window regulator	10.797
27	WASHER, window guide rear roller	10.792	75	SPRING, window regulator handle retaining	<b>10.512</b>
28	ROLLER ASSY., window guide rear	10.792	76	PLATE, window regulator handle bearing	10.515
29	CAM, glass regulator	10.792	77	HANDLE ASSY., lock remote control	10.512
30	SEALING STRIP ASSY., wind. inner at belt	10.710	78	SPRING, lock rem. control handle retaining	<b>10.512</b>
31	RETAINER, belt trim support rear	14.683	79	WASHER, lock rem. control handle sealing	10.517
32	RETAINER, lock cylinder	10.551	80	CONTROL ASSY., lock remote	10.500
33	CYLINDER ASSY., lock	10.550	81	SCREW, lock remote cont. to inner panel	10.506
34	GASKET, lock cylinder to door	10.550	82	CLIP, lock remote control rod to panel	10.565
35	HANDLE, outside less push button	10.527	83	ROD, lock remote control to lock	10.506
36	SCREW, outside hdl. to panel	10.527	84	CLIP, inside locking rod to inner panel	10.565
37	BUTTON & SHAFT ASSY., handle push	10.529	85	ROD ASSY., inside locking to lock	10.563
38	SPRING, handle push button	10.529	86	FERRULE, inside locking rod knob	10.560
39	RING, handle push button sealing	10.529	87	KNOB, inside locking rod	10.559
40	WASHER, handle push button stop	10.529	88	PLATE, wedge door side (conv. only)	10.584
41	GASKET, outside handle to panel front	10.537	89	PLATE, wedge body side (conv. only)	10.584
42	GASKET, outside handle to panel rear	10.537	90	SPACER, wedge plate door side (emergency use)	10.584
43	STRIKER ASSY., lock	10.569	91	LOCK ASSY., front door	10.470
44	WASHER, lock striker	10.571	92	SCREW, lock to inner panel	10.474
45	PLATE, lock striker anchor	10.571	93	SPRING, lock push button return	10.474
46	FASTENER, weatherstrip to lock pillar	10.694	94	SPRING, lock over center	10.474
47	SUPPORT, window rear guide cam	10.687	95	CLIP, lock spring	10.474
48	CAM ASSY., window guide rear	10.792	96	ACTUATOR ASSY., vacuum lock	10.485
49	SCREW, window guide rear cam	10.792	97	BUMPER, lock pillar door side	10.587



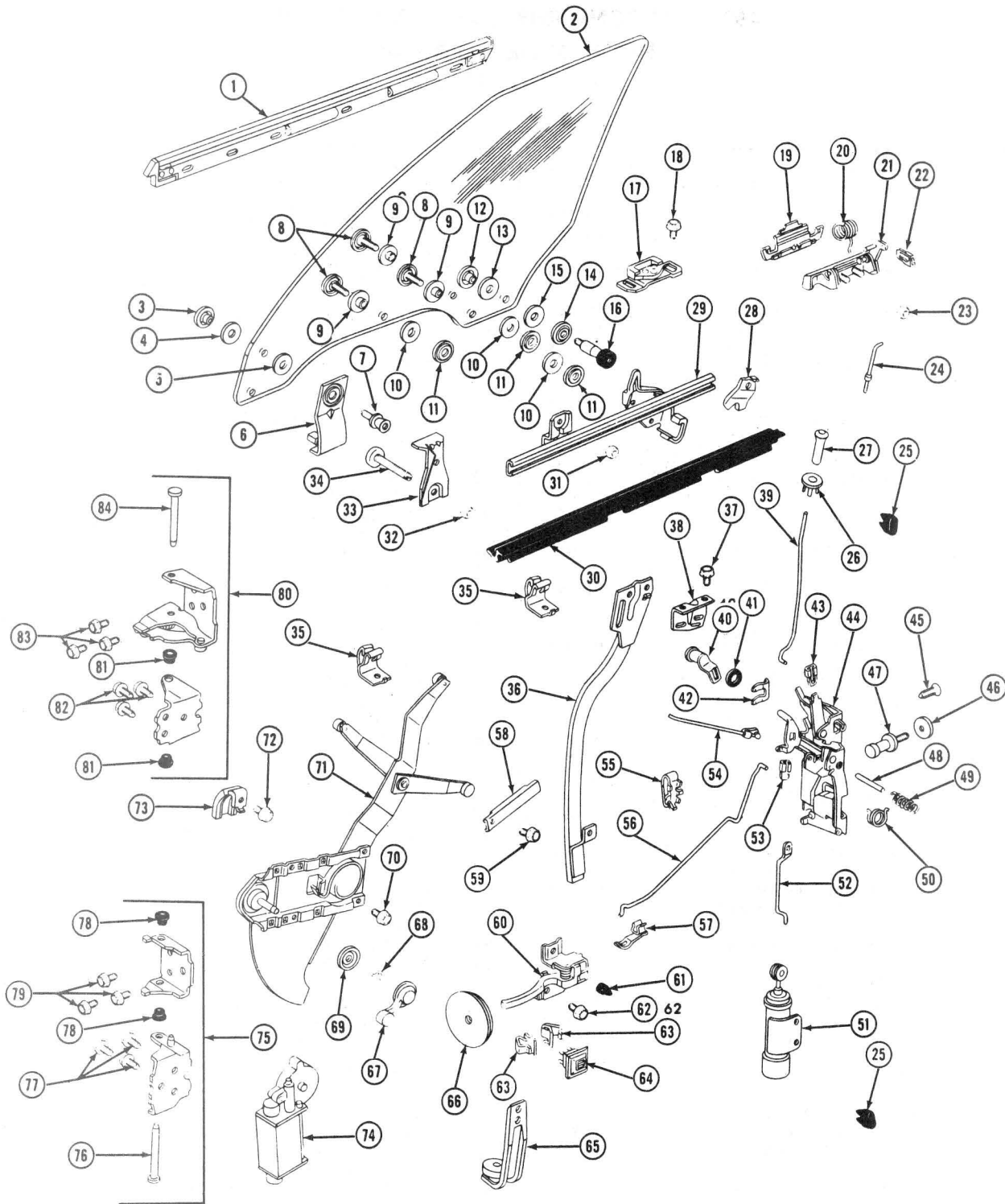
**1970 F85 CONVERTIBLE & HOLIDAY COUPE  
FRONT DOOR HARDWARE  
TYPICAL OF 1971-72**



**1970 F-85 CONVERTIBLE & HOLIDAY COUPE  
FRONT DOOR HARDWARE  
TYPICAL OF 1971-72**

Key	Description	Group
1	GLASS, window	10. 681
2	SEALING STRIP ASSY., window outer at belt	10. 710
3	PLATE ASSY., window guide front and rear	10. 728
4	BOLT, window up stop to glass	10. 685
5	SPACER, window up stop to glass	10. 685
6	FILLER, up stop retaining plate	10. 685
7	PLATE, window up stop retainer	10. 685
8	STOP, window up on glass	10. 716
9	RETAINER, belt trim support front	14. 683
10	STRIP ASSY., window anti-rattle front and rear	10. 710
11	BOLT, window plate assembly to glass	10. 685
12	SPACER, window plate assembly to glass	10. 685
13	WASHER, window plate assembly to glass	10. 685
14	NUT, window plate assembly to glass	10. 685
15	FASTENER, window glass bearing	10. 685
16	CAP, window glass bearing fastener	10. 685
17	RETAINER, belt trim support rear	14. 683
18	SEALING STRIP ASSY., window inner at belt	10. 710
19	RETAINER, lock cylinder	10. 551
20	LOCK SERVICE PKG.	10. 550
21	GASKET, lock cylinder to door	10. 529
22	HANDLE, outside less push button	10. 527
23	SCREW, outside handle to panel	10. 527
24	BUTTON AND SHAFT ASSY., handle push	10. 529
25	SPRING, handle push button	10. 529
26	RING, handle push button sealing	10. 529
27	WASHER, handle push button stop	10. 529
28	GASKET, outside handle to panel front	10. 537
29	GASKET, outside handle to panel rear	10. 537
30	STRIKER ASSY., lock	10. 569
31	WASHER, lock striker	10. 571
32	PLATE, lock striker anchor	10. 571
33	FASTENER, weatherstrip to lock pillar	10.694
34	PLATE ASSY., window lower sash guide	10. 728
35	NUT, lower sash guide plate	10. 685
36	TUBE ASSY., window guide	10. 728
37	NUT, window guide tube lower to panel	10. 728
38	SCREW, window guide tube upper to panel	10. 728
39	GUIDE ASSY., window lower sash upper	10. 685
40	NUT, window lower sash upper guide	10. 685
41	REGULATOR ASSY., window	10. 783
42	SCREW, window regulator to inner panel	10. 783

Key	Description	Group
43	MOTOR ASSY., window regulator electric	10. 783
44	KNOB, inside locking rod	10. 559
45	FERRULE ASSY., inside locking rod knob	10. 560
46	HANDLE ASSY., window regulator	10. 797
47	SPRING, window regulator handle retaining	10.512
48	PLATE, window regulator handle bearing	10. 515
49	SPRING, window regulator handle	10. 806
50	GUIDE ASSY., window lower sash lower	10. 685
51	SCREW, lower sash guide to plate	10. 685
52	CONDUIT, electric wiring	10. 778
53	HINGE ASSY., upper	10. 450
54	PIN, upper hinge	10. 466
55	BUSHING, upper hinge oil less type	10. 464
56	SCREW, upper hinge to body and door	10. 463
57	HINGE ASSY., lower	10. 454
58	SPRING, lower hinge	10. 460
59	PIN, lower hinge (Comp. of Item 57)	N. S. S.
60	BUSHING, lower hinge (Comp. of Item 57)	N. S. S.
61	SCREW, lower hinge to body and door	10. 463
62	SEALING STRIP, bottom drain hole	10. 694
63	SUPPORT ASSY., window bumper front	10. 716
64	RETAINER, window switch escutcheon	10. 777
65	REINFORCEMENT, trim at window switch	10. 777
66	SWITCH & ESCUTCHEON ASSY., window four button	10. 777
67	SUPPORT ASSY., window bumper rear	10. 716
68	CHANNEL ASSY., window anti-rattle	10. 701
69	HANDLE ASSY., lock remote control	10. 512
70	SPRING, lock remote control handle retaining	10.512
71	WASHER, lock remote control handle sealing	10. 517
72	CONTROL ASSY., lock remote	10. 500
73	SCREW, lock remote control to inner panel	10. 506
74	CLIP, lock remote control rod to panel	10. 565
75	ROD ASSY., inside locking to lock	10. 563
76	CLIP, inside locking rod to inner panel	10. 565
77	ROD, lock remote control to lock	10. 506
78	LOCK ASSY., front door	10. 470
79	CLIP, lock spring	10. 474
80	SCREW, lock to inner panel	10. 474
81	SPRING, lock push button return	10. 474
82	SPRING, lock over center	10. 474
83	PLATE, wedge door side (Conv. Only)	10. 584
84	PLATE, wedge body side (Conv. Only)	10. 584
85	SPACER, wedge plate door side (Emergency Use)	10. 584
86	ROD, electric actuator to lock	10. 485
87	ACTUATOR ASSY., electric lock	10. 485
88	BUMPER, lock pillar door side	10. 587

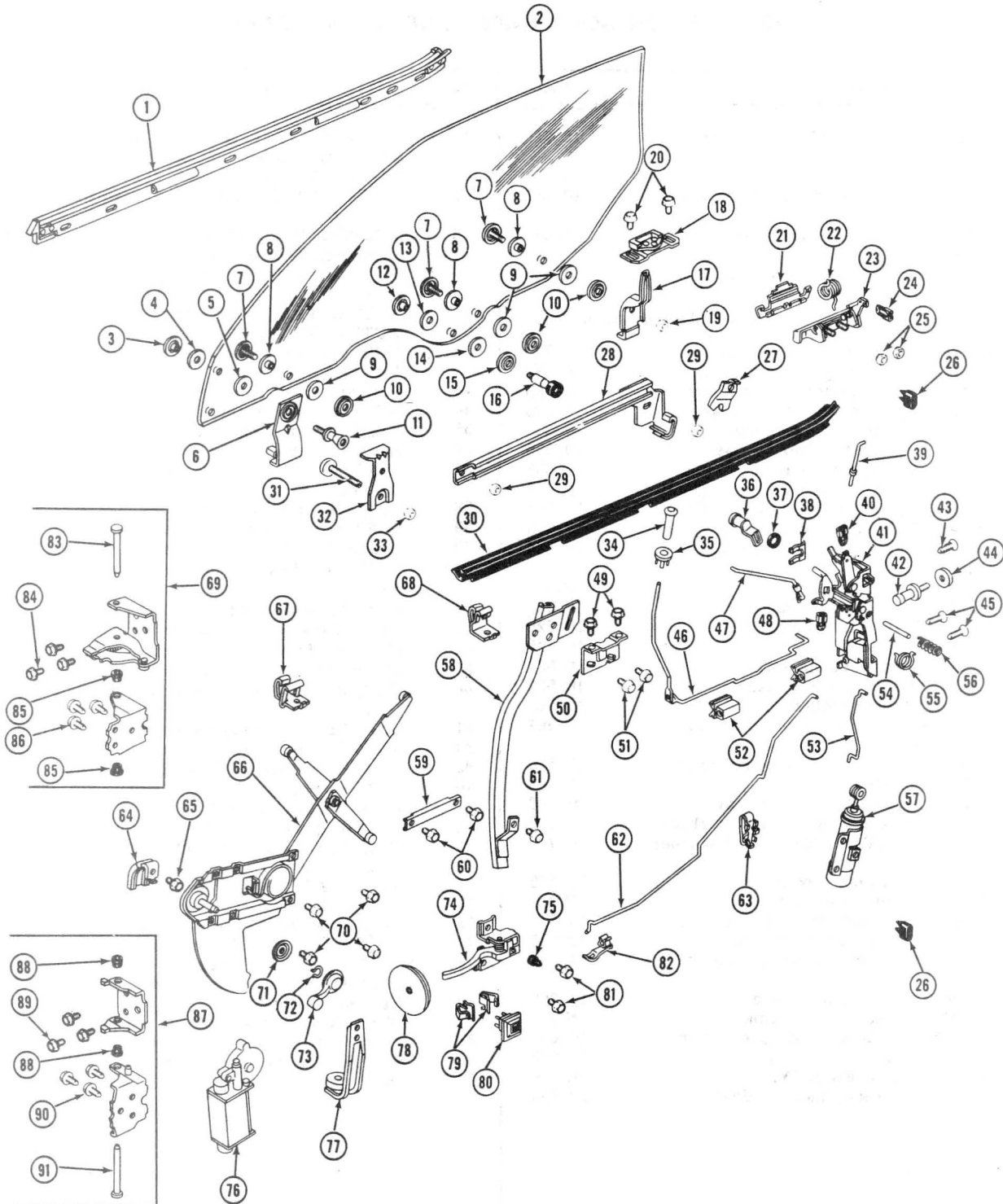


**1973-75 FRONT DOOR HARDWARE (AG29, AJ29-35)**

**1973-75 FRONT DOOR HARDWARE (AG29, AJ29-35)**

Key	Description	Group
1	SEALING STRIP ASSY., window outer at belt	10.710
2	GLASS, window	10.681
3	NUT, frt. dr. wind. stabilizer guide to glass	10.685
4	WASHER, window guide plate assy. to glass	10.685
5	BUSHING, frt. dr. wind. stabilizer guide to glass	10.685
6	NOT REQD. — Use Several 4491086 Washers on Stud	
7	STUD, wind. frt. on glass stop	10.728
8	SCREW, regulator cam to glass	10.687
9	BUSHING, regulator cam to glass	10.685
10	WASHER, regulator cam to glass	10.685
11	NUT, regulator cam to glass	10.685
12	NUT, rear guide roller to glass	10.685
13	WASHER, rear guide roller to glass	10.685
14	BUSHING, rear guide roller to glass	10.685
15	WASHER, rear guide roller to glass	10.685
16	ROLLER, frt. dr. wind. guide - rear	10.792
17	GUIDE, front door window stabilizer on panel	10.685
18	SCREW, guide to panel	N. L.
19	ESCUTCHEON, door handle	10.537
20	SPRING, door outside handle	10.529
21	HANDLE, outside	10.527
22	CLIP, outside handle spring	10.529
23	NUT, outside handle to panel	10.527
24	ROD, outside handle to lock	10.563
25	BUMPER, frt. dr. lock pillar upr. & lower on door	10.587
26	FERRULE, inside locking rod knob	10.560
27	KNOB, inside locking rod	10.559
28	STOP, frt. wind. - upper rear	10.716
29	CAM, frt. dr. wind. regulator glass	10.792
30	SEALING STRIP ASSY., window inner at belt	10.710
31	NUT, cam to inner panel	10.792
32	NUT, frt. dr. wind. stud to stop	N. L.
33	STOP, frt. wind. upper frt. on reinf.	10.716
34	STUD, frt. dr. glass stabilizer	10.728
35	RETAINER, frt dr. belt trim supt. - frt. & rr.	14.683
36	CAM, frt. dr. wind. guide	10.792
37	SCREW, supt. to inner panel	N. L.
38	SUPPORT, guide inner panel upper	10.687
39	ROD, frt. dr.	10.563
40	LOCK CYLINDER ASSY.	N.S.S.
41	GASKET, lock cylinder to door	10.550

Key	Description	Group
42	RETAINER, lock cylinder to door	10.551
43	CLIP, door lock & spring	10.474
44	LOCK ASSY., front door	10.470
45	SCREW, frt. & rr. lock to inner panel & facing	10.474
46	WASHER, lock striker to panel	10.571
47	STRIKER, frt. or rear	10.569
48	PIN, push-button return spring	10.474
49	SPRING, push-button return	10.474
50	SPRING, lock over center	10.474
51	ACTUATOR, frt. door elect. lock	10.485
52	ROD, frt. door elect. actuator to lock	10.485
53	SPRING, door lock spring	10.474
54	ROD, frt. dr. remote control to lock	10.506
55	CLIP, frt. dr. lock rod to panel	10.565
56	ROD, frt. dr.	10.506
57	CLIP, frt. door remote control to lock rod	10.565
58	CAM, frt. door panel inner	10.687
59	SCREW, cam to inner panel	N. L.
60	HANDLE, frt. dr. lock remote control	10.512
61	BUMPER, door lock remote control handle	10.512
62	SCREW, handle to panel	N. L.
63	CLIP, elect. lock switch on trim pad	10.485
64	SWITCH, frt. dr. lock (on trim pad)	10.485
65	SUPPORT, frt. dr. wind. bumper	10.716
66	PAD, dr. lock remote control handle - front & rear	10.515
67	HANDLE, winow regulator	10.797
68	SPRING, window reg. handle retaining	10.512
69	PLATE, window reg. handle bearing	10.665
70	SCREW, regulator to inner panel	10.792
71	REGULATOR, manual	10.783
72	SCREW, plate to reinforcement	N. L.
73	PLATE, frt. dr. wind. glass stabilizer on inner panel	10.728
74	MOTOR ASSY., frt. window elect.	10.783
75	HINGE, lower	10.450
76	PIN, lower door hinge	10.466
77	SCREW, frt. door hinge to body	10.463
78	BUSHING, oil less type	10.464
79	SCREW, frt. door hinge to door	10.463
80	HINGE, upper	10.450
81	BUSHING, oil less type	10.464
82	SCREW, frt. door hinge to door	10.463
83	SCREW, frt. dr. hinge to body	10.463
84	PIN, upper door hinge	10.466

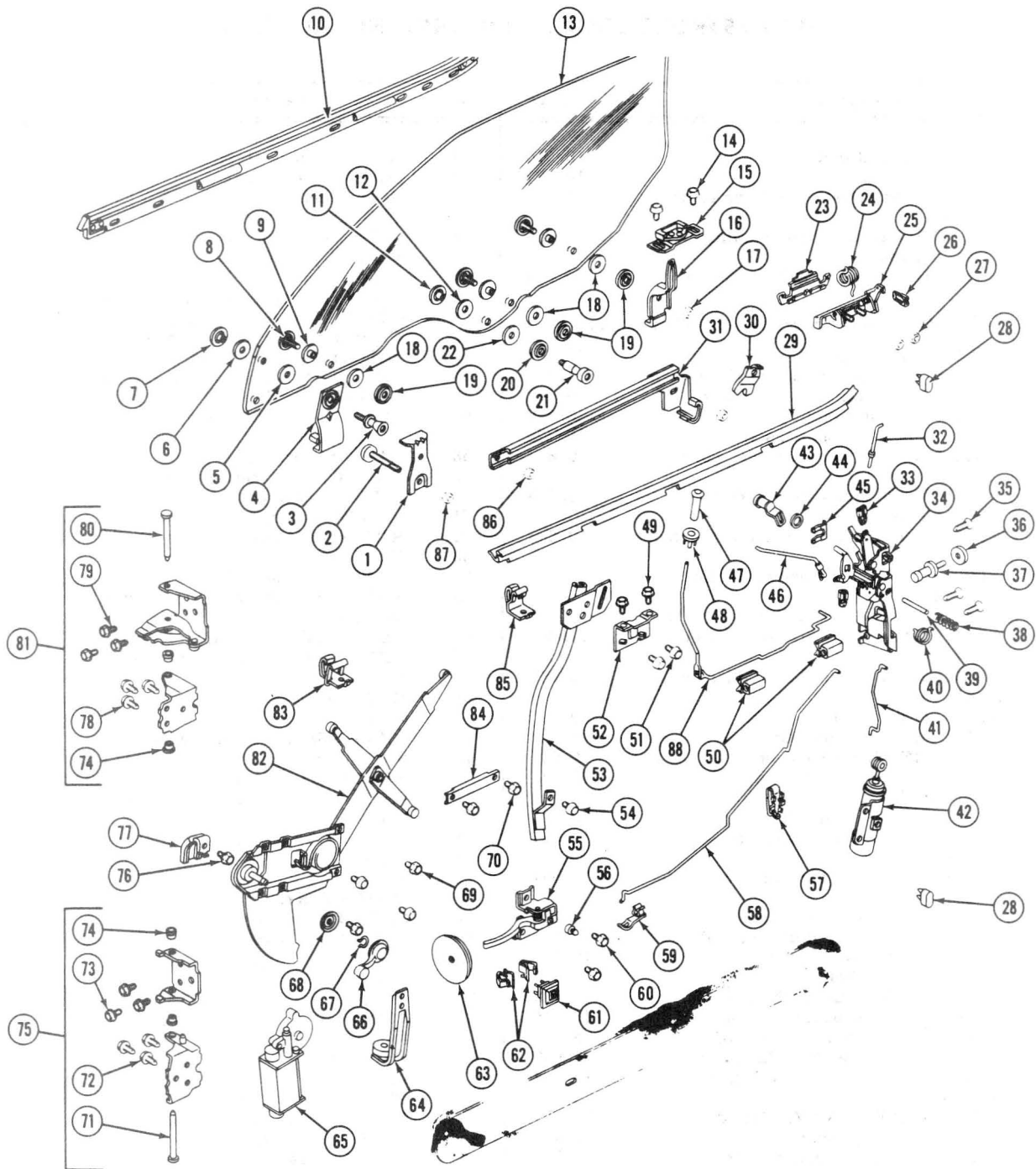


**1973-75 FRONT DOOR HARDWARE (AF37, AG37, AJ57)**



### 1973-75 FRONT DOOR HARDWARE (AF37, AG37, AJ57)

Key	Description	Group	Key	Description	Group
1	STRIP, outer at belt	10.710	44	WASHER, lock striker to panel	10.571
2	GLASS, window	10.681	45	SCREW, lock to panel	10.474
3	NUT, frt. dr. wind. stabilizer guide to glass	10.685	46	ROD, front door to lock	10.563
4	WASHER, frt. dr. wind. stabilizer plate to glass	10.685	47	ROD, front door to door lock	10.506
5	BUSHING, frt. dr. wind. stabilizer plate to glass	10.685	48	CLIP, door lock spring	10.474
6	NOT REQD. — Use Several 4491086 Washers on Stud		49	SCREW, frt. dr. wind. upper supt. to panel	N. L.
7	SCREW, cam to glass	10.687	50	SUPPORT, guide inner panel upper	10.687
8	BUSHING, regulator cam to glass	10.685	51	SCREW, cam assy. to upper supt.	N. L.
9	WASHER, regulator cam to glass	10.685	52	CLIP, frt. dr. lock rod to panel	10.565
10	NUT, regulator cam to glass	10.685	53	ROD, frt. dr. elect. actuator - to lock	10.485
11	STUD, wind. frt. on glass stop	10.728	54	PIN, frt. dr. lock push-button return	10.474
12	NUT, frt. dr. wind. guide rr. roller to glass	10.685	55	SPRING, frt. dr. lock over center	10.474
13	WASHER, frt. dr. wind. guide rr. roller to glass	10.685	56	SPRING, frt. dr. lock push-button return	10.474
14	WASHER, frt. dr. rr. guide roller to glass	10.685	57	ACTUATOR, frt. dr. elect. lock	10.485
15	BUSHING, frt. dr. guide rr. roller to glass	10.685	58	CAM, frt. dr. wind. guide	10.792
16	ROLLER, frt. dr. wind. guide - rear	10.792	59	CAM, frt. dr. inner panel	10.687
17	GUIDE, frt. dr. wind. stabilizer on glass	10.685	60	SCREW, inner panel cam to panel	N. L.
18	GUIDE, frt. dr. wind. stabilizer on panel	10.685	61	SCREW, cam inner panel	N. L.
19	NUT, frt. dr. guide to glass	10.685	62	ROD, remote cont. frt. dr. lock to lock	10.506
20	SCREW, frt. dr. guide to panel	N. L.	63	CLIP, frt. dr. remote cont. rod to panel	10.565
21	ESCUTCHEON, door handle	10.537	64	PLATE, frt. dr. wind. stabilizer on reinf.	10.728
22	SPRING, dr. outside handle	10.529	65	SCREW, frt. dr. wind. stabilizer plate to reinf.	N. L.
23	HANDLE, frt. dr.	10.527	66	REGULATOR, manual	10.783
24	CLIP, dr. outside handle spring	10.529	67	RETAINER, frt. dr. belt trim supt. - front	14.683
25	NUT, frt. dr. outside escn. & handle to panel	10.527	68	RETAINER, frt. dr. belt trim supt. - rear	14.683
26	BUMPER, frt. dr. lock pillar upr. & lwr. on door	10.587	69	HINGE ASSY., frt. dr. upper	10.450
27	STOP, frt. wind. - upper rear	10.716	70	SCREW, regulator to panel	10.792
28	CAM, frt. dr. regulator - manual	10.792	71	PLATE, frt. dr. wind. reg. handle brg.	10.665
29	NUT, frt. dr. cam to glass	10.685	72	SPRING, frt. dr. regulator handle	10.806
30	STRIP, inner at belt	10.710	73	HANDLE, frt. door	10.797
31	STUD, frt. dr. glass stabilizer	10.728	74	HANDLE, frt. door lock remote control	10.512
32	STOP, frt. wind. upper frt. on reinf.	10.716	75	BUMPER, dr. lock remote control handle	10.512
33	NUT, frt. dr. wind. stud to stop	N. L.	76	MOTOR ASSY., frt. (w/pinion & gear)	10.783
34	KNOB, frt. dr. inside locking rod	10.559	77	SUPPORT, frt. dr. wind. bumper	10.716
35	FERRULE, frt. dr. inside locking rod knob	10.560	78	PAD, dr. lock remote control handle	10.515
36	LOCK CYLINDER ASSY., frt. dr.	10.550	79	CLIP, frt. dr. selector switch - on trim pad	10.485
37	GASKET, lock cylinder	10.550	80	SWITCH, frt. dr. lock - on trim pad	10.485
38	RETAINER, lock cylinder to dr.	10.551	81	SCREW, frt. dr. lock remote control to handle	N. L.
39	ROD, frt. dr. to lock	10.563	82	CLIP, frt. dr. lock remote control to lock	10.565
40	CLIP, dr. lock spring	10.474	83	PIN, frt. door - upper	10.466
41	LOCK ASSY., front door	10.470	84	SCREW, upper hinge to body	10.463
42	STRIKER, front door lock	10.569	85	BUSHING, frt. dr. hinge - oil less type	10.464
43	SCREW, lock to panel	10.474	86	SCREW, upper hinge to door	10.463
			87	HINGE, frt. door - lower	10.450
			88	BUSHING, frt. dr. hinge - oil less type	10.464
			89	SCREW, lower hinge to door	10.463
			90	SCREW, lower hinge to body	10.463
			91	PIN, frt. door - lower	10.466

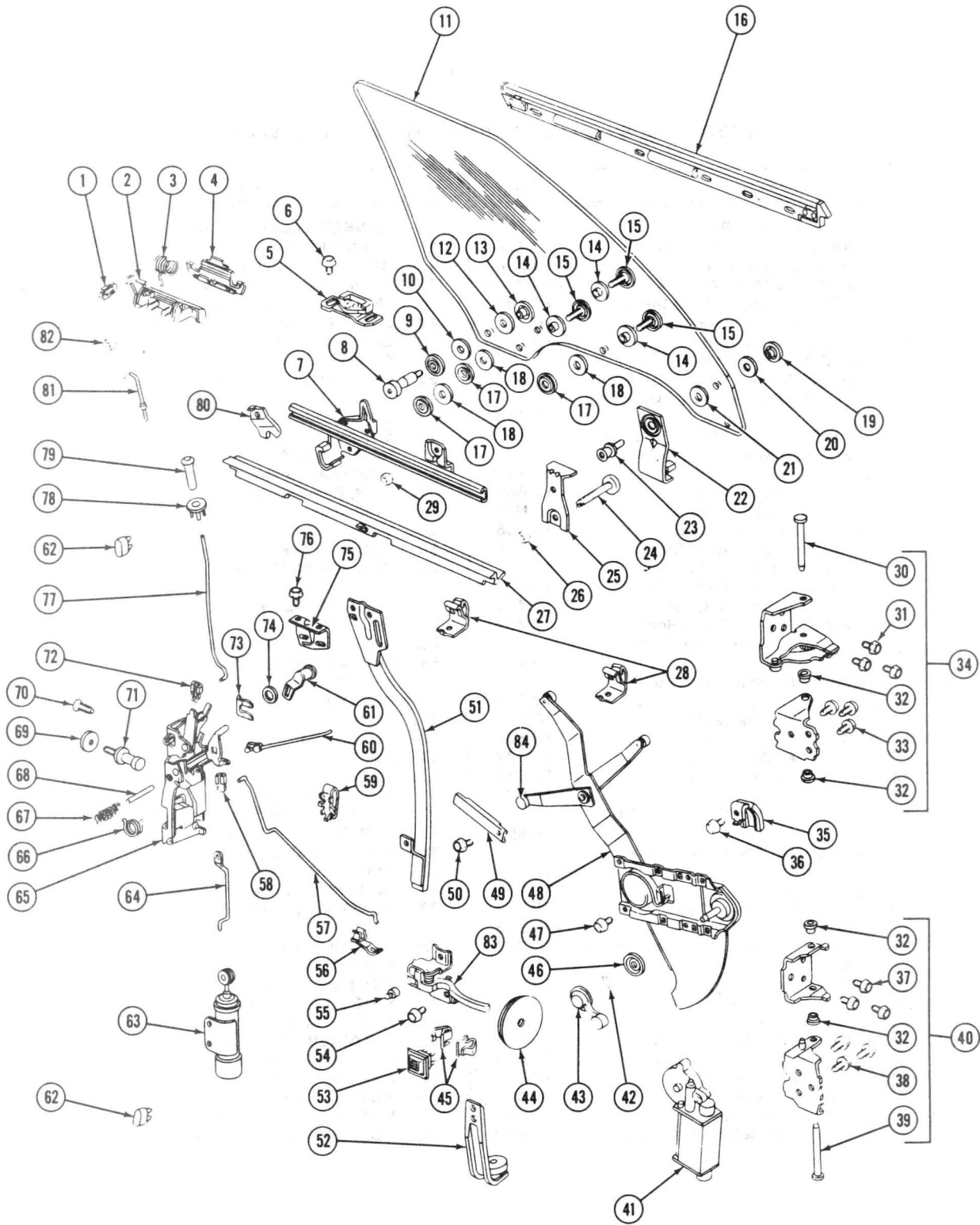


**1976 37 & 57 STYLES FRONT DOOR HARDWARE**



### 1976 37 & 57 STYLES FRONT DOOR HARDWARE

Key	Description	Group	Key	Description	Group
1.	STOP, Wdo. Front-on Reinf. . . . .	10.716	44.	GASKET, Lock Cyl. to Door . . . . .	10.529
2.	STUD ASM., Wdo. Glass Stabilizer . . . . .	10.728	45.	RETAINER, Lock Cyl. . . . .	10.551
3.	STUD, Wdo. Stop-on Glass . . . . .	10.768	46.	ROD ASM., Lock Cyl. to Door Lock . . . . .	10.506
4.	<b>NOT REQD.</b> — Use Several 4491086 Washers on Stud		47.	KNOB, Door Inside Locking Rod . . . . .	10.559
5.	BUSHING, Stabilizer Plate to Glass . . . . .	10.792	48.	FERRULE, Inside Locking Rod Knob . . . . .	10.560
6.	WASHER, Stabilizer Plate to Glass . . . . .	10.792	49.	SCREW, Wdo. Upr. Supt. to Panel . . . . .	N.S.
7.	NUT, Stabilizer Plate to Glass . . . . .	10.792	50.	CLIP, Inside Locking Rod to Inner Panel . . . . .	10.565
8.	SCREW, Wdo. Glass Cam to Glass . . . . .	10.792	51.	SCREW, Cam to Upper Supt. . . . .	N.S.
9.	BUSHING, Wdo. Reg. Cam to Glass . . . . .	10.792	52.	SUPPORT, Guide to Inner Panel Wdo. Bumper . . . . .	10.687
10.	SEALING STRIP ASM., Wdo. Outer-at Belt . . . . .	10.710	53.	CAM ASM., Wdo. Guide . . . . .	10.792
11.	NUT, Wdo. Guide Rear Roller to Glass . . . . .	10.792	54.	SCREW, Cam Inner Panel . . . . .	N.S.
12.	WASHER, Wdo. Guide Rear Roller to Glass . . . . .	10.792	55.	HANDLE ASM., Lock Remote Cont. . . . .	10.512
13.	GLASS, Front Door Window . . . . .	10.681	56.	BUMPER, Handle & Remote Cont. Lock . . . . .	10.512
14.	SCREW, Wdo. Guide to Panel . . . . .	N.S.	57.	CLIP, Remote Cont. Rod to Panel . . . . .	10.565
15.	GUIDE ASM., Stabilizer-on Panel . . . . .	10.685	58.	ROD, Remote Cont. Lock to Lock . . . . .	10.506
16.	GUIDE ASM., Stabilizer-on Glass . . . . .	10.685	59.	CLIP, Lock Remote Cont. to Lock . . . . .	10.565
17.	NUT, Door Guide to Glass . . . . .	10.792	60.	SCREW, Lock Remote Cont. to Panel . . . . .	N.S.
18.	WASHER, Wdo. Reg. Cam to Glass . . . . .	10.792	61.	SWITCH ASM., Electric Lock Cont-on Trim Pad . . . . .	10.485
19.	NUT, Wdo. Reg. Cam to Glass . . . . .	10.792	62.	RETAINER, Lock Switch-on Trim Pad (exc. 57) . . . . .	10.777
20.	ROLLER ASM., Wdo. Guide-Rear . . . . .	10.792	63.	PAD, Lock Remote Cont. Handle . . . . .	10.515
21.	BUSHING, Wdo. Rear Guide Roller to Glass . . . . .	10.792	64.	SUPPORT ASM., Wdo. Bumper . . . . .	10.716
22.	WASHER, Wdo. Rear Guide Roller to Glass . . . . .	10.792	65.	MOTOR ASM., Door Window-Electric . . . . .	10.783
23.	ESCUTCHEON, Outside Handle . . . . .	10.537	66.	HANDLE ASM., Window Regulator . . . . .	10.797
24.	SPRING, Outside Handle . . . . .	10.529	67.	SPRING, Wdo. Reg. Handle . . . . .	10.797
25.	HANDLE ASM., Door Outside . . . . .	10.527	68.	PLATE, Wdo. Reg. Handle Bearing . . . . .	10.515
26.	CLIP, Handle Spring . . . . .	10.529	69.	SCREW, Regulator to Panel . . . . .	10.783
27.	NUT, Handle to Panel . . . . .	10.527	70.	SCREW, Inner Panel Cam to Panel . . . . .	N.S.
28.	BUMPER, Lock Pillar Upr. & Lwr.-Door Side . . . . .	10.587	71.	PIN, Door Hinge . . . . .	10.466
29.	SEALING STRIP ASM., Wdo.-Inner-at Belt . . . . .	10.710	72.	SCREW, Lower Hinge to Body . . . . .	10.463
30.	STOP, Wdo. Upper Rear . . . . .	10.716	73.	SCREW, Lower Hinge to Door . . . . .	10.463
31.	CAM ASM., Wdo. Reg. Glass . . . . .	10.792	74.	BUSHING, Door Hinge . . . . .	10.464
32.	ROD, Outside Handle to Lock . . . . .	10.563	75.	HINGE ASM., Front Door-Lower . . . . .	10.450
33.	CLIP, Spring Remote Lever Lock Asm. . . . .	10.474	76.	SCREW, Stabilizer Plate to Reinf. . . . .	N.S.
34.	LOCK ASM., Front Door . . . . .	10.470	77.	PLATE ASM., Wdo. Glass Stabilizer-on Reinf. . . . .	10.728
35.	SCREW, Lock to Panel . . . . .	10.474	78.	SCREW, Upper Hinge to Door . . . . .	10.463
36.	WASHER, Lock Striker to Panel . . . . .	10.571	79.	SCREW, Upper Hinge to Body . . . . .	10.463
37.	STRIKER, Door Lock . . . . .	10.569	80.	PIN, Door Hinge . . . . .	10.466
38.	SPRING, Push Button Ret. Lock . . . . .	10.474	81.	HINGE ASM., Door-Upper . . . . .	10.450
39.	PIN, Push Button Ret. Spring Lock . . . . .	10.474	82.	REGULATOR ASM., Window-Manual . . . . .	10.783
40.	SPRING, Lock Over Center . . . . .	10.474	83.	RETAINER ASM., Belt Trim-Frt. . . . .	14.683
41.	ROD, Electric Actuator to Lock . . . . .	10.485	84.	CAM ASM., Door Inner Panel . . . . .	10.687
42.	ACTUATOR ASM., Electric Lock . . . . .	10.485	85.	RETAINER ASM., Belt Trim Supt.-Rr. . . . .	14.683
43.	LOCK CYLINDER ASM., Front Door . . . . .	10.550	86.	NUT, Wdo. Cam to Glass . . . . .	10.792
			87.	NUT, Wdo. Stud to Stop . . . . .	N.S.
			88.	ROD, Inside Locking to Lock . . . . .	10.506



**1976 29 & 35 FRONT DOOR HARDWARE (4 DOOR STYLES)**

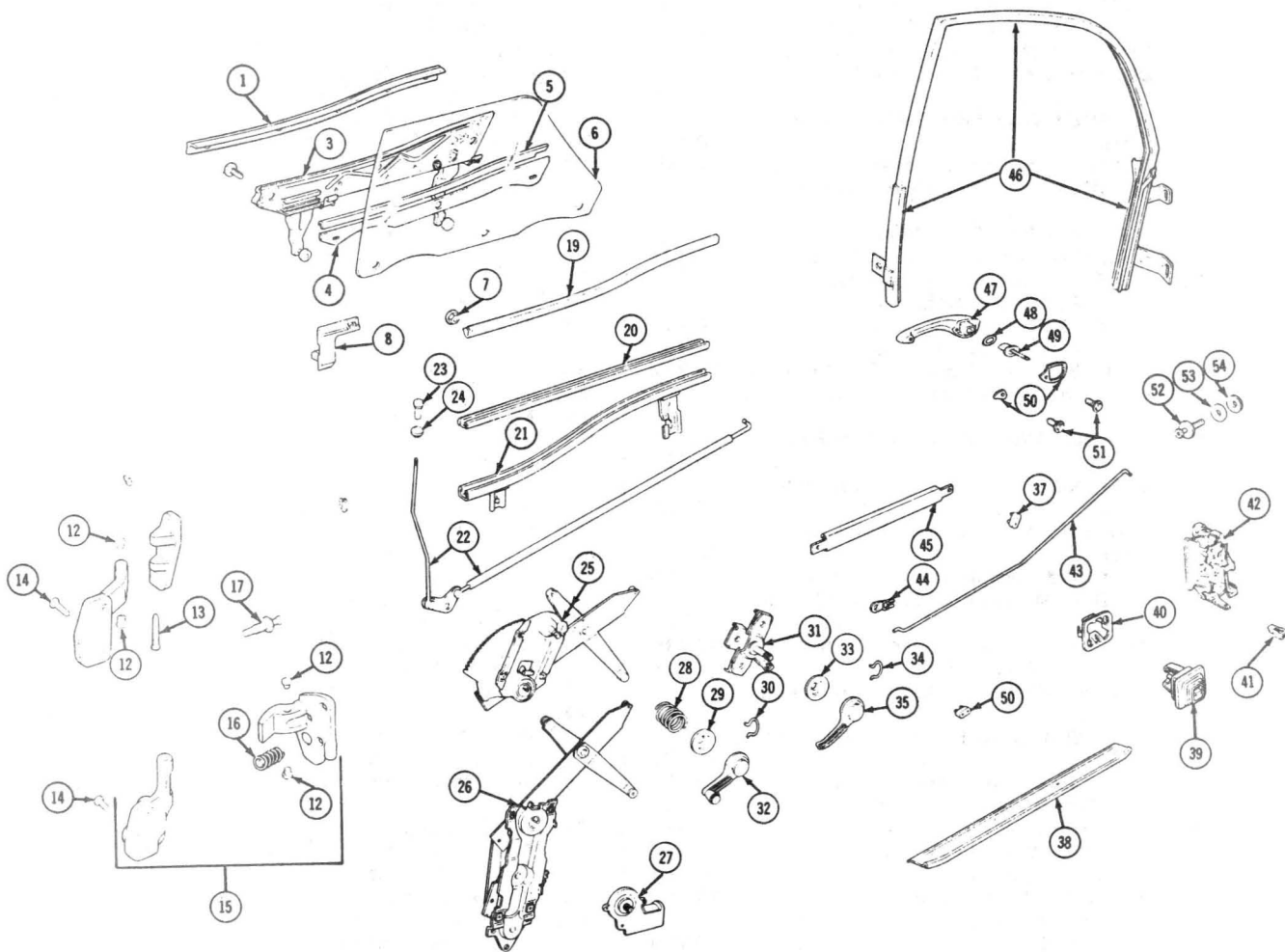




1976 29 & 35 FRONT DOOR HARDWARE (4 DOOR STYLES)

Key	Description	Group
1.	CLIP, Outside Handle Spring	10.529
2.	HANDLE ASM., Door Outside	10.527
3.	SPRING, Outside Handle	10.529
4.	ESCUTCHEON, Outside Handle	10.537
5.	GUIDE ASM., Wdo. Stabilizer-on Panel	10.685
6.	SCREW, Wdo. Guide to Panel	N.S.
7.	CAM ASM., Wdo. Regulator Glass	10.792
8.	ROLLER ASM., Wdo. Guide-Rear	10.792
9.	BUSHING, Wdo. Rear Guide Roller to Glass	10.792
10.	WASHER, Wdo. Rear Guide Roller to Glass	10.792
11.	GLASS, Front Door Window	10.681
12.	WASHER, Wdo. Rear Guide Roller to Glass	10.685
13.	NUT, Wdo. Rear Guide Roller to Glass	10.792
14.	BUSHING, Regulator Cam to Glass	10.792
15.	SCREW, Regulator Cam to Glass	10.792
16.	SEALING STRIP ASM., Door Wdo. Outer-at Belt	10.710
17.	NUT, Regulator Cam to Glass	10.792
18.	WASHER, Wdo. Regulator Cam to Glass	10.792
19.	NUT, Wdo. Glass Stabilizer Plate to Glass	10.792
20.	WASHER, Wdo. Glass Stabilizer Plate to Glass	10.685
21.	BUSHING, Wdo. Glass Stabilizer Plate to Glass	10.792
22.	PLATE ASM., Wdo. Glass Stabilizer-on Glass	10.728
23.	STUD, Wdo.-on Glass (Used as Stop)	10.768
24.	STUD ASM., Wdo. Glass Stabilizer (Not Req'd.)	N.S.
25.	STOP, Wdo. Upper Front-on Reinf.	10.716
26.	NUT, Wdo. Stud to Stop	N.S.
27.	SEALING STRIP ASM., Wdo.-Inner-at Belt	10.710
28.	RETAINER ASM., Belt Trim Supt.-Front & Rear	14.683
29.	NUT, Cam to Inner Panel	10.792
30.	PIN, Door Hinge	10.466
31.	SCREW, Upper Hinge to Body	10.463
32.	BUSHING, Door Hinge	10.464
33.	SCREW, Upper Hinge to Door	10.463
34.	HINGE ASM., Door-Upper	10.450
35.	PLATE ASM., Wdo. Glass Stabilizer-on Inner Panel	10.728
36.	SCREW, Stabilizer Plate to Reinf.	N.S.
37.	SCREW, Lower Hinge to Door	10.463
38.	SCREW, Lower Hinge to Body	10.463

Key	Description	Group
39.	PIN, Door Hinge	10.466
40.	HINGE ASM., Door-Lower	10.450
41.	MOTOR ASM., Window-Electric	10.783
42.	SPRING, Wdo. Regulator Handle	10.797
43.	HANDLE ASM., Wdo. Regulator	10.797
44.	PAD, Lock Remote Cont. Handle	10.515
45.	RETAINER, Switch Electric Lock-on Trim Pad	10.777
46.	PLATE, Wdo. Reg. Handle Bearing	10.515
47.	SCREW, Reg. Asm. to Inner Panel	10.783
48.	REGULATOR ASM., Window Manual	10.783
49.	CAM ASM., Door Inner Panel	10.687
50.	SCREW, Cam to Inner Panel	N.S.
51.	CAM ASM., Wdo. Guide	10.792
52.	SUPPORT ASM., Wdo. Bumper	10.716
53.	SWITCH ASM., Electric Lock Cont-on Trim Pad	10.485
54.	SCREW, Handle to Panel	N.S.
55.	BUMPER, Lock Handle & Remote Cont.	10.512
56.	CLIP, Lock Remote Cont. Rod to Lock	10.565
57.	ROD, Lock Remote Cont. to Lock	10.506
58.	CLIP, Locking Lever Lock Asm. Spring	10.474
59.	CLIP, Remote Cont. Rod to Panel	10.565
60.	ROD ASM., Lock Cyl. to Door Lock	10.506
61.	LOCK CYLINDER KIT, Door	10.550
62.	BUMPER, Lock Pillar Up. & Lwr.-Door Side	10.587
63.	ACTUATOR ASM., Electric Lock	10.485
64.	ROD, Actuator to Lock	10.485
65.	LOCK ASM., Front Door	10.470
66.	SPRING, Lock Over Center	10.474
67.	SPRING, Button Ret. Lock	10.474
68.	PIN, Button Ret. Spring Lock	10.474
69.	WASHER, Lock Striker to Panel	N.S.
70.	SCREW, Lock to Panel	10.474
71.	STRIKER ASM., Door Lock	10.569
72.	CLIP, Remote Lever Lock Spring	10.474
73.	RETAINER, Door Lock Cyl.	10.551
74.	GASKET, Lock Cyl. to Door	10.529
75.	SUPPORT, Guide to Inner Panel Wdo. Up	10.687
76.	SCREW, Supt. to Inner Panel	N.S.
77.	ROD, Inside Locking to Lock	10.506
78.	FERRULE, Inside Locking Rod Knob	10.560
79.	KNOB, Inside Locking Rod	10.559
80.	STOP, Wdo.-Upper Rear	10.716
81.	ROD, Outside Handle to Lock	10.563
82.	NUT, Outside Handle to Panel	10.527
83.	HANDLE ASM., Lock Remote Cont.	10.512
84.	ROLLER, Reg. Lwr. Balance Arm	10.783

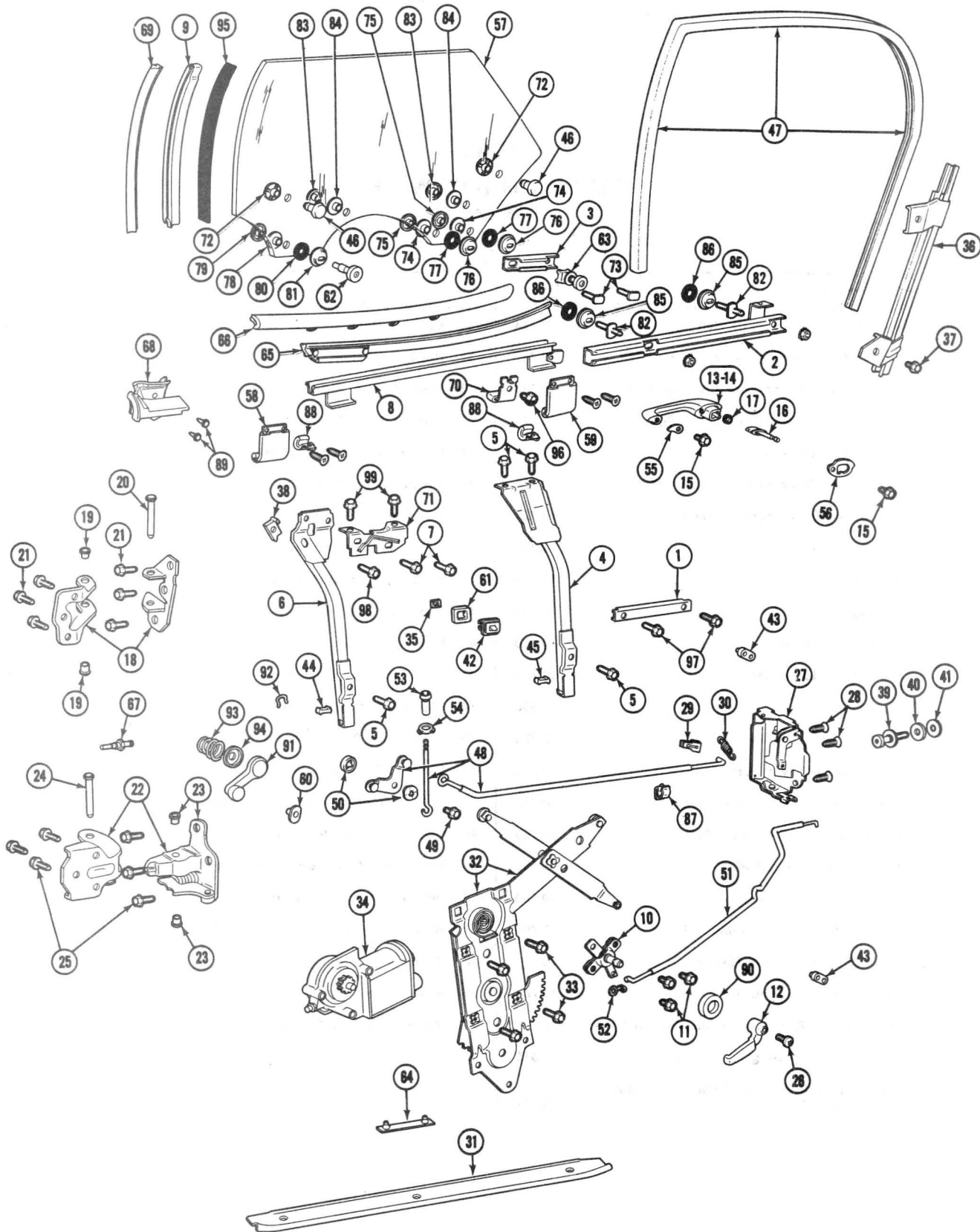


**1964-67**  
**REAR DOOR HARDWARE**  
**(TYPICAL)**

**1964-67**  
**REAR DOOR HARDWARE**  
**(TYPICAL)**

Key	Description	Group
1	Strip, Rear Door Window Glass Run Outer .....	10.774
3	Channel, Rear Door Window Lower Sash .....	10.747
4	Filler, Door Window Lower Sash Channel—Inner .....	10.685
5	Filler, Door Window Lower Sash Channel—Outer .....	10.685
6	Glass, Rear Door Window .....	10.741
7	Nut, Door Window Glass to Lower Channel .....	10.685
8	Plate, Door Lower Sash Channel Guide .....	10.728
12	Bushing, Door Hinge .....	10.464
13	Pin, Door Hinge .....	10.466
14	Bolt, Door Hinge .....	10.463
15	Hinge, Rear Door Lower .....	10.460
16	Spring, Rear Door Lower Hinge .....	10.460
17	Switch, Door Jamb .....	11.950
19	Strip, Rear Door Window Glass Run Inner .....	10.774
20	Filler, Door Window Lower Sash Channel .....	10.685
21	Channel, Rear Door Window Lower Sash .....	10.747
22	Rod, Door Inside Locking to Lock—Rear .....	10.563
23	Knob, Door Inside Locking Rod .....	10.559
24	Ferrule, Door Locking Rod Knob .....	10.560
25	Regulator, Rear Door Window—Manual .....	10.791
26	Regulator, Rear Door Window Electric .....	10.791
27	Motor, Power Window Electric .....	10.783
28	Spring, Door Window Regulator Handle Bearing Plate .....	10.806
29	<b>Plate, Control Handle Bearing .....</b>	<b>10.515</b>
30	Spring, Package, Door Window Regulator Handle Retaining .....	10.797

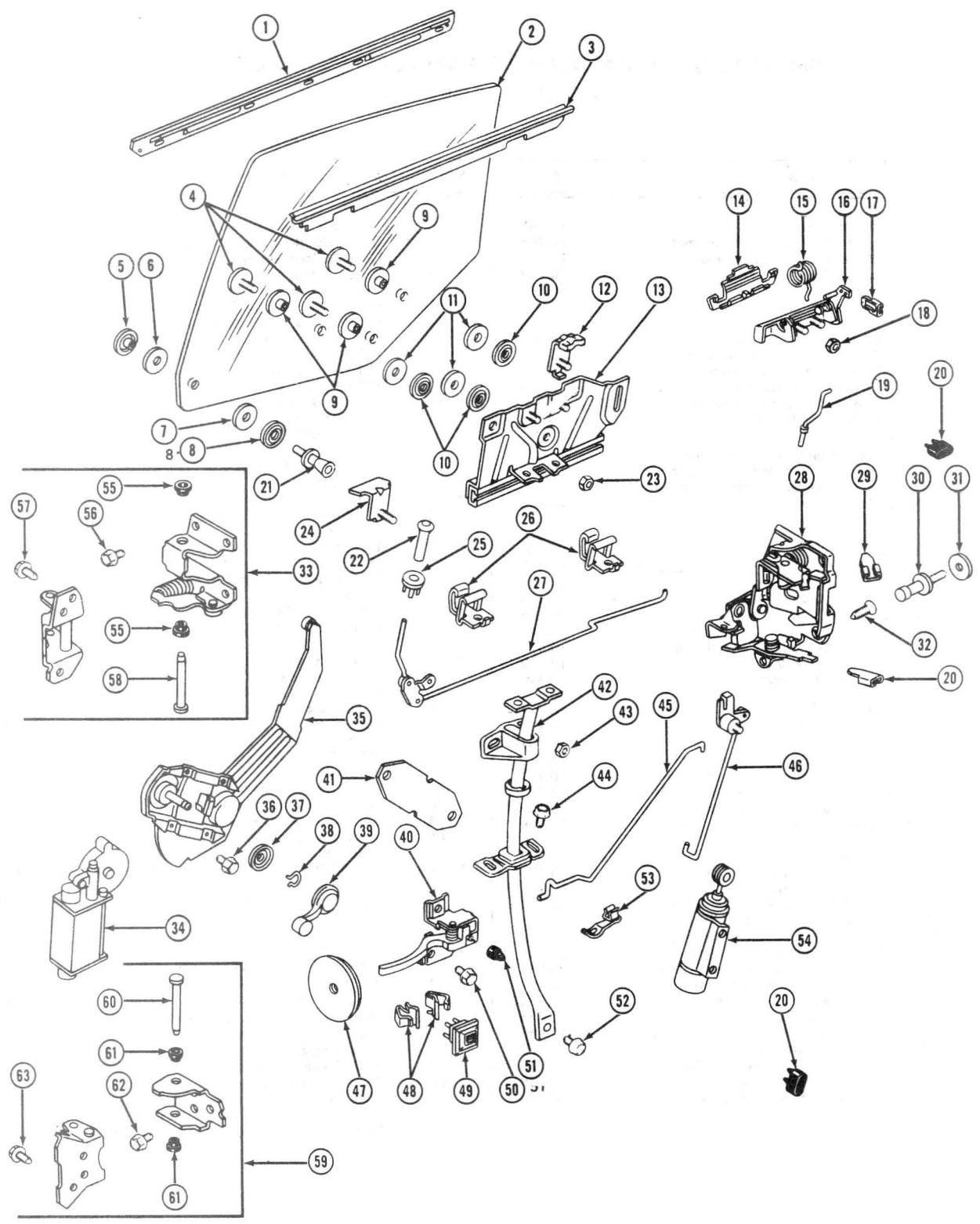
Key	Description	Group
31	Control, Door Lock Remote .....	10.500
32	Handle, Window Regulator .....	10.797
33	Plate, Control Handle Bearing .....	10.515
34	Spring, Door Remote Control Handle Retaining .....	10.512
35	Handle, Door Lock Remote Control .....	10.512
37	Bumper, Door Lock Pillar .....	10.587
38	Plate, Rear Door Sill .....	11.179
39	Switch and Escutcheon, Rear Door Window .....	10.777
40	Retainer, Rear Door Window Lift Switch Escutcheon .....	10.777
41	Clip, Door Lock Remote Control Rod .....	10.565
42	Lock, Rear Door .....	10.473
43	Rod, Rear Door Lock Remote Control to Lock .....	10.506
44	Clip, Door Remote Control to Lock Rod .....	10.506
45	Cam, Rear Door Inner Panel .....	10.792
46	Channel, Rear Door Window Glass Run .....	10.759
47	Handle, Door Outside—Less Buttons .....	10.527
48	Ring, Door Handle Push Button .....	10.529
49	Button and Shaft, Door Handle Push .....	10.529
50	Gasket, Door Outside Handle .....	10.537
51	Screw, Door Outside Handle to Door .....	10.527
52	Striker, Door Lock .....	10.569
53	Washer, Door Lock Striker .....	10.571
54	Washer, Door Lock Striker .....	10.571



**1968 REAR DOOR HARDWARE (\*HARDTOPS) (\*\*CLOSED STYLES)  
TYPICAL OF 1969-72**

**1968 REAR DOOR HARDWARE (\*HARDTOPS) (\*\*CLOSED STYLES)  
TYPICAL OF 1969-72**

Key	Description	Group	Key	Description	Group
1	CAM, door inner panel	10.792	55	GASKET, door outside handle front	10.537
2	CAM, door window lower sash channel	10.748	56	GASKET, door outside handle rear	10.537
* 3	CAM, door window glass rear guide	10.792	57	GLASS, door window	10.741
* 4	CAM, door window guide rear	10.792	* 58	PLATE, door window guide front	10.747
* 5	SCREW, door window guide to panel	10.792	* 59	PLATE, door window guide rear	10.747
* 6	CAM, door window guide front	10.792	60	PLUG, door trim pad sealing	14.691
* 7	SCREW, door window guide front to support	10.792	61	RETAINER, door window switch	10.777
** 8	CHANNEL ASSY, door window lower sash	10.747	* 62	ROLLER, door window guide front	10.747
* 9	CHANNEL ASSY, door window front sash	10.747	* 63	ROLLER, door window guide rear	10.747
10	CONTROL ASSY, door lock remote	10.500	64	STRIP, door bottom drain hole sealing	10.694
11	SCREW, door lock remote control to panel	10.500	65	STRIP, door window inner at belt	10.774
12	HANDLE, door lock remote control	10.512	66	STRIP, door window outer at belt	10.774
13	HANDLE, door outside (Oldsmobile)	10.527	67	SWITCH ASSY, door jamb	11.950
14	HANDLE, door outside less button	N.S.S.	* 68	WEATHERSTRIP ASSY, door hinge pillar at belt	10.694
15	SCREW, door outside handle to door	10.527	* 69	WEATHERSTRIP ASSY, door window frame vertical	10.764
16	BUTTON & SHAFT, door handle push	10.529	* 70	STOP, door window rear	10.768
17	RING, door handle push button sealing	10.529	* 71	SUPPORT, door window guide front cam upper	10.765
18	HINGE, door upper (Incl. Item 19-20)	10.456	* 72	FASTENER, door window glass bearing	10.685
19	BUSHING, door upper hinge	10.464	* 73	BOLT, door window glass rear guide cam	10.792
20	PIN, door upper hinge	10.466	* 74	BUSHING, door window glass rear guide cam	10.792
21	SCREW, door upper hinge to body and door	10.463	* 75	NUT, door window glass rear guide cam	10.792
22	HINGE ASSY, door lower	10.460	* 76	WASHER, door window glass rear guide cam steel	10.792
23	BUSHING, door lower hinge	10.464	* 77	WASHER, door window glass rear guide cam rubber	10.792
24	PIN, door lower hinge	10.466	* 78	BUSHING, door window guide front roller	10.792
25	SCREW, door lower hinge to body and door	10.463	* 79	NUT, door window guide front roller	10.792
26	SCREW, door lock remote control handle	10.512	* 80	WASHER, door window guide front roller rubber	10.792
27	LOCK ASSY, rear door	10.473	* 81	WASHER, door window guide front roller steel	10.792
28	SCREW, door lock to inner panel	10.474	* 82	STUD, door window cam to glass	10.792
29	CLIP, door lock spring	10.474	* 83	NUT, door window cam to glass stud	10.792
30	SPRING, door lock push button return	10.474	* 84	BUSHING, door window cam to glass stud	10.792
31	PLATE, rear door sill	11.179	* 85	WASHER, door window cam to glass stud steel	10.792
32	REGULATOR, door window	10.791	* 86	WASHER, door window cam to glass stud rubber	10.792
33	SCREW, door regulator to inner panel	10.783	87	CLIP, door lock remote control to panel	10.565
34	MOTOR, door window regulator electric	10.783	* 88	STRIP, door window anti rattle	10.774
35	REINFORCEMENT, door trim at switch	10.777	* 89	FASTENER, door hinge pillar weatherstrip	10.694
** 36	RETAINER, door window glass run	10.759	90	WASHER, door lock remote control handle	10.517
** 37	SCREW, glass run channel retainer to panel	10.759	91	HANDLE, door window regulator	10.797
* 38	STOP, door window front up	10.768	92	SPRING PACKAGE, door window regulator handle retaining	10.513
39	STRIKER, door lock	10.569	93	SPRING, door window regulator handle	10.806
40	SPACER, door lock striker metal	10.571	94	PLATE, door window regulator handle bearing	10.655
41	SPACER, door lock striker plastic	10.571	95	STRIP, sash channel front sealing	N.S.
42	SWITCH & ESCUTCHEON, door window	10.777	96	SCREW, door window rear stop	10.768
43	BUMPER, door lock pillar door side	10.587	97	SCREW, door inner panel cam to panel	10.792
* 44	BUMPER, door window guide front cam	10.768	* 98	SCREW, door window guide front to stop	10.792
* 45	BUMPER, door window guide rear cam	10.768	* 99	SCREW, door window guide front support to panel	10.792
* 46	CAP, door window glass bearing fastener	10.685			
** 47	CHANNEL, door window glass run	10.759			
48	ROD, door inside locking to lock	10.563			
49	SCREW, door inside locking to lock rod	10.556			
50	WASHER, door inside locking to lock rod	10.556			
51	ROD, door lock remote control to lock	10.506			
52	CLIP, door lock remote control to lock rod	10.565			
53	KNOB, door inside locking rod	10.559			
54	FERRULE, door inside locking rod knob	10.560			



**1973-74 REAR DOOR HARDWARE (AG29, AJ29-35)**

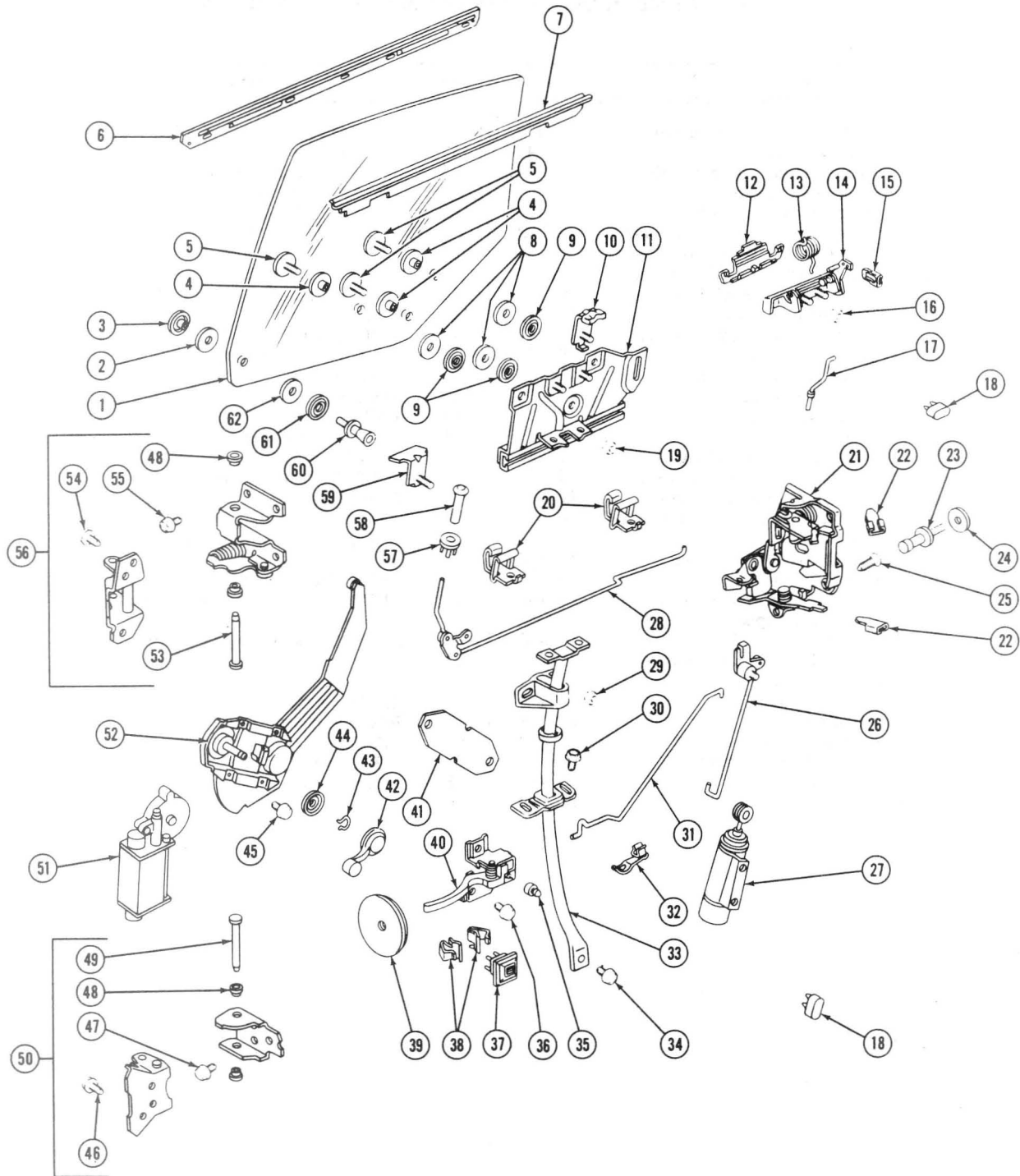


### 1973-74 REAR DOOR HARDWARE (AG29, AJ29-35)

Key	Description	Group
1	SEALING STRIP, wind. outer at belt	10.774
2	GLASS, rr. dr. window	10.741
3	SEALING STRIP, wind. inner at belt	10.774
4	SCREW, rear glass to plate	10.747
5	NUT, rear window stud to glass	10.768
6	WASHER, rr. dr. window stud to glass	10.792
7	WASHER, rr. dr. window stud to glass	10.792
8	BUSHING, rr. dr. wind. stud to glass	10.792
9	BUSHING, rr. dr. wind. sash to glass	10.792
10	NUT, rr. dr. window sash to glass	10.747
11	WASHER, rr. dr. wind. sash to glass	10.747
12	STOP, window - rear upper	10.768
13	PLATE, rear window lower sash	10.747
14	ESCUTCHEON, door handle	10.537
15	SPRING, door outside handle	10.529
16	HANDLE, rear door	10.527
17	CLIP, door outside handle spring	10.529
18	NUT, dr. outside escn. & handle to pnl.	10.527
19	ROD, rr. dr. lock to outside handle	10.563
20	BUMPER, rear door lock pillar upper & lower - door side	10.587
21	STUD, window frt. & rr. on glass	10.768
22	KNOB, rear door locking	10.559
23	NUT, rr. dr. wind. lower sash to glass	10.792
24	STOP, window - front upper	10.768
25	FERRULE, dr. locking rod knob	10.560
26	RETAINER, door trim belt support	14.683
27	ROD, inside locking rod	10.563
28	LOCK ASSY., rear door	10.473
29	CLIP, door lock spring	10.474
30	STRIKER, rear door lock	10.569
31	WASHER, lock striker to panel	10.571
32	SCREW, lock to panel	10.474
33	HINGE, rear door upper	10.456

Key	Description	Group
34	MOTOR ASSY., frt. (w/pinion & gear)	10.783
35	REGULATOR, manual	10.791
36	SCREW, regulator to inner panel	10.792
37	PLATE, window reg. handle bearing	10.665
38	SPRING PKG., Door window Regulator handle retaining	10.513
39	HANDLE, rear door window regulator	10.797
40	HANDLE, rear door lock remote control	10.512
41	PLATE, rr. dr. pull handle assist strap	14.691
42	TUBE, rear door window guide	10.767
43	NUT, guide to plate	10.728
44	SCREW, guide to plate	N. L.
45	ROD, rr. dr. lock remote cont. to lock	10.506
46	ROD, rr. dr. to actuator (w/elect. lock)	10.563
47	PAD, dr. lock remote cont. handle	10.515
48	CLIP, lock switch retaining (on door trim)	10.485
49	SWITCH & ESCN., rr. dr. (1 button)	10.777
50	SCREW, handle to inner panel	N. L.
51	BUMPER, dr. lock remote control handle	10.512
52	SCREW, tube assy. to inner panel	N. L.
53	CLIP, rear door lock remote control to panel	10.565
54	ACTUATOR, rear dr. elect. lock	10.485
55	BUSHING, rear door hinge upper - oil less type	10.464
56	SCREW, upper hinge to body	10.463
57	SCREW, upper hinge to door	10.463
58	PIN, rear door upper hinge	10.466
59	HINGE, rear door lower	10.460
60	PIN, rear door lower hinge	10.466
61	BUSHING, rr. dr. lower - oil less type	10.464
62	SCREW, lower hinge to door	10.463
63	SCREW, lower hinge to body	10.463



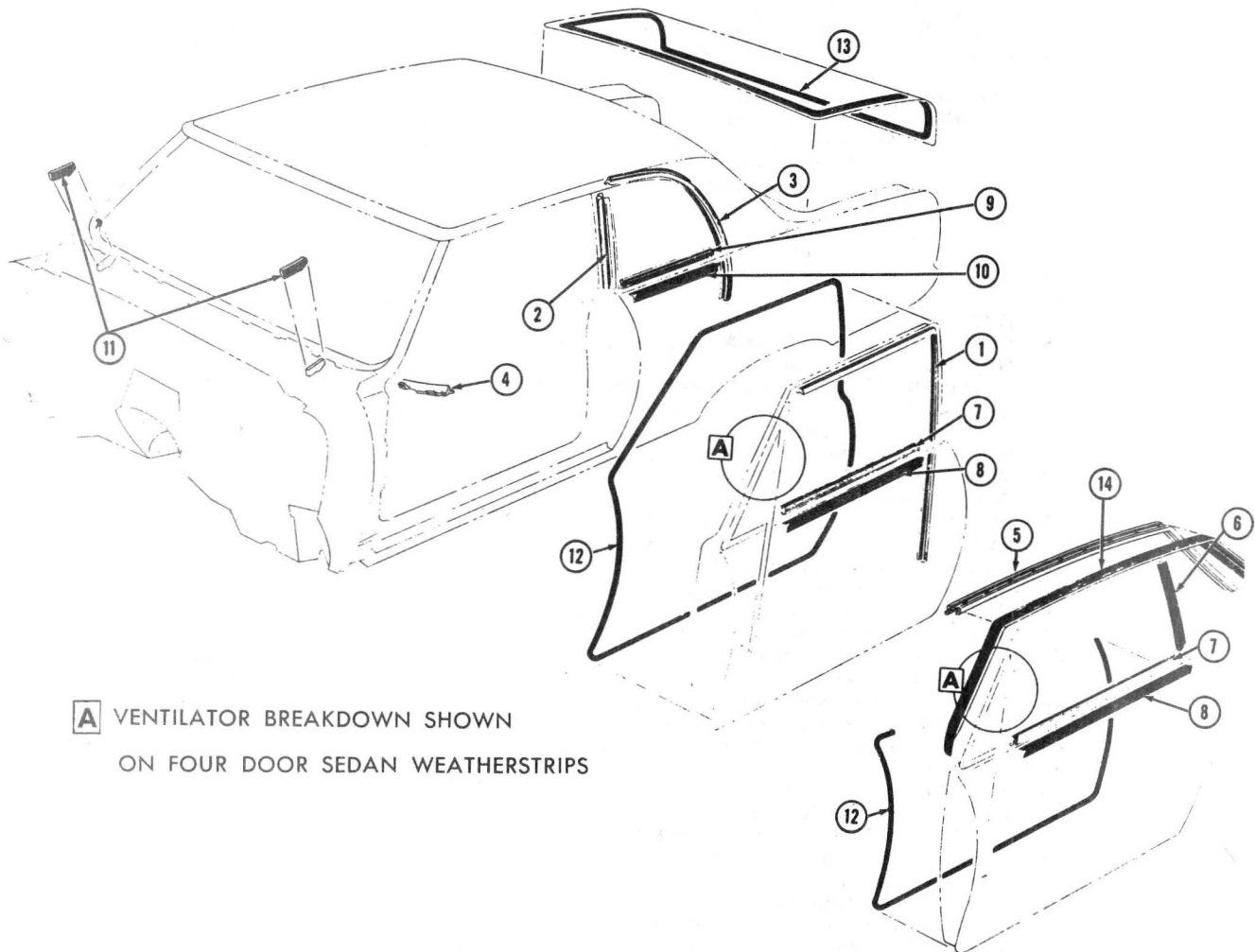


**1976 29 & 35 REAR DOOR HARDWARE**



**1976 29 & 35 REAR DOOR HARDWARE**

Key	Description	Group
1.	GLASS, Rear Door Window	10.741
2.	WASHER, Wdo. Stud Asm. to Glass	10.747
3.	NUT, Wdo. Stud Asm. to Glass	10.747
4.	BUSHING, Wdo. Sash to Glass	10.745
5.	SCREW, Wdo. Sash Glass to Plate Asm.	10.792
6.	SEALING STRIP ASM., Wdo. Outer-at Belt	10.774
7.	SEALING STRIP ASM., Wdo. Inner-at Belt	10.774
8.	WASHER, Wdo. Sash to Glass	10.745
9.	NUT, Wdo. Sash to Glass	10.792
10.	STOP ASM., Wdo.-Rear Upper	10.768
11.	PLATE ASM., Wdo. Lower Sash	10.747
12.	ESCUTCHEON, Outside Handle	10.537
13.	SPRING, Outside Handle	10.529
14.	HANDLE ASM., Door Outside	10.527
15.	CLIP, Outside Handle Spring	10.529
16.	NUT, Handle to Panel	10.527
17.	ROD, Handle to Lock	10.563
18.	BUMPER, Lock Pillar Upper & Lower-Door Side	10.587
19.	NUT, Plate to Wdo. Asm.	10.685
20.	RETAINER ASM., Belt Trim Support-Front & Rear	14.764
21.	LOCK ASM., Rear Door	10.473
22.	CLIP, Door Spring Lock	10.474
23.	STRIKER ASM., Rear Door Lock	10.569
24.	WASHER, Lock Striker to Panel	N.S.
25.	SCREW, Lock to Panel	10.474
26.	ROD ASM., Inside Locking to Actuator	10.563
27.	ACTUATOR ASM., Door Electric Lock	10.485
28.	ROD ASM., Inside Locking to Lock	10.563
29.	NUT, Guide to Plate	N.S.
30.	SCREW, Guide to Plate	N.S.
31.	ROD, Lock Remote Control to Lock	10.506
32.	CLIP, Remote Control Rod to Lock	10.565
33.	TUBE ASM., Wdo. Guide	10.767
34.	SCREW, Tube to Inner Panel	N.S.
35.	BUMPER, Handle & Control Door Lock	10.512
36.	SCREW, Handle to Inner Panel	N.S.
37.	SWITCH ASM., Door Window	10.485
38.	RETAINER, Switch to Trim Pad	10.485
39.	PAD, Lock Remote Control Handle	10.515
40.	HANDLE ASM., Door Lock Remote & Control	10.512
41.	PLATE, Pull Handle Assist Strap	14.691
42.	HANDLE ASM., Wdo. Regulator	10.797
43.	SPRING, Wdo. Regulator Handle	10.797
44.	PLATE, Wdo. Regulator Handle Bearing	10.515
45.	SCREW, Regulator to Inner Panel	10.792
46.	SCREW, Lower Hinge to Door	10.463
47.	SCREW, Lower Hinge to Body	10.463
48.	BUSHING, Door Hinge Lower-Door Side	10.464
49.	PIN, Door Hinge-Lower	10.466
50.	HINGE ASM., Door-Lower	10.460
51.	MOTOR ASM., Door Window-Electric	10.791
52.	REGULATOR ASM., Door Window-Manual	10.791
53.	PIN, Door Upper Hinge	10.466
54.	SCREW, Upper Hinge to Door	10.463
55.	SCREW, Upper Hinge to Body	10.463
56.	HINGE ASM., Rear Door-Upper	10.456
57.	FERRULE, Inside Locking Rod Knob	10.560
58.	KNOB, Inside Locking to Lock	10.559
59.	STOP ASM., Wdo.-Front Upper	10.768
60.	STUD ASM., Wdo.-on Glass (Used as Stop)	10.768
61.	BUSHING, Wdo. Stud Asm. to Glass	10.745
62.	WASHER, Wdo. Stud Asm. to Glass	11.007

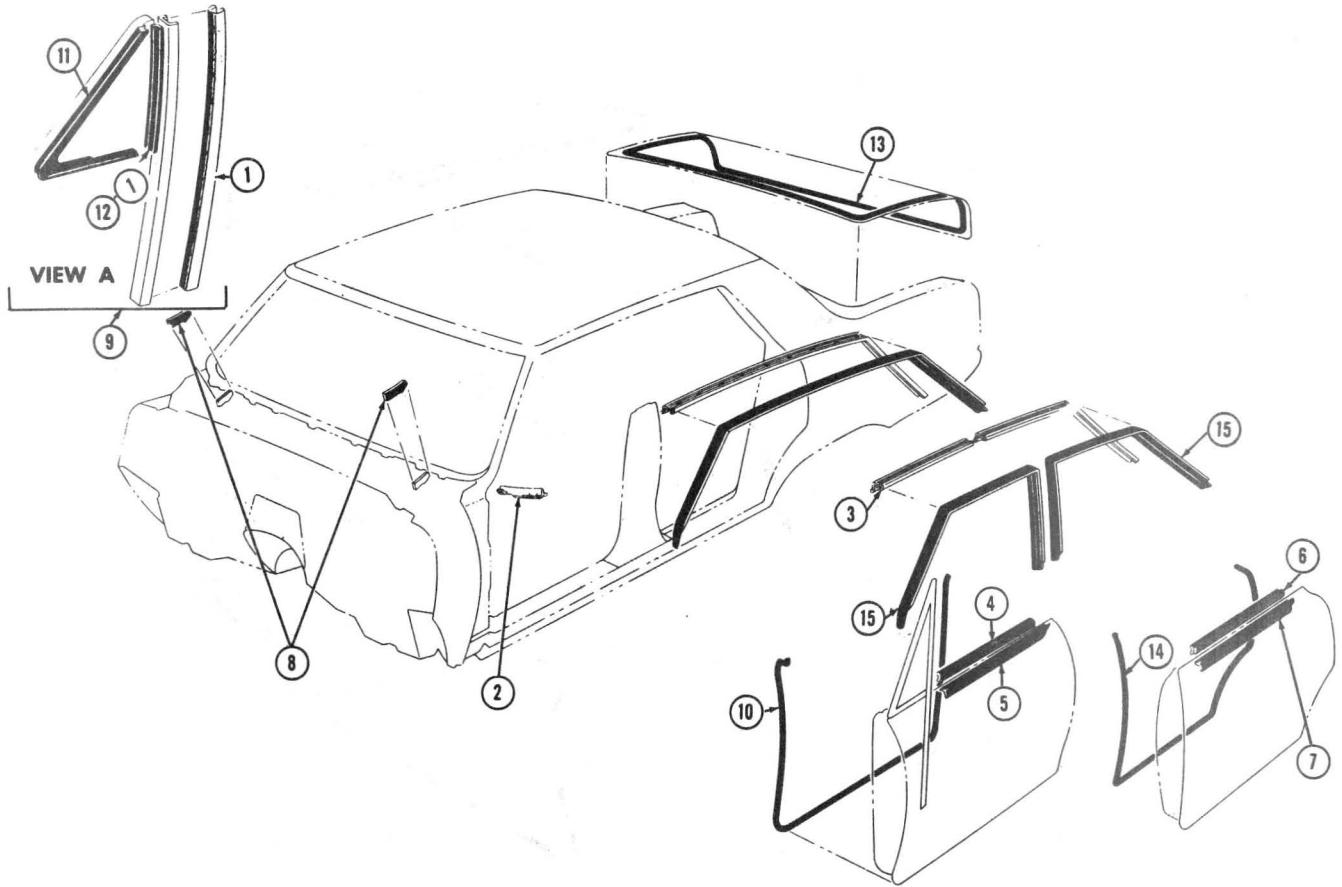


**A** VENTILATOR BREAKDOWN SHOWN  
ON FOUR DOOR SEDAN WEATHERSTRIPS

**2 DOOR WEATHERSTRIPS — SEDAN AND HARDTOP  
(TYPICAL)**

Key	Description	Group
1	Channel, door window glass run	10.701
2	Channel, quarter window glass run—front	11.021
3	Channel, quarter window glass run—rear	11.021
4	Retainer, windshield pillar weatherstrip	10.093
5	Retainer, side roof rail weatherstrip	10.721
6	Weatherstrip, rear quarter window frame	11.015
7	Strip, front door window glass run—inner	10.710

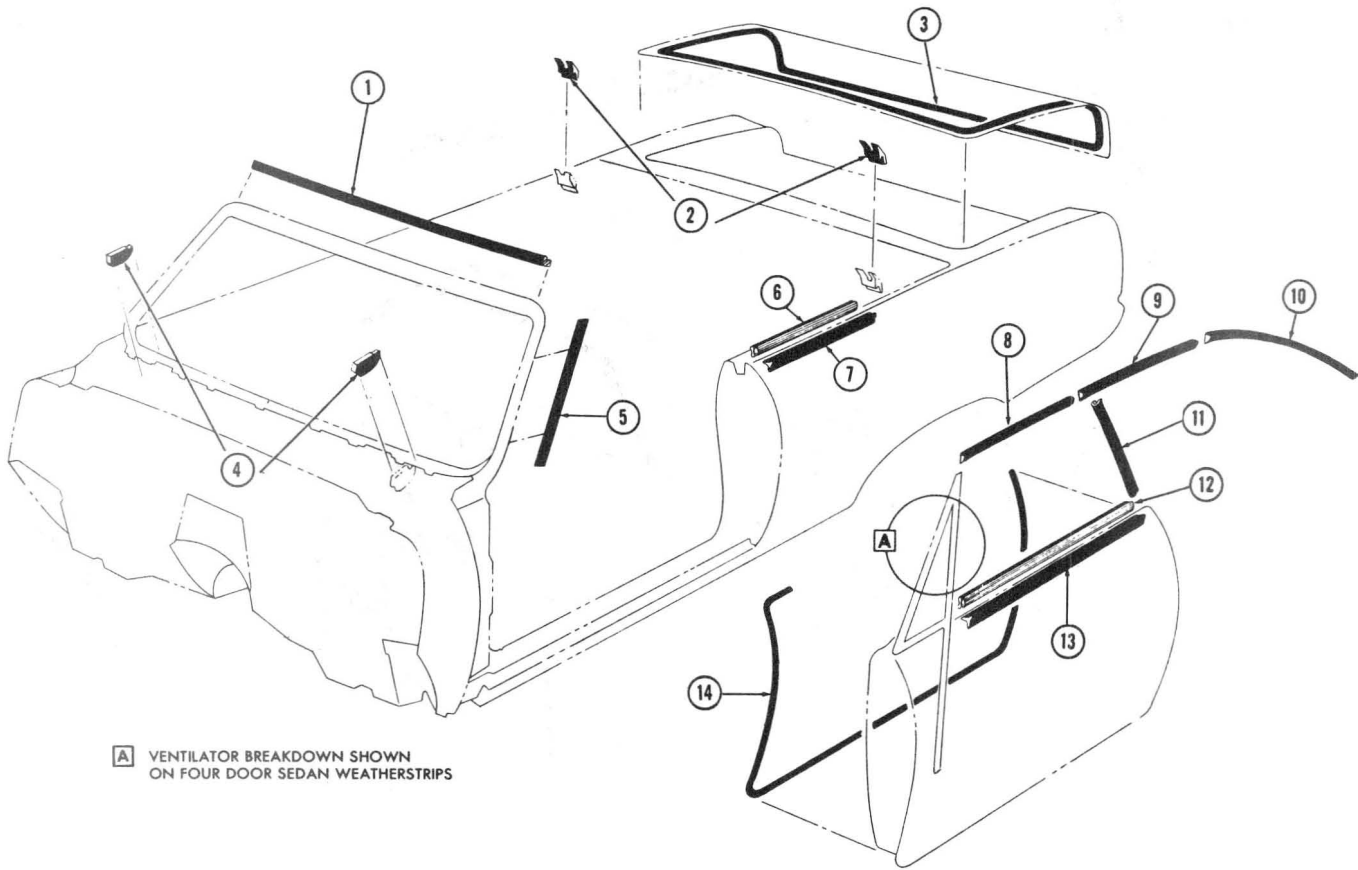
Key	Description	Group
8	Strip, front door window glass run—outer	10.710
9	Strip, quarter window glass run inner	11.015
10	Strip, quarter window glass run outer	11.015
11	Strip, shroud vent grille sealing	12.800
12	Weatherstrip, front door	10.694
13	Weatherstrip, rear compartment lid gutter	12.269
14	Weatherstrip, side roof rail	10.721



**4 DOOR WEATHERSTRIPS**  
 (TYPICAL)

Key	Description	Group
1	Channel, front door window glass run .....	10.701
2	Fastener, weatherstrip .....	10.694
3	Retainer, side roof rail weatherstrip .....	10.721
4	Strip, front door window glass run inner .....	10.710
5	Strip, front door window glass run outer .....	10.710
6	Strip, rear door window glass run inner .....	10.774
7	Strip, rear door window glass run outer .....	10.774
8	Strip, shroud vent grille sealing .....	12.800

Key	Description	Group
9	Ventilator, front door—less glass .....	10.650
10	Weatherstrip, front door .....	10.694
11	Weatherstrip, front door ventilator .....	10.652
12	Weatherstrip, front door vent division channel .....	10.652
13	Weatherstrip, rear compartment lid gutter .....	12.269
14	Weatherstrip, rear door .....	10.694
15	Weatherstrip, side roof rail .....	10.721

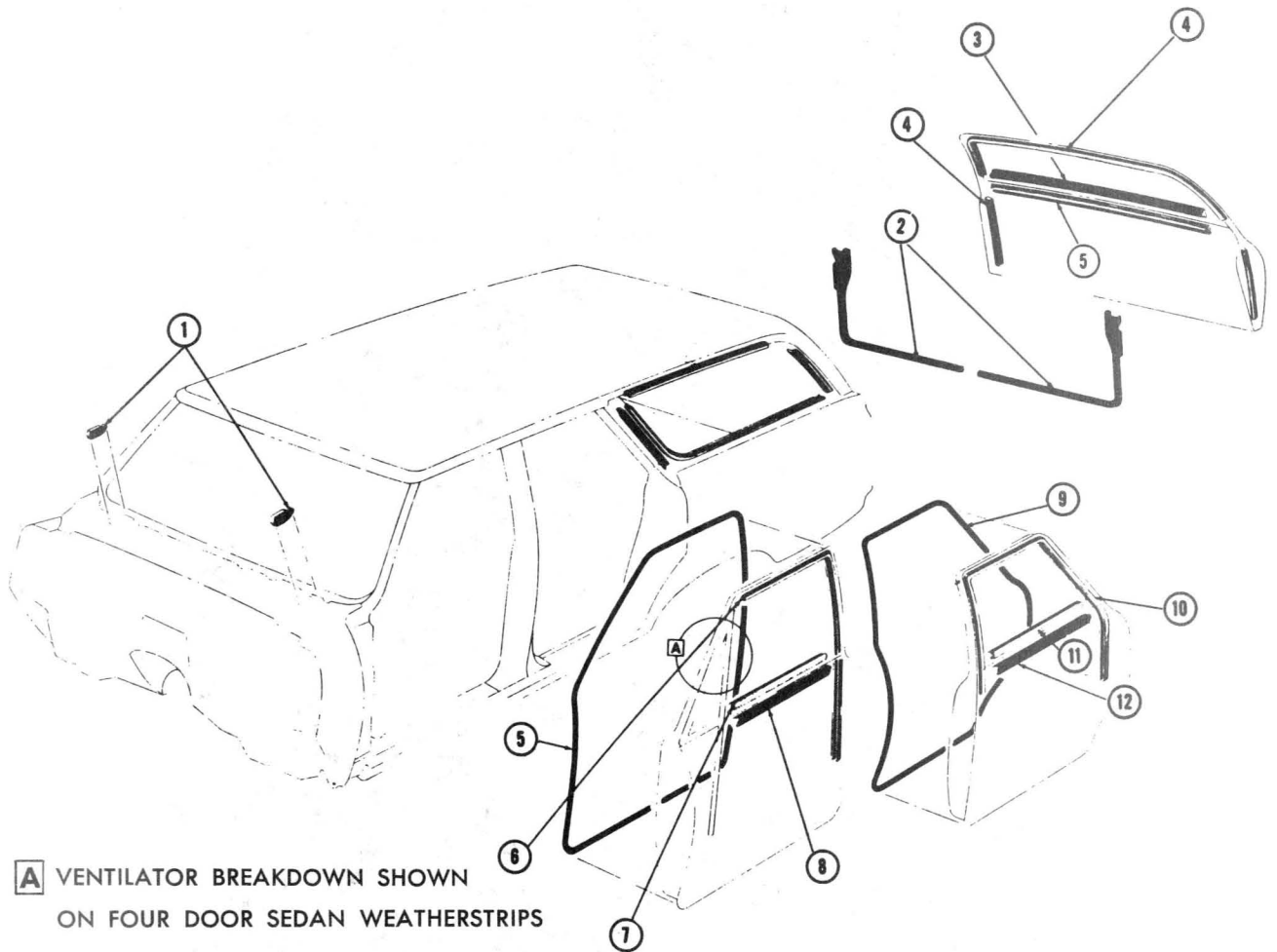


**A** VENTILATOR BREAKDOWN SHOWN ON FOUR DOOR SEDAN WEATHERSTRIPS

**CONVERTIBLE WEATHERSTRIPS  
(TYPICAL)**

Key	Description	Group
1	Weatherstrip, front roof rail front .....	14.060
2	Weatherstrip, folding top compartment side panel .....	13.352
3	Weatherstrip, rear compartment lid gutter .....	12.269
4	Strip, shroud vent grille sealing .....	12.800
5	Weatherstrip, windshield pillar .....	10.694
6	Strip, quarter window glass run—inner .....	11.015
7	Strip, quarter window glass run—outer .....	11.015

Key	Description	Group
8	Weatherstrip, side roof front rail .....	14.120
9	Weatherstrip, side roof centre rail .....	14.190
10	Weatherstrip, side roof rear rail .....	14.260
11	Weatherstrip, rear quarter window frame .....	11.015
12	Strip, front door window glass run—inner .....	10.710
13	Strip, front door window glass run—outer .....	10.710
14	Weatherstrip, front door .....	10.694

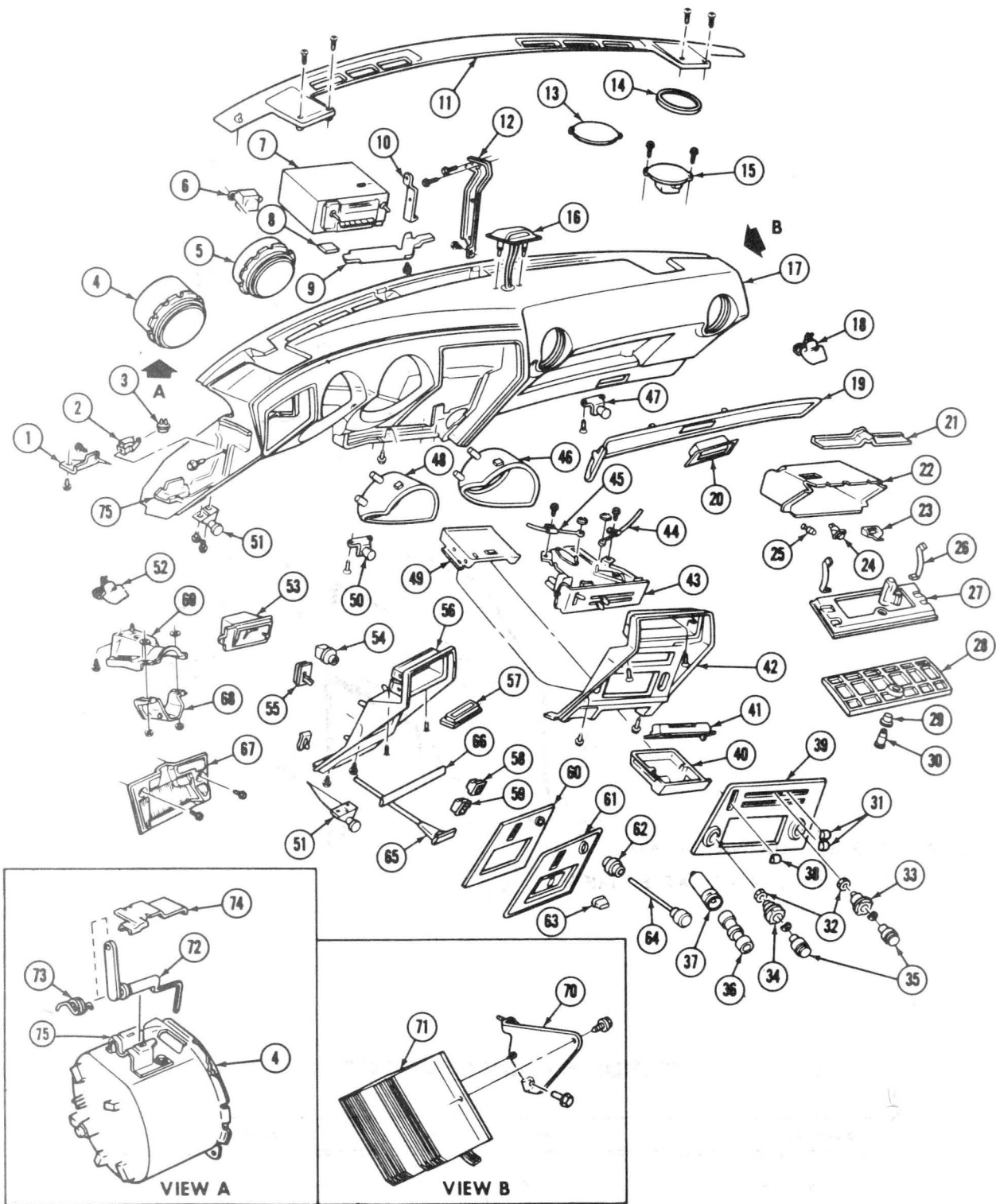


**A** VENTILATOR BREAKDOWN SHOWN  
 ON FOUR DOOR SEDAN WEATHERSTRIPS

**STATION WAGON WEATHERSTRIPS**

Key	Description	Group
1	Strip, Shroud Vent Grille Sealing .....	12.800
2	Weatherstrip, Tail Gate Opening .....	12.269
3	Strip, Tail Gate Window Reveal Moulding .....	12.180
4	Channel, Tail Gate Window Glass Run .....	12.180
5	Weatherstrip, Front Door .....	10.694
6	Channel, Door Window Glass Run .....	10.701

Key	Description	Group
7	Strip, Front Door Window Glass Run Inner .....	10.710
8	Strip, Front Door Window Glass Run Outer .....	10.710
9	Weatherstrip, Rear Door .....	10.694
10	Channel, Door Window Glass Run .....	10.759
11	Strip, Rear Door Window Glass Run Inner .....	10.774
12	Strip, Rear Door Window Glass Run Outer .....	10.774

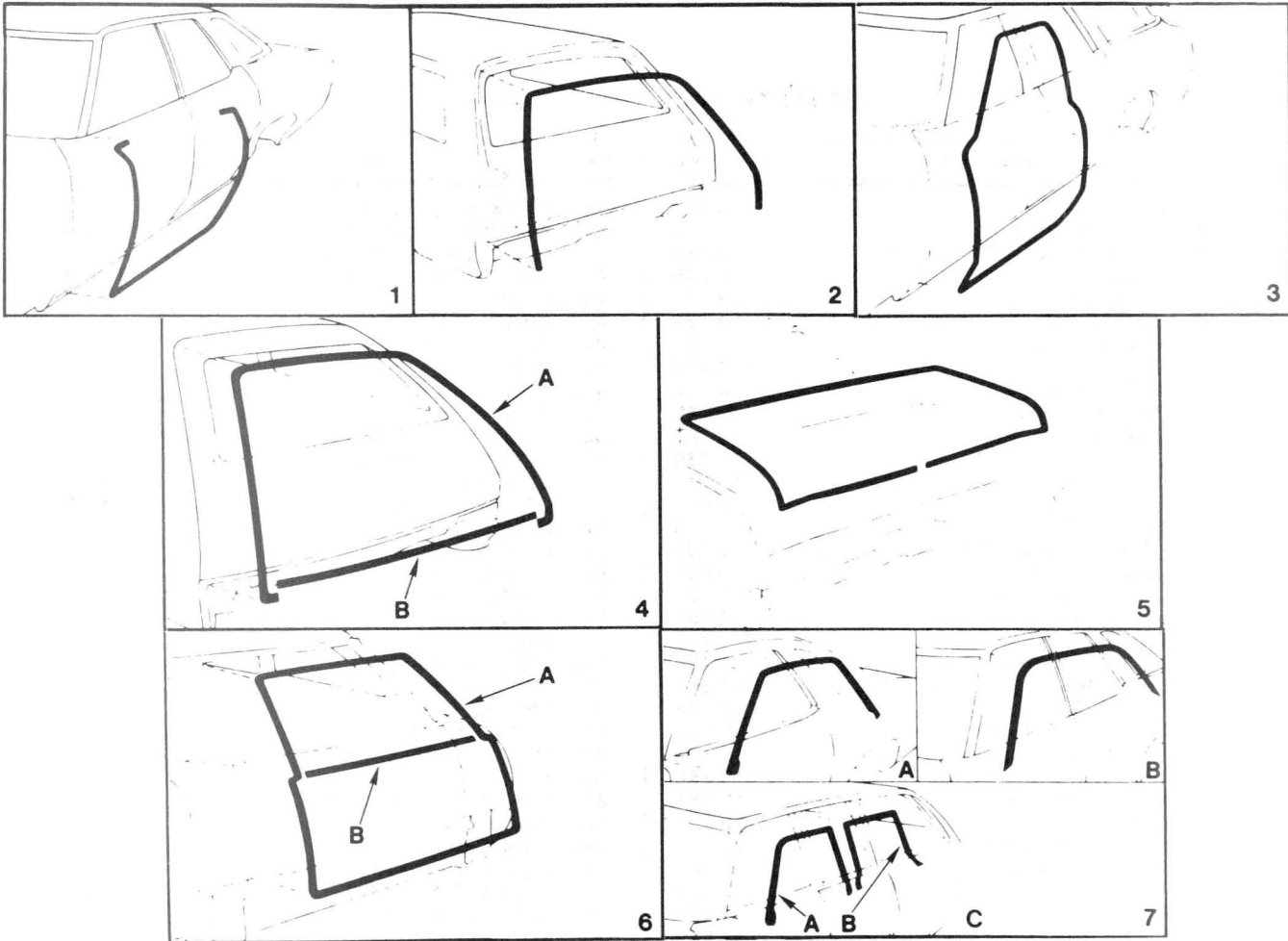


**1976 INSTRUMENT PANEL DETAILS**

**1976 INSTRUMENT PANEL DETAILS**

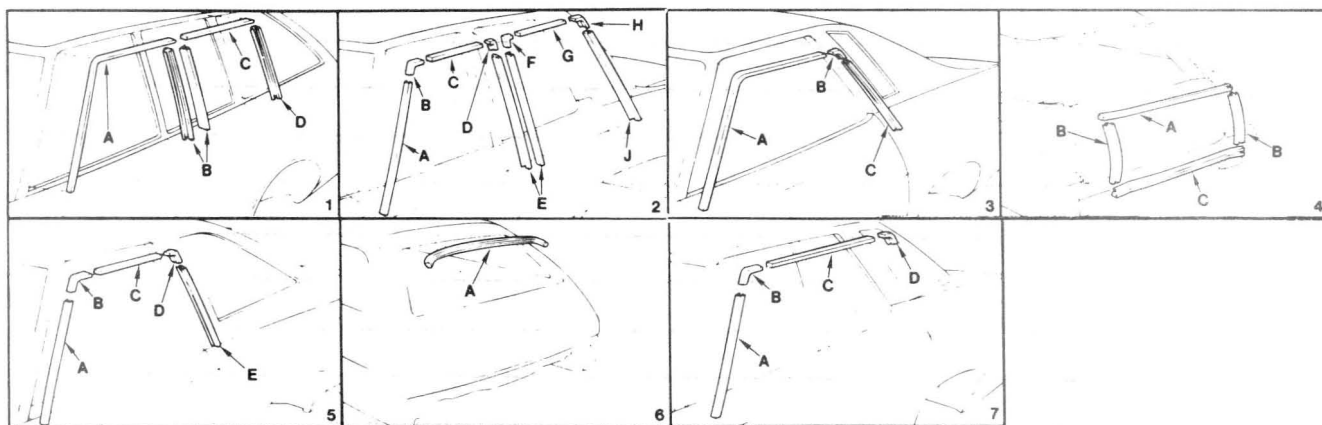
Key	Description	Group	Key	Description	Group
1.	BRACKET, Tie Bar	10.230	38.	KNOB, Blower Switch	8.852
2.	CLIP, Flasher Mtg.	2.892	39.	APPLIQUE, Control Panel	10.252
3.	FLASHER ASM., Turn Signal	2.892	40.	DOOR & RECEIVER, Ash Tray	12.009
4.	CLUSTER	9.735	41.	LAMP ASM., Inst. Panel	10.275
5.	CLUSTER	9.735	42.	PANEL, RH	10.252
6.	BUZZER, Speed Warning	9.762	43.	CONTROL, Heater	8.849
7.	RADIO	9.650	44.	CABLE KIT, Heater at Dash	8.849
8.	PAD	9.670	45.	CABLE KIT, Heater at Dash	8.849
9.	BAR, Inst. Pnl. Lwr. Tie	10.230	46.	BEZEL, Inst. Pnl. Cluster	9.743
10.	BRACKET, Radio Side	9.655	47.	CONTROL, Vent	9.787
11.	COVER, Inst. Pnl. Upper	10.256	48.	BEZEL, Inst. Pnl. Cluster	9.743
12.	SUPPORT, Inst. Pnl. Cntr.	10.230	49.	HOUSING, Ash Tray	12.011
13.	COVER, Speaker Hole	10.256	50.	CONTROL, Vent	9.787
14.	GASKET, Speaker	9.650	51.	CONTROL, Vent	9.787
15.	SPEAKER, Front	9.650	52.	LAMP, Inst. Pnl. Courtesy	2.776
16.	HOUSING AND BASE	9.765	53.	CLOCK	9.772
17.	PAD, Inst. Panel	14.655	54.	SWITCH, Light Control	2.485
18.	LAMP, Inst. Pnl. Courtesy	2.776	55.	SWITCH, Wiper	10.163
19.	MOLDING, Inst. Pnl. Lower	10.252	56.	PANEL, LH	10.252
20.	OUTLET	9.262	57.	LAMP ASM., Inst. Panel	10.275
21.	REINFORCEMENT, Door Striker	10.268	58.	SWITCH, Rear Window Defogger	9.778
22.	BOX ASM.	10.260	59.	SWITCH, Cruise Control	3.883
23.	LAMP ASM., Glove Box	10.275	60.	APPLIQUE	10.252
24.	SWITCH ASM., In Glove Box	12.243	61.	APPLIQUE	10.252
25.	SWITCH ASM., Glove Box Lamp	10.275	62.	ESCUTCHEON, Light Switch Control	2.487
26.	STOP, Door	10.268	63.	KNOB, Wiper Switch	10.164
27.	PANEL, Door Inner	10.261	64.	CONTROL, Light Switch	2.486
28.	PANEL, Door Outer	10.261	65.	CABLE, Release w/Handle	4.779
29.	ESCUTCHEON, Glove Box Door Lock	10.267	66.	NAMEPLATE	10.254
30.	LOCK CYLINDER, Glove Box	10.266	67.	COVER, Steering Column Floor	6.758
31.	KNOB, Heater Control	8.852	68.	BRACKET ASM., Column Guide	6.760
32.	NUT, Radio to I.P.	9.667	69.	BRACKET, Column Supt.	6.760
33.	KNOB, Radio	9.649	70.	BRACKET, Convectur	9.670
34.	KNOB, Radio	9.649	71.	CONVECTOR, Tape Player	9.670
35.	KNOB, Radio	9.649	72.	NEEDLE, Shift Indicator	4.020
36.	KNOB, w/Element	9.709	73.	SPRING, Indicator Needle	4.022
37.	CASE	9.709	74.	COVER, Shift Indicator Hsg.	4.020
			75.	BRACKET, Inst. Cluster Shift Indicator Mounting	9.743





**1976 TYPICAL WEATHERSTRIPS**

ITEM	STYLES	DESCRIPTION	GROUP NO.
1.	A-29, 35, 37, 57, 80 B-39, 49, 47, 57 C-37, 47, 39, 49, 69 D-23, 33 E-57, 87, 67 F-87	Weatherstrip Asm — Front Door .....	10.694
2.	H-05, 15	Weatherstrip Asm — Back Door Body Side .....	12.269
3.	B-35, 45, 69 X-All H-All TB08 KS69	Weatherstrip Asm — Front Door .....	10.694
4.	A-35	a. Weatherstrip — Tail Gate Opening — Complete .....	12.269
		b. Weatherstrip — Tail Gate — Lower .....	12.269
5.	Typical — All	Weatherstrip — Compartment Lid Gutter (25 Ft Roll) .....	12.269
6.	B-35, 45	a. Weatherstrip — Tail Gate Opening — Complete .....	12.269
		b. Weatherstrip — Tail Gate — at Belt .....	12.269
7A.	All Coupes	Weatherstrip Asm — Side Roof Rail .....	10.721
7B.	B-39, 49 C-39	Weatherstrip Asm — Side Roof Rail .....	10.721
7C.	A-29, 35	a. Weatherstrip — Side Roof Rail .....	10.721
		b. Weatherstrip — Side Roof Rail .....	10.721
	C-69	a. Weatherstrip — Side Roof Rail — Front .....	10.721
	D-23, 33	b. Weatherstrip — Side Roof Rail — Rear .....	10.721
	C-69	b. Weatherstrip — Side Roof Rail — Rear .....	10.721
	D-23, 33	b. Weatherstrip — Rear Door Window Frame .....	10.764



### 1976 TYPICAL WEATHERSTRIP RETAINERS

ITEM	STYLE	DESCRIPTION	GROUP NO.
1.	A-29, 35	a. Retainer Asm. — Side Roof Rail Front .....	10.721
		b. Retainer — Center Pillar — Front and Rear .....	10.730
		c. Retainer Asm — Side Roof Rail — Rear .....	10.721
		d. Side Roof Rail Lock Pillar .....	10.721
2.	C-69 D-23, 33	a. Retainer — Windshield Pillar .....	10.093
		b. Retainer Asm — Windshield Pillar Upper Corner .....	10.093
		c. Retainer — Side Roof Rail — Upper Front .....	10.721
		d. Retainer — Center Pillar Front Upper Rear Corner .....	10.730
		e. Retainer — Center Pillar Front and Rear Above Belt .....	10.730
		f. Retainer — Asm Center Pillar Rear Upper Front Corner (C-69) .....	10.730
		Retainer — Asm — Rear Door Window Frame Upper Front Corner (D-23, 33) .....	10.763
		g. Retainer Asm — Side Roof Rail Upper Rear (C-69) .....	10.730
		Retainer Asm — Rear Door Window Frame Upper (D-23, 33) .....	10.763
		h. Retainer Asm — Side Roof Rail Upper Rear Corner (C-69) .....	10.730
Retainer Asm — Rear Door Window Frame Upper Rear Corner (D-23, 33) .....	10.763		
3.	A-37, 57, 80 G-57 F-87	j. Retainer — Side Roof Rail Lower Rear (C-69) .....	10.721
		Retainer — Rear Door Window Frame Rear (D-23, 33) .....	10.764
		a. Retainer — Side Roof Rail — Front .....	10.721
		b. Retainer — Side Roof Rail — Upper Corner (F-87 Only) .....	10.721
4.	B-35, 45 (Rear View)	c. Retainer — Body Lock Pillar — Above Belt (F-87 Only) .....	10.721
		Retainer — Side Roof Rail — Rear (A-80 Only) .....	10.721
		Retainer — Side Roof Rail — Lock Pillar (A-37, 57) .....	10.721
		a. Retainer — Tail Gate — At Belt .....	12.269
5.	B-47 C-37, 47, 39, 49 E-47, 57, 87	b. Retainer — Opening — Side — Lower .....	12.269
		c. Retainer — Tail Gate Opening — On Cross Bar .....	12.269
		a. Retainer — Windshield Pillar .....	10.093
		b. Retainer Asm — Windshield Pillar Upper Corner .....	10.093
6.	A-35 (Rear View)	c. Retainer Asm — Side Roof Rail .....	10.721
		d. Retainer Asm — Body Lock Pillar Upper Corner .....	10.721
		e. Retainer — Body Lock Pillar Upper .....	10.721
		a. Retainer — Back Body Opening — Upper .....	12.269
7.	B-39, 57	a. Retainer — Windshield Pillar .....	10.093
		b. Retainer Asm — Windshield Pillar Upper — Corner .....	10.093
		c. Retainer Asm — Side Roof Rail .....	10.721
		d. Retainer Asm — Body Lock Pillar — Upper Corner .....	10.721

